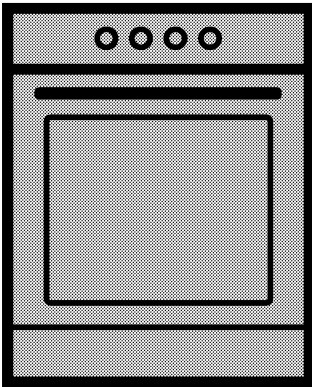


Oven

User manual



FFSS52010GW

FFSS52010GS

EN | RU | KK

485.3019.49/R.AA/06.02.2019

Please read this user manual first!

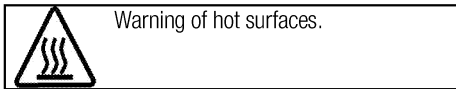
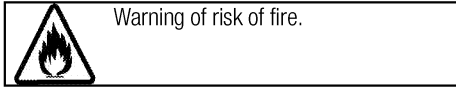
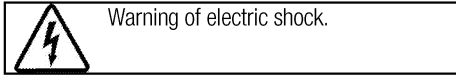
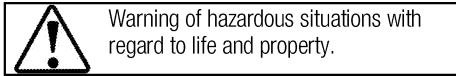
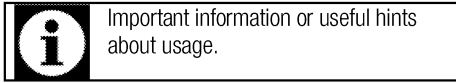
Dear Customer,

Thank you for purchasing this Beko product. We hope that you get the best results from your product which has been manufactured with high quality and state-of-the-art technology. Therefore, please read this entire user manual and all other accompanying documents carefully before using the product and keep it as a reference for future use. If you handover the product to someone else, give the user manual as well. Follow all warnings and information in the user manual.

Remember that this user manual is also applicable for several other models. Differences between models will be identified in the manual.

Explanation of symbols

Throughout this user manual the following symbols are used:



Arçelik A.Ş.
Karaağaç caddesi No:2-6
34445 Sütlüce/İstanbul/TURKEY
Made in TURKEY

TABLE OF CONTENTS

1 Important instructions and warnings for safety and environment 4

General safety	4
Safety when working with gas.....	4
Electrical safety	6
Product safety	7
Intended use	9
Safety for children.....	9
Disposing of the old product.....	9
Package information	9

2 General information 10

Overview	10
Package contents	11
Technical specifications	12
Injector table	12

3 Installation 13

Before installation	13
Installation and connection	14
Gas conversion.....	17
Future Transportation.....	18

4 Preparation 19

Tips for saving energy	19
Initial use.....	19
First cleaning of the appliance	19
Initial heating.....	19

5 How to use the hob 20

General information about cooking	20
Using the hobs.....	20

6 How to operate the oven 22

General information on baking, roasting and grilling.....	22
How to operate the electric oven	22
Operating modes.....	23
Cooking times table.....	23
How to operate the grill.....	24
Cooking times table for grilling.....	24

7 Maintenance and care 25

General information.....	25
Cleaning the hob.....	25
Cleaning the control panel	25
Cleaning the oven	25
Removing the oven door	26
Removing the door inner glass.....	26
Replacing the oven lamp.....	27

8 Troubleshooting 29

1 Important instructions and warnings for safety and environment

This section contains safety instructions that will help protect from risk of personal injury or property damage. Failure to follow these instructions shall void any warranty.

General safety

- This appliance can be used by children aged from 8 years and above and persons with reduced physical, sensory or mental capabilities or lack of experience and knowledge if they have been given supervision or instruction concerning use of the appliance in a safe way and understand the hazards involved.

Children shall not play with the appliance. Cleaning and user maintenance shall not be made by children without supervision.

- The appliance is not to be used by persons (including children) with reduced physical, sensory or mental capabilities, or lack of experience and knowledge, unless they have been given supervision or instruction. Children should be supervised and ensure they do not play with the appliance
- If the product is handed over to someone else for personal use or second-hand use purposes, the user manual, product labels and

other relevant documents and parts should be also given.

- Never place the product on a carpet-covered floor. Otherwise, lack of airflow beneath the product will cause electrical parts to overheat. This will cause problems with your product.
- Installation and repair procedures must always be performed by Authorised Service Agents. The manufacturer shall not be held responsible for damages arising from procedures carried out by unauthorised persons which may also void the warranty. Before installation, read the instructions carefully.
- Do not operate the product if it is defective or has any visible damage.
- Ensure that the product function knobs are switched off after every use.

Safety when working with gas

- Any works on gas equipment and systems may only be carried out by authorised qualified persons who are Gas Safe registered.
- Prior to the installation, ensure that the local distribution conditions (nature of the gas and gas pressure) and the adjustment of the appliance are compatible.

- This appliance is not connected to a combustion products or evacuation device. It shall be installed and connected in accordance with current installation regulations. Particular attention shall be given to the relevant requirements regarding ventilation; See *Before installation, page 13*
 - CAUTION: The use of gas cooking appliance results in the production of heat and moisture in the room in which it is installed. Ensure that the kitchen is well ventilated: keep natural ventilation holes open or install a mechanical ventilation device (mechanical extractor hood). Prolonged intensive use of the appliance may call for additional ventilation, for example increasing the level of the mechanical ventilation where present.
 - Gas appliances and systems must be regularly checked for proper functioning. Regulator, hose and its clamp must be checked regularly and replaced within the periods recommended by its manufacturer or when necessary.
 - Clean the gas burners regularly. The flames should be blue and burn evenly.
 - This product should be used in a room which incorporates a properly adjusted and functioning Carbon Monoxide sensor. Make sure the Carbon Monoxide sensor works properly and is maintained frequently. Carbon Monoxide sensor should be installed maximum 2 meters away from the product.
 - Good combustion is required in gas appliances. In case of incomplete combustion, carbon monoxide (CO) might develop. Carbon monoxide is a colourless, odourless and very toxic gas, which has a lethal effect even in very small doses.
 - Request information about gas emergency telephone numbers and safety measures in case of gas smell from you local gas provider.
- What to do when you smell gas**
- Do not use open flame or do not smoke. Do not operate any electrical buttons (e.g. lamp button, door bell and etc.) Do not use fixed or mobile phones. Risk of explosion and toxication!
 - Open doors and windows.
 - Turn off all valves on gas appliances and gas meter at the main control valve, unless it's in a confined space or cellar.
 - Check all tubes and connections for tightness. If you still smell gas leave the property.

- Warn the neighbours.
- Call the fire-brigade. Use a telephone outside the house.
- Do not re-enter the property until you are told it is safe to do so.

Electrical safety

- If the product has a failure, it should not be operated unless it is repaired by an Authorised Service Agent. There is the risk of electric shock!
- Only connect the product to a grounded outlet/line with the voltage and protection as specified in the “Technical specifications”. Have the grounding installation made by a qualified electrician while using the product with or without a transformer. Our company shall not be liable for any problems arising due to the product not being earthed in accordance with the local regulations.
- Never wash the product by spreading or pouring water onto it! There is the risk of electric shock!
- Never touch the plug with wet hands! Never unplug by pulling on the cable, always pull out by holding the plug.
- The product must be disconnected during installation, maintenance, cleaning and repairing procedures.
- If the power connection cable for the product is damaged, it must be replaced by the manufacturer, its service agent or similarly qualified persons in order to avoid a hazard.
- The appliance must be installed so that it can be completely disconnected from the mains supply. The separation must be provided by a switch built into the fixed electrical installation, according to construction regulations.
- Rear surface of the oven gets hot when it is in use. Make sure that the gas/electrical connection does not contact the rear surface; otherwise, connections can get damaged.
- Do not trap the mains cable between the oven door and frame and do not route it over hot surfaces. Otherwise, cable insulation may melt and cause fire as a result of short circuit.
- Any work on electrical equipment and systems should only be carried out by authorised and qualified persons.
- In case of any damage, switch off the product and disconnect it from the mains. To do this, turn off the fuse at home.
- Make sure that fuse rating is compatible with the product.

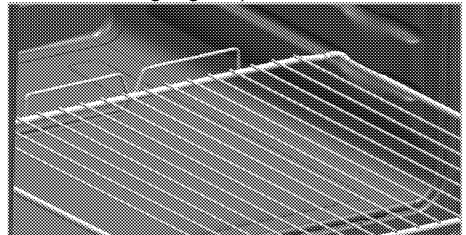
Product safety

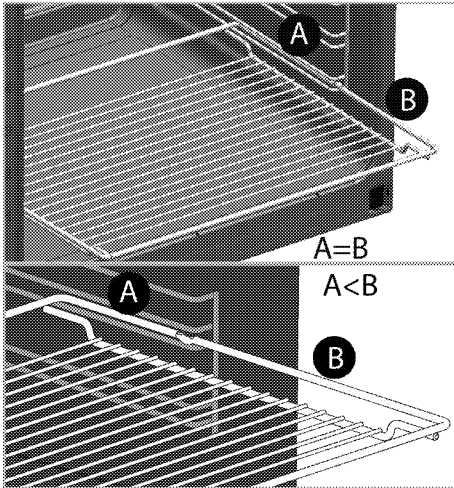
- **WARNING:** The appliance and its accessible parts become hot during use. Care should be taken to avoid touching heating elements. Children less than 8 years of age shall be kept away unless continuously supervised.
- Never use the product when your judgment or coordination is impaired by the use of alcohol and/or drugs.
- Be careful when using alcoholic drinks in your dishes. Alcohol evaporates at high temperatures and may cause fire since it can ignite when it comes into contact with hot surfaces.
- Food Poisoning Hazard: Do not let food sit in oven for more than 1 hour before or after cooking. Doing so can result in food poisoning or sickness.
- Do not place any flammable materials close to the product as the sides may become hot during use.
- During use the appliances becomes hot. Care should be taken to avoid touching heating elements inside the oven.
- Keep all ventilation slots clear of obstructions.
- Do not heat closed tins and glass jars in the oven. The pressure

that would build-up in the tin/jar may cause it to burst.

- Do not place baking trays, dishes or aluminium foil directly onto the bottom of the oven. The heat accumulation might damage the bottom of the oven.
- Do not use harsh abrasive cleaners or sharp metal scrapers to clean the oven door glass since they can scratch the surface, which may result in shattering of the glass.
- Do not use steam cleaners to clean the appliance as this may cause an electric shock.
- (Varies depending on the product model.)

Placing the wire shelf and tray onto the wire racks properly. It is important to place the wire shelf and/or tray onto the rack properly. Slide the wire shelf or tray between 2 rails and make sure that it is balanced before placing food on it (Please see the following figure).





- Do not use the product if the front door glass removed or cracked.
- Do not use the oven handle to hang towels for drying. Do not hang up towel, gloves, or similar textile products when the grill function is at open door.
- Always use heat resistant oven gloves when putting in or removing dishes into/from the hot oven.
- Place the baking paper into the cooking pot or on to the oven accessory (tray, wire grill etc) together with the food and then insert all into the preheated oven. Remove the excess parts of the baking paper overflowing from the accessory or the pot in order to prevent the risk of touching the oven's heating elements. Never use the baking paper in an operating temperature higher than the indicated value for the

baking paper. Do not place the baking paper directly on the base of the oven.

- **WARNING:** Ensure that power cord of the appliance is unplugged or circuit breaker is switched off before replacing the lamp to avoid the possibility of electric shock.
- The appliance must not be installed behind a decorative door in order to avoid overheating.
- Product must be placed directly on the floor. It must not be placed onto a base or a pedestal.
- **WARNING:** Unattended cooking on a hob with fat or oil can be dangerous and may result in fire. NEVER try to extinguish a fire with water, but switch off the appliance and then cover flame e.g. with a lid or a fire blanket.
- **CAUTION:** The cooking process has to be supervised. A short term cooking process has to be supervised continuously.
- **WARNING:** Danger of fire: Do not store items on the cooking surfaces.

Prevention against possible fire risk!

- Ensure all electrical connections are secure and tight to prevent risk of arcing.
- Do not use damaged cables or extension cables.

- Ensure liquid or moisture is not accessible to the electrical connection point.
- To prevent gas leakage ensure that the gas connection is sound.

Intended use

- This product is designed for domestic use. Commercial use will void the guarantee.
- CAUTION: This appliance is for cooking purposes only. It must not be used for other purposes, for example room heating.
- This product should not be used for warming the plates under the grill, drying towels, dish cloths etc. by hanging them on the oven door handles. This product should also not be used for room heating purposes.
- The manufacturer shall not be liable for any damage caused by improper use or handling errors.
- The oven can be used for defrosting, baking, roasting and grilling food.

Safety for children

- WARNING: Accessible parts may become hot during use. Young children should be kept away.
- The packaging materials will be dangerous for children. Keep the packaging materials away from children. Please dispose of all parts of the packaging according to environmental standards.

- Electrical and/or gas products are dangerous to children. Keep children away from the product when it is operating and do not allow them to play with the product.
- Do not place any items above the appliance that children may reach for.
- When the door is open, do not load any heavy object on it and do not allow children to sit on it. It may overturn or door hinges may get damaged.

Disposing of the old product Compliance with the WEEE Directive and Disposing of the Waste Product:



This product complies with EU WEEE Directive (2012/19/EU). This product bears a classification symbol for waste electrical and electronic equipment (WEEE).

This product has been manufactured with high quality parts and materials which can be reused and are suitable for recycling. Do not dispose of the waste product with normal domestic and other wastes at the end of its service life. Take it to the collection center for the recycling of electrical and electronic equipment. Please consult your local authorities to learn about these collection centers.

Compliance with RoHS Directive:

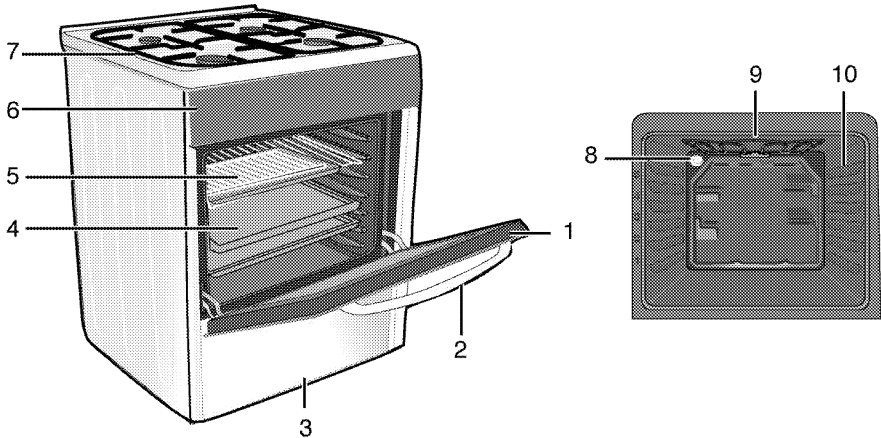
The product you have purchased complies with EU RoHS Directive (2011/65/EU). It does not contain harmful and prohibited materials specified in the Directive.

Package information

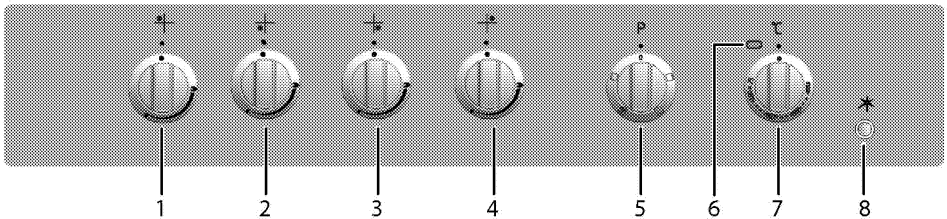
- Packaging materials of the product are manufactured from recyclable materials in accordance with our National Environment Regulations. Do not dispose of the packaging materials together with the domestic or other wastes. Take them to the packaging material collection points designated by the local authorities.

2 General information

Overview



- | | | | |
|---|------------|----|-----------------------|
| 1 | Front door | 6 | Control panel |
| 2 | Handle | 7 | Burner plate |
| 3 | Lower part | 8 | Lamp |
| 4 | Tray | 9 | Grill heating element |
| 5 | Wire shelf | 10 | Shelf positions |



- | | | | |
|---|------------------------------|---|-----------------|
| 1 | Normal burner Rear left | 5 | Function knob |
| 2 | Rapid burner Front left | 6 | Thermostat lamp |
| 3 | Auxiliary burner Front right | 7 | Thermostat knob |
| 4 | Normal burner Rear right | 8 | Ignition button |

Package contents

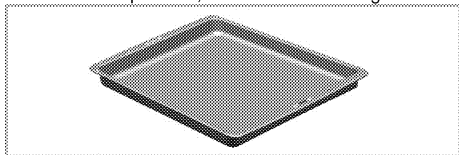


Accessories supplied can vary depending on the product model. Not every accessory described in the user manual may exist on your product.

1. **User manual**

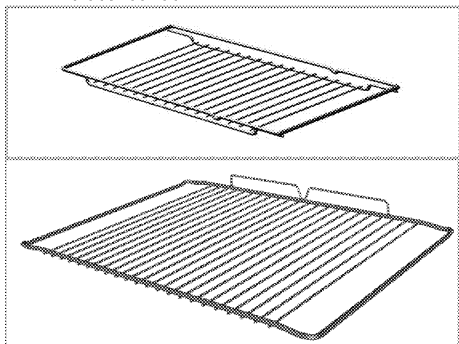
2. **Oven tray**

Used for pastries, frozen foods and big roasts.



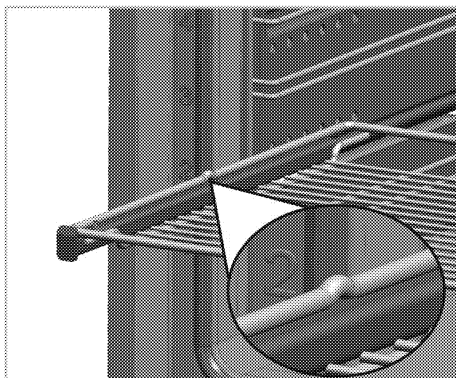
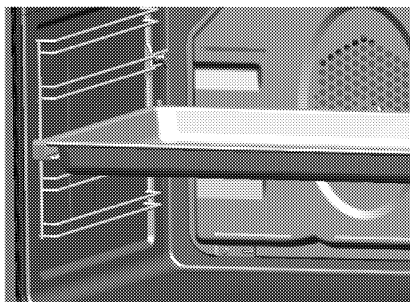
3. **Wire Shelf**

Used for roasting and for placing the food to be baked, roasted or cooked in casserole dishes to the desired rack.

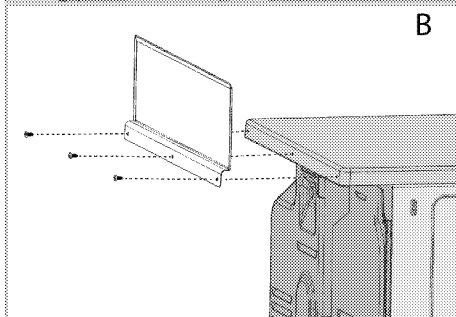
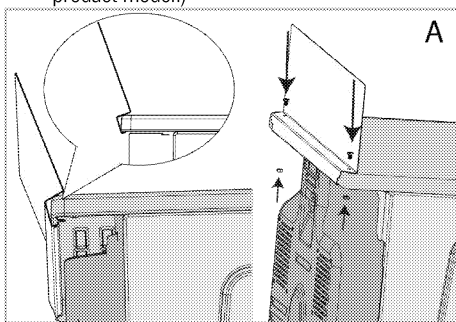


4. **Placing the wire shelf and tray onto the telescopic racks properly**
(This feature is optional. It may not exist on your product.)

Telescopic racks allow you to install and remove the trays and wire shelf easily. When using the tray and wire shelf with telescopic racks, make sure that the pins at the rear section of the telescopic rack stands against the edges of the wire shelf and tray.



5. **Splashback assembly**(Varies depending on the product model.)



Your product might be equipped with a type A or B splashback sheet. Fit the splashback sheet according to its model as shown in the figures below. Do not over-tighten the screws to avoid any damages to the product or the splashback sheet.

Technical specifications

GENERAL	
External dimensions (height / width / depth)	850 mm/500 mm/600 mm
Voltage / frequency	220-240 V ~ 50 Hz
Total power consumption	1.9 kW
Fuse	10 A
Cable type / section	min.H05W-FG 3 x 1 mm ²
Category of gas product	Cat II 2H3B/P
Gas type / pressure	NG G 20/20 mbar
Total gas consumption	7.9 kW
Converting the gas type / pressure [§]	LPG G 30/28-30mbar
– optional	NG G 20/10 mbar - NG G 20/13 mbar
HOB	
Burners	
Rear left	Normal burner
Power	2 kW
Front left	Rapid burner
Power	2.9 kW
Front right	Auxiliary burner
Power	1 kW
Rear right	Normal burner
Power	2 kW
OVEN/GRILL	
Main oven	Conventional oven
Inner lamp	15–25 W
Grill power consumption	1.6 kW

[#] Basics: Information on the energy label of electrical ovens is given in accordance with the EN 60350-1 / IEC 60350-1 standard. Those values are determined under standard load with bottom-top heater or fan assisted heating (if any) functions.

Energy efficiency class is determined in accordance with the following prioritization depending on whether the relevant functions exist on the product or not. 1-Cooking with eco-fan, 2- Turbo slow cooking, 3- Turbo cooking, 4- Fan assisted bottom/top heating, 5-Top and bottom heating.



Technical specifications may be changed without prior notice to improve the quality of the product.



Figures in this manual are schematic and may not exactly match your product.




Values stated on the product labels or in the documentation accompanying it are obtained in laboratory conditions in accordance with relevant standards. Depending on operational and environmental conditions of the product, these values may vary.


Injector table


Position hob zone Gas type / Gas pressure	2 kW Rear left	2.9 kW Front left	1 kW Front right	2 kW Rear right
G 20/10 mbar	125	155	90	125
G 20/13 mbar	116	145	84	116
G 20/20 mbar	103	115	72	103
G 30/28-30 mbar	72	87	50	72

3 Installation

Product must be installed by a qualified person in accordance with the regulations in force. The manufacturer shall not be held responsible for damages arising from procedures carried out by unauthorized persons which may also void the warranty.

 Preparation of location and electrical and gas installation for the product is under customer's responsibility.

 **DANGER:**
The product must be installed in accordance with all local gas and/or electrical regulations.

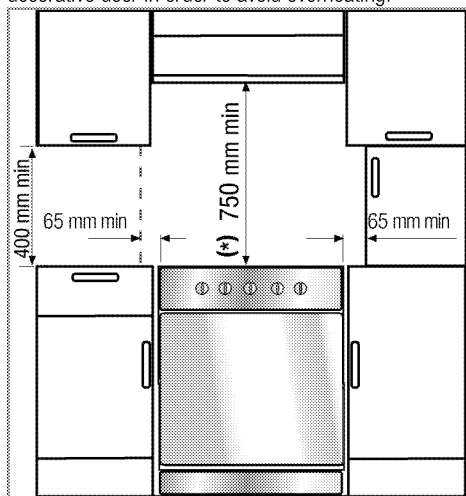
 **DANGER:**
Prior to installation, visually check if the product has any defects on it. If so, do not have it installed.
Damaged products cause risks for your safety.

Before installation

To ensure that critical air gaps are maintained under the appliance, we recommend that this appliance is mounted on a solid base and that the feet do not sink into any carpet or soft flooring.

The kitchen floor must be able to carry the weight of the appliance plus the additional weight of cookware and bakeware and food.

If the range is placed on a base, measures have to be taken to prevent the appliance slipping from the base. The appliances must not be installed behind a decorative door in order to avoid overheating.

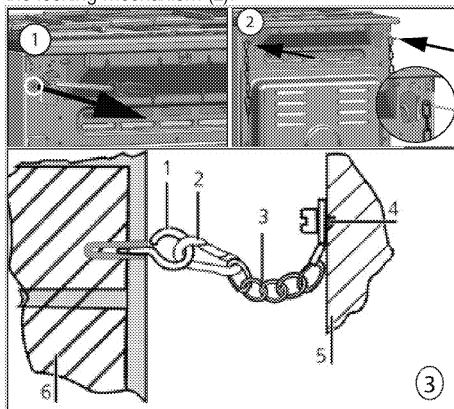


- It can be used with cabinets on either side but in order to have a minimum distance of 400mm above hotplate level allow a side clearance of 65mm between the appliance and any wall, partition or tall cupboard.
- It can also be used in a free standing position. Allow a minimum distance of 750 mm above the hob surface.
- (*) If a cooker hood is to be installed above the cooker, refer to cooker hood manufacturer' instructions regarding installation height (min 650 mm).
- The appliance corresponds to device class 1, i.e. it may be placed with the rear and **one** side to kitchen walls, kitchen furniture or equipment of any size. The kitchen furniture or equipment on the **other** side may only be of the same size or smaller.
- Any kitchen furniture next to the appliance must be heat-resistant (100 °C min.).

Safety chain

If your product has 2 safety chains;

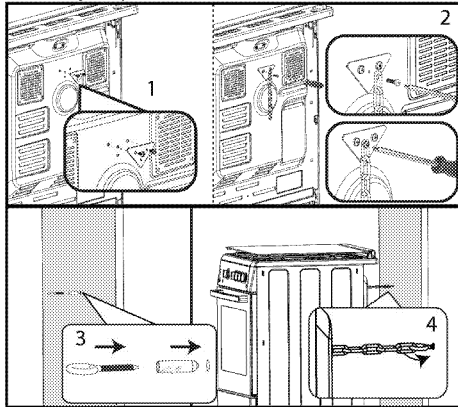
The appliance must be secured against overbalancing by using the supplied two safety chains on your oven. Fasten hook (1) by using a proper peg to the kitchen wall (6) and connect safety chain (3) to the hook via the locking mechanism (2).



- 1 Stability hook
- 2 Locking mechanism
- 3 Safety chain (supplied and mounted to oven)
- 4 Firmly fix chain to cooker rear
- 5 Rear of cooker
- 6 Kitchen wall

If your product has 1 safety chain;

The appliance must be secured against overbalancing by using the supplied one safety chain on your oven. Follow below steps in the picture to secure the safety chain to your product.



i Stability chain to be as short as practicable to avoid oven tilting forward and diagonal to avoid oven side tilting.

Cooker stability chain for cookers is not designed with bracket engagement slot.

Room ventilation

All rooms require an openable window, or equivalent, and some rooms will require a permanent vent as well. The air for combustion is taken from the room air and the exhaust gases are emitted directly into the room. Good ventilation is essential for safe operation of your appliance.

Rooms with doors and/or windows which open directly to the outer environment

The doors and/or windows that open directly to the outer environment must have a total ventilation opening of the dimensions specified in the table below which is based on the total gas power of the appliance (total gas power consumption of the appliance is shown in the technical specification table of this user manual). If the doors and/or windows do not have a total ventilation opening corresponding to the total gas consumption of the appliance as specified in the table below, then there must definitely be an additional fixed ventilation opening in the room to ensure that the total minimum ventilation requirements for the total gas consumption of the appliance is achieved. The fixed ventilation opening can include openings for existing airbricks, extraction hood ducting opening dimension etc.

Total gas consumption (kW)	min. Ventilation opening (cm ²)
0-2	100
2-3	120
3-4	175
4-6	300
6-8	400
8-10	500
10-11.5	600
11.5-13	700
13-15.5	800
15.5-17	900
17-19	1000
19-24	1250

Rooms that do not have openable doors and/or windows that open directly to the outer environment

If the room where the appliance is installed does not have a door and/or a window that opens directly to the outer environment, other products shall be sought that definitely provide a fixed nonadjustable and non-closable ventilation opening which meets the total minimum ventilation opening requirements for the total gas consumption of the appliance as indicated in the above table. Also the appropriate building regulations advise should be followed.

Where a room or internal space contains more than one gas appliance, additional ventilation area shall be provided on top of the requirement given in the table above. Size of additional ventilation area shall be appropriate to regulations of other gas appliances. There should also be a minimum clearance of 10mm on the bottom edge of the door that opens to the inner environment in the room where the appliance is installed. You must ensure that items such as carpets and other floorcoverings etc., do not affect the clearance when the door is closed.

The cooker may be located in a kitchen, kitchen/diner or a bed-sitting room, but not in a room containing a bath or a shower. The cooker must not be installed in a bed-sitting room of less than 20m³.


Do not install this appliance in a room below ground level unless it is open to ground level on at least one side.

Installation and connection

Product can only be installed and connected in accordance with the statutory installation rules.


i Do not install the product next to refrigerators or freezers. The heat emitted by the product will increase the energy consumption of cooling appliances.


- Carry the product with at least two persons.
- Product must be placed directly on the floor. It must not be placed onto a base or a pedestal.

 Do not use the door and/or handle to carry or move the product. The door, handle or hinges get damaged.

Electrical connection


Connect the product to a grounded outlet/line protected by a miniature circuit breaker of suitable capacity as stated in the "Technical specifications" table. Have the grounding installation made by a qualified electrician while using the product with or without a transformer. Our company shall not be liable for any damages that will arise due to using the product without a grounding installation in accordance with the local regulations.


 **DANGER:**
The product must be connected to the mains supply only by an authorised and qualified person. The product's warranty period starts only after correct installation.
Manufacturer shall not be held responsible for damages arising from procedures carried out by unauthorised persons.


 **DANGER:**
The power cable must not be clamped, bent or trapped or come into contact with hot parts of the product.
A damaged power cable must be replaced by a qualified electrician. Otherwise, there is risk of electric shock, short circuit or fire!

The mains supply data must correspond to the data specified on the type label of the product. The rating plate is either seen when the door or the lower cover is opened or it is located at the rear wall of the unit depending on the unit type.

Power cable of your product must comply with the values in "Technical specifications" table.

 Power cable plug must be within easy reach after installation (do not route it above the hob).


 While performing the wiring, you must apply with the national/local electrical regulations and must use the appropriate socket outlet/line and plug for oven. In case of the product's power limits are out of current carrying capability of plug and socket outlet/line, the product must be connected through fixed electrical installation directly without using plug and socket outlet/line.

 **DANGER:**
Before starting any work on the electrical installation, disconnect the product from the mains supply.
There is the risk of electric shock!


Connect the power cable into the socket.

Gas connection

 **DANGER:**
Product can be connected to gas supply system only by an authorised and qualified person or technician with licence.
Risk of explosion or toxication due to unprofessional repairs!
Manufacturer shall not be held responsible for damages arising from procedures carried out by unauthorised or unlicensed persons.

 **DANGER:**
Before starting any work on the gas installation, disconnect the gas supply.
There is the risk of explosion!

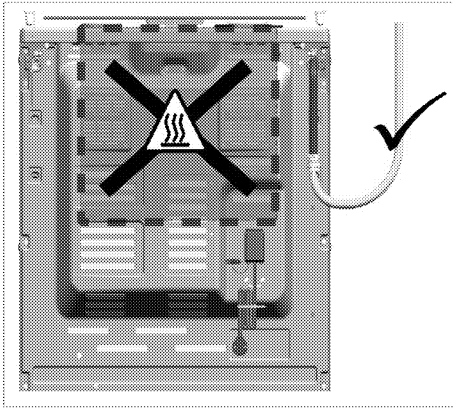
- Gas adjustment conditions and values are stated on labels (or on type label).

 Your product is equipped for natural gas (NG).

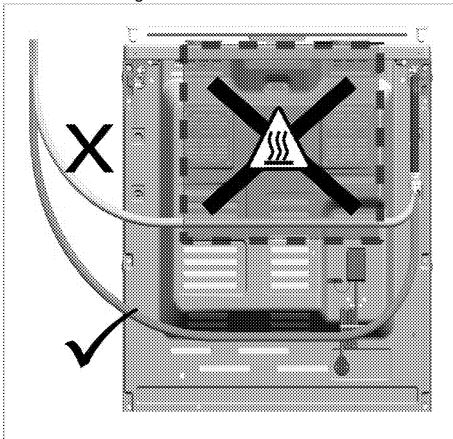
- Natural gas installation must be prepared suitably for the assembly before installing the product.
- Gas connection of your product will be performed by the authorised service.
- There must be a flex pipe at the outlet of the installation for the natural gas connection of your product and the tip of this pipe must be sealed with a blind plug. The blind plug will be removed during connection and your product will be connected by means of a flat connection device (sleeve).
- Make sure that the natural gas valve is readily accessible.
- If you need to use your product later with a different type of gas, you must consult the authorised service for the related conversion procedure.

If your product has only one gas outlet;

- Before connecting the gas hose, make sure that the gas hose outlet at the back of the product is on the same side of the product as the natural gas valve.

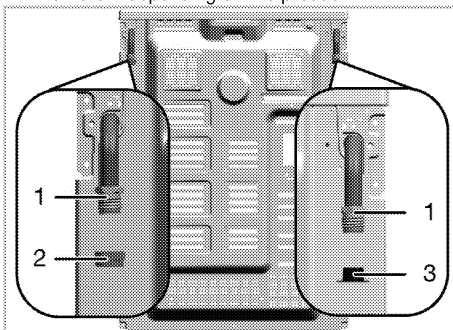


- If the gas hose outlet and the natural gas valve do not face on the same side, make sure that the hose does not pass through the hot area when connecting it.



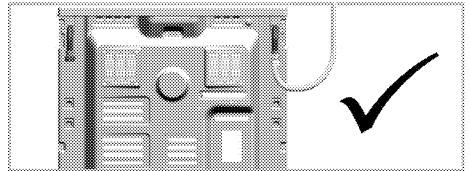
If your product has two gas outlets;

- One of the two outlets is sealed with a blind plug and the other one with a plastic plug. Locations of the blind plug and plastic plug may be different depending on the product.

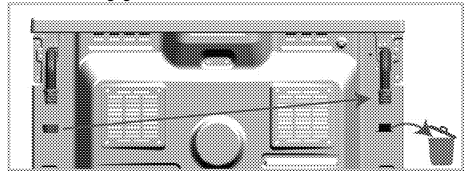


- 1 Gas hose outlet
- 2 Blind plug
- 3 Plastic plug

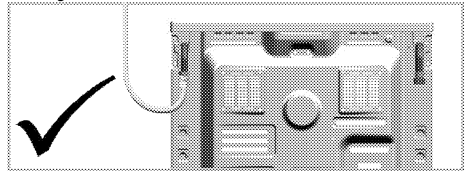
- Before gas connection, make sure that the natural gas valve and the gas hose outlet of the product to be connected to the gas is on the same side.
- If the natural gas valve and the gas hose outlet sealed with plastic plug face on the same side, make the gas connection as shown in the figure below.



- If the natural gas valve and the gas hose sealed with blind plug face on the same side, remove and dispose the plastic plug. Take out the blind plug and close the gas hose outlet where gas connection will not be made with a new (unused) sealing gasket.



- Make the gas connection as shown in the figure below on the gas hose outlet near the natural gas valve.





Risk of fire:

If you do not make the connection according to the instructions below, there will be the risk of gas leakage and fire. **Our company cannot be held responsible for damages resulting from this.**

- Gas connection must be made by the authorised service provider only.
- Gas connection of the product must definitely be made through the gas hose outlet near the natural gas valve.
- Plastic plug must be disposed, and the gas hose outlet that will not be used must be sealed with the blind plug.

- When closing the gas hose outlet that will not be used, you must definitely use a new and unused sealing gasket.

DANGER:

 The flexible gas hose must be connected in a way that it does not contact the moving parts around it and is not trapped when the moving parts are travelling. (e.g. drawers). Besides, it should not be placed in spaces where it might get squeezed.

DANGER:

 The gas hose must not be clamped, bent or trapped or come into contact with hot parts of the product. There is the risk of explosion due to damaged gas hose.

Leakage check at the connection point

- Make sure that all knobs on the product are turned off. Make sure that the gas supply is open. Prepare soapy foam and apply it onto the connection point of the hose for gas leakage control.
- Soapy part will froth if there is a gas leakage. In this case, inspect the gas connection once again.
- If your product has two gas hose outlets,** make sure that the unused gas outlet is sealed with a blind plug. Prepare soapy foam and apply it onto the connection point of the blind plug to check for gas leaks. Soapy part will froth if there is a gas leakage. In this case, inspect the blind plug connection again.
- Instead of soap, you can use commercially available sprays for gas leak check.

i Never use a match or lighter to make the gas leakage control.


- Push the product towards the kitchen wall.
- Adjusting the feet of oven**
 Vibrations during use may cause cooking vessels to move. This dangerous situation can be avoided if the product is level and balanced. For your own safety please ensure the product is level by adjusting the four feet at the bottom by turning left or right and align level with the work top.

Final check

- Check electrical functions.
- Open gas supply.
- Check gas installations for secure fitting and tightness.
- Ignite burners and check appearance of the flame.

i Flame must be blue and have a regular shape. If the flame is yellowish, check if the burner cap is seated securely or clean the burner.

Gas conversion

DANGER:

 Before starting any work on the gas installation, disconnect the gas supply. There is the risk of explosion!

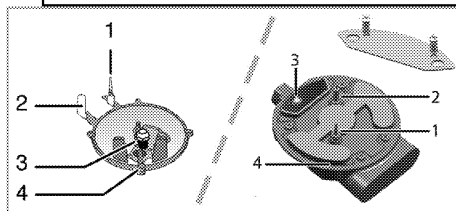
In order to change your appliance's gas type, change all injectors and make flame adjustment for all valves at reduced flow rate position.

Exchange of injector for the burners

- Take off burner cap and burner body.
- Unscrew injectors by turning the counter-clockwise.
- Fit new injectors.
- Check all connections for secure fitting and tightness.

i New injectors have their position marked on their packing or injector table on *Injector table, page 12* can be referred to.

i ((Varies depending on the product model.))
 On some hob burners, the injector is covered with a metal piece. This metal cover must be removed for injector replacement.



- Flame failure device (model dependant)
- Spark plug
- Injector
- Burner

i Unless there is an abnormal condition, do not attempt to remove the gas burner taps. You must call an Authorised service agent or technician with licence if it is necessary to change the taps.

Reduced gas flow rate setting for hob taps

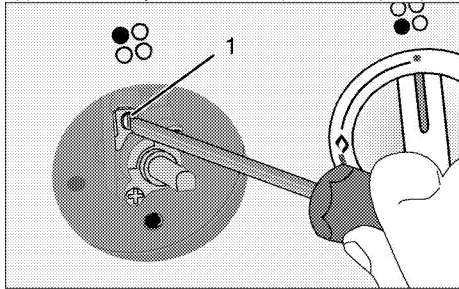
1. Ignite the burner that is to be adjusted and turn the knob to the reduced position.
2. Remove the knob from the gas tap.
3. Use an appropriately sized screwdriver to adjust the flow rate adjustment screw.

For LPG (Butane - Propane) turn the screw clockwise. For the natural gas, you should turn the screw **counter-clockwise** once.

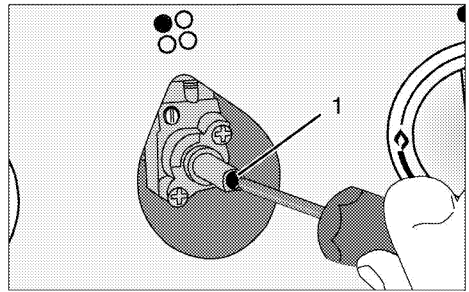
» The normal length of a straight flame in the reduced position should be 6-7 mm.

4. If the flame is higher than the desired position, turn the screw clockwise. If it is smaller turn anticlockwise.
5. For the last control, bring the burner both to high-flame and reduced positions and check whether the flame is on or off.

Depending on the type of gas tap used in your appliance the adjustment screw position may vary.



1 Flow rate adjustment screw



1 Flow rate adjustment screw

i If the gas type of the unit is changed, then the rating plate that shows the gas type of the unit must also be changed.

Future Transportation

- Keep the product's original carton and transport the product in it. Follow the instructions on the carton. If you do not have the original carton, pack the product in bubble wrap or thick cardboard and tape it securely.
- To prevent the wire grill and tray inside the oven from damaging the oven door, place a strip of cardboard onto the inside of the oven door that lines up with the position of the trays. Tape the oven door to the side walls.
- Secure the caps and pan supports with adhesive tape.
- Do not use the door or handle to lift or move the product.

i Do not place any objects onto the product and move it in upright position.

i Check the general appearance of your product for any damages that might have occurred during transportation.

4 Preparation

Tips for saving energy

The following information will help you to use your appliance in an ecological way, and to save energy:

- Use dark coloured or enamel coated cookware in the oven since the heat transmission will be better.
- While cooking your dishes, perform a preheating operation if it is advised in the user manual or cooking instructions.
- Do not open the door of the oven frequently during cooking.
- Try to cook more than one dish in the oven at the same time whenever possible. You can cook by placing two cooking vessels onto the wire shelf.
- Cook more than one dish one after another. The oven will already be hot.
- You can save energy by switching off your oven a few minutes before the end of the cooking time. Do not open the oven door.
- Defrost frozen dishes before cooking them.
- Use pots/pans with cover for cooking. If there is no cover, energy consumption may increase 4 times.
- Select the burner which is suitable for the bottom size of the pot to be used. Always select the correct pot size for your dishes. Larger pots require more energy.

Initial use

First cleaning of the appliance



The surface might get damaged by some detergents or cleaning materials.

Do not use aggressive detergents, cleaning powders/creams or any sharp objects during cleaning.

Do not use harsh abrasive cleaners or sharp metal scrapers to clean the oven door glass since they can scratch the surface, which may result in shattering of the glass.

1. Remove all packaging materials.
2. Wipe the surfaces of the appliance with a damp cloth or sponge and dry with a cloth.

Initial heating

Heat up the product for about 30 minutes and then switch it off. Thus, any production residues or layers will be burnt off and removed.



WARNING

Hot surfaces cause burns!

Product may be hot when it is in use. Never touch the hot burners, inner sections of the oven, heaters and etc. Keep children away. Always use heat resistant oven gloves when putting in or removing dishes into/from the hot oven.

Electric oven

1. Take all baking trays and the wire grill out of the oven.
2. Close the oven door.
3. Select Static position.
4. Select the highest grill power; See *How to operate the electric oven, page 22*.
5. Operate the oven for about 30 minutes.
6. Turn off your oven; See *How to operate the electric oven, page 22*

Grill oven

1. Take all baking trays and the wire grill out of the oven.
2. Close the oven door.
3. Select the highest grill power; see *How to operate the grill, page 24*.
4. Operate the grill about 30 minutes.
5. Turn off your grill; see *How to operate the grill, page 24*



Smoke and smell may emit for a couple of hours during the initial operation. This is quite normal. Ensure that the room is well ventilated to remove the smoke and smell. Avoid directly inhaling the smoke and the smell that emits.

5 How to use the hob

General information about cooking



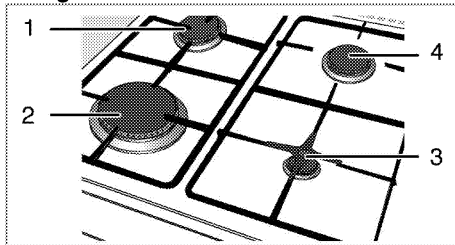
Never fill the pan with oil more than one third of it. Do not leave the hob unattended when heating oil. Overheated oils bring risk of fire. **Never attempt to extinguish a possible fire with water!** When oil catches fire, cover it with a fire blanket or damp cloth. Turn off the hob if it is safe to do so and call the fire department.

- Before frying foods, always dry them well and gently place into the hot oil. Ensure complete thawing of frozen foods before frying.
- Do not cover the vessel you use when heating oil.
- Place the pans and saucepans in a manner so that their handles are not over the hob to prevent heating of the handles. Do not place unbalanced and easily tilting vessels on the hob.
- Do not place empty vessels and saucepans on cooking zones that are switched on. They might get damaged.
- Operating a cooking zone without a vessel or saucepan on it will cause damage to the product. Turn off the cooking zones after the cooking is complete.
- As the surface of the product can be hot, do not put plastic and aluminum vessels on it. Such vessels should not be used to keep foods either.
- Use flat bottomed saucepans or vessels only.
- Put appropriate amount of food in saucepans and pans. Thus, you will not have to make any unnecessary cleaning by preventing the dishes from overflowing.
Do not put covers of saucepans or pans on cooking zones.
Place the saucepans in a manner so that they are centered on the cooking zone. When you want to move the saucepan onto another cooking zone, lift and place it onto the cooking zone you want instead of sliding it.

Gas cooking

- Size of the vessel and the flame must match each other. Adjust the gas flames so that they will not extend the bottom of the vessel and center the vessel on saucepan carrier.

Using the hobs



- 1 Normal burner 18-20 cm
- 2 Rapid burner 22-24 cm
- 3 Auxiliary burner 12-18 cm
- 4 Normal burner 18-20 cm is list of advised diameter of pots to be used on related burners.



WARNING

Do not use cooking pans beyond the dimension limits given above. Using larger pans causes risk of carbon monoxide poisoning, overheating of adjacent surfaces and control knobs. Using smaller pans causes your risk of being burned by the flame.

Large flame symbol indicates the highest cooking power and small flame symbol indicates the lowest cooking power. In turned off position (top), gas is not supplied to the burners.

Igniting the gas burners



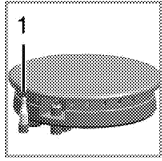
Gas burners are ignited with ignition buttons.

1. Keep burner knob pressed.
2. Turn it counter clockwise to large flame symbol.
3. Press and release the ignition button. Repeat the procedure until the released gas is ignited.
4. Adjust it to the desired cooking power.

Turning off the gas burners

Turn the keep warm zone knob to off (upper) position.

Gas shut off safety system (in models with thermic component)



1. Gas shut off safety

As a counter measure against blow out due to fluid overflows at burners, safety mechanism trips and shuts off the gas.

- Push the knob inwards and turn it counter clockwise to ignite.
- After the gas ignites, keep the knob pressed for 3-5 seconds more to engage the safety system.
- If the gas does not ignite after you press and release the knob, repeat the same procedure by keeping the knob pressed for 15 seconds.



DANGER:

Release the button if the burner is not ignited within 15 seconds.

Wait at least 1 minute before trying again.

There is the risk of gas accumulation and explosion!

6 How to operate the oven

General information on baking, roasting and grilling



WARNING

Hot surfaces cause burns!
Product may be hot when it is in use. Never touch the hot burners, inner sections of the oven, heaters and etc. Keep children away. Always use heat resistant oven gloves when putting in or removing dishes into/from the hot oven.



DANGER:

Be careful when opening the oven door as steam may escape.
Exiting steam can scald your hands, face and/or eyes.

Tips for baking

- Use non-sticky coated appropriate metal plates or aluminum vessels or heat-resistant silicone moulds.
- Make best use of the space on the rack.
- Place the baking mould in the middle of the shelf.
- Select the correct rack position before turning the oven or grill on. Do not change the rack position when the oven is hot.
- Keep the oven door closed.

Tips for roasting

- Treating whole chicken, turkey and large piece of meat with dressings such as lemon juice and black pepper before cooking will increase the cooking performance.
- It takes about 15 to 30 minutes longer to roast meat with bones when compared to roasting the same size of meat without bones.
- Each centimeter of meat thickness requires approximately 4 to 5 minutes of cooking time.
- Let meat rest in the oven for about 10 minutes after the cooking time is over. The juice is better distributed all over the roast and does not run out when the meat is cut.
- Fish should be placed on the middle or lower rack in a heat-resistant plate.

Tips for grilling

When meat, fish and poultry are grilled, they quickly get brown, have a nice crust and do not get dry. Flat pieces, meat skewers and sausages are particularly suited for grilling as are vegetables with high water content such as tomatoes and onions.

- Distribute the pieces to be grilled on the wire shelf or in the baking tray with wire shelf in such a way that the space covered does not exceed the size of the heater.
- Slide the wire shelf or baking tray with grill into the desired level in the oven. If you are grilling on the wire shelf, slide the baking tray to the lower rack to collect fats. Add some water in the tray for easy cleaning.

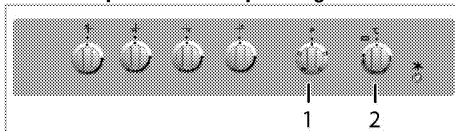


Foods that are not suitable for grilling carry the risk of fire. Only grill food which is suitable for intensive grilling heat.

Do not place the food too far in the back of the grill. This is the hottest area and fatty food may catch fire.

How to operate the electric oven

Select temperature and operating mode



1 Function knob

2 Thermostat knob

1. Set the Function knob to the desired operating mode.
2. Set the Temperature knob to the desired temperature.

» Oven heats up to the adjusted temperature and maintains it. During heating, temperature lamp stays on.

Switching off the electric oven

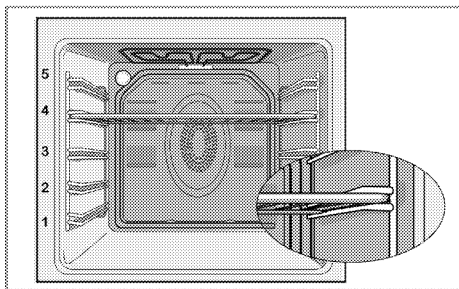
Turn the function knob and temperature knob to off (upper) position.

Rack positions (For models with wire shelf)

It is important to place the wire shelf onto the side rack correctly. Wire shelf must be inserted between the side racks as illustrated in the figure.

Do not let the wire shelf stand against the rear wall of the oven. Slide your wire shelf to the front section of the rack and settle it with the help of the door in order to obtain a good grill performance.

(Varies depending on the product model.)



Grill



Small grill at the ceiling of the oven is in operation. Suitable for grilling.

- Put small or medium-sized portions in correct shelf position under the grill heater for grilling.
- Set the temperature to maximum level.
- Turn the food after half of the grilling time.

Operating modes

The order of operating modes shown here may be different from the arrangement on your product.

Top and bottom heating



Top and bottom heating are in operation. Food is heated simultaneously from the top and bottom. For example, it is suitable for cakes, pastries, or cakes and casseroles in baking moulds. Cook with one tray only.

Bottom heating



Only bottom heating is in operation. It is suitable for pizza and for subsequent browning of food from the bottom.



This function must be used for easy steam cleaning as well.

Full grill



Large grill at the ceiling of the oven is in operation. It is suitable for grilling large amount of meat.

- Put big or medium-sized portions in correct rack position under the grill heater for grilling.
- Set the temperature to maximum level.
- Turn the food after half of the grilling time.

Cooking times table



The timings in this chart are meant as a guide. Timings may vary due to temperature of food, thickness, type and your own preference of cooking.

Baking and roasting



1st rack of the oven is the **bottom** rack.

Dish	Cooking level number		Rack position	Temperature (°C)	Cooking time (approx. in min.)
**Cakes in tray	One level		3	175	30 ... 45
**Cakes in mould	One level		3	175	30 ... 50
**Cakes in cooking paper	One level		3	160 ... 170	20 ... 30
**Sponge cake	One level		3	180 ... 200	10 ... 20
**Cookies	One level		3	160 ... 170	20 ... 30
**Dough pastry	One level		3	200	20 ... 30
**Rich pastry	One level		3	190	25 ... 35
**Leaven	One level		3	190	20 ... 40
**Lasagna	One level		2	180	25 ... 45
**Pizza	One level		2	200	15 ... 25
Beef steak (whole) / Roast	One level		2	25 min. 220, then 180 ... 190	80 ... 120
Leg of Lamb (casserole)	One level		2	25 min. 220, then 180 ... 190	70 ... 100
Roasted chicken	One level		2	15 min. 220, then 190	55 ... 75
Turkey (Sliced)	One level		2	25 min. 220, then 190	70 ... 120
Fish	One level		3	200	20 ... 30

(**) In a cooking that requires preheating, preheat at the beginning of cooking until the oven reached to adjusted temperature.

Tips for baking cake

- If the cake is too dry, increase the temperature by 10°C and decrease the cooking time.
- If the cake is wet, use less liquid or lower the temperature by 10°C.
- If the cake is too dark on top, place it on a lower rack, lower the temperature and increase the cooking time.
- If cooked well on the inside but sticky on the outside use less liquid, lower the temperature and increase the cooking time.

Tips for baking pastry

- If the pastry is too dry, increase the temperature by 10°C and decrease the cooking time. Dampen the layers of dough with a sauce composed of milk, oil, egg and yoghurt.
- If the pastry takes too long to bake, pay care that the thickness of the pastry you have prepared does not exceed the depth of the tray.
- If the upper side of the pastry gets browned, but the lower part is not cooked, make sure that the amount of sauce you have used for the pastry is not too much at the bottom of the pastry. Try to scatter the sauce equally between the dough layers and on the top of pastry for an even browning.



Cook the pastry in accordance with the mode and temperature given in the cooking table. If the bottom part is still not browned enough, place it on one lower rack next time.

Tips for cooking vegetables

- If the vegetable dish runs out of juice and gets too dry, cook it in a pan with a lid instead of a tray. Closed vessels will preserve the juice of the dish.
- If a vegetable dish does not get cooked, boil the vegetables beforehand or prepare them like canned food and put in the oven.

How to operate the grill



WARNING

Close oven door during grilling.
Hot surfaces may cause burns!

Switching on the grill

1. Turn the Function knob to the desired grill symbol.
 2. Then, select the desired grilling temperature.
 3. If required, perform a preheating of about 5 minutes.
- » Temperature light turns on.

Switching off the grill

1. Turn the Function knob to Off (top) position.



Foods that are not suitable for grilling carry the risk of fire. Only grill food which is suitable for intensive grilling heat.

Do not place the food too far in the back of the grill. This is the hottest area and fatty food may catch fire.

Cooking times table for grilling

Grilling with electric grill

Food	Rack position	Recommended temperature (°C)**	Grilling time (approx.)
Fish	4..5	250/max	20...25 min. #
Sliced chicken	4..5	250/max	25...35 min.
Lamb chops	4..5	250/max	20...25 min.
Roast beef	4..5	250/max	25...30 min. #
Veal chops	4..5	250/max	25...30 min. #
Toast bread*	4	250/max	1...3 min.

depending on thickness
*Preheat for 5 minutes
**If the grill temperature of your product cannot be adjusted, the grill will work at the maximum temperature.

7 Maintenance and care

General information

Service life of the product will extend and the possibility of problems will decrease if the product is cleaned at regular intervals.



DANGER:

Disconnect the product from mains supply before starting maintenance and cleaning works.

There is the risk of electric shock!



DANGER:

Allow the product to cool down before you clean it.

Hot surfaces may cause burns!

- Clean the product thoroughly after each use. In this way it will be possible to remove cooking residues more easily, thus avoiding these from burning the next time the appliance is used.
- No special cleaning agents are required for cleaning the product. Use warm water with washing liquid, a soft cloth or sponge to clean the product and wipe it with a dry cloth.
- Always ensure any excess liquid is thoroughly wiped off after cleaning and any spillage is immediately wiped dry.
- Do not use cleaning agents that contain acid or chloride to clean the stainless or inox surfaces and the handle. Use a soft cloth with a liquid detergent (not abrasive) to wipe those parts clean, paying attention to sweep in one direction.



The surface might get damaged by some detergents or cleaning materials.

Do not use aggressive detergents, cleaning powders/creams or any sharp objects during cleaning.

Do not use harsh abrasive cleaners or sharp metal scrapers to clean the oven door glass since they can scratch the surface, which may result in shattering of the glass.



Do not use steam cleaners to clean the appliance as this may cause an electric shock.

Cleaning the hob

Gas hobs

1. Remove and clean the saucepan carriers and burner caps.
2. Clean the hob.

3. Install the burner caps and make sure that they are seated correctly.
4. When installing the upper grills, pay attention to place the saucepan carriers so that the burners are centered.

Cleaning the control panel

Clean the control panel and knobs with a damp cloth and wipe them dry.



If your product is equipped with buttons/knobs do not remove the control buttons/knobs to clean the control panel.

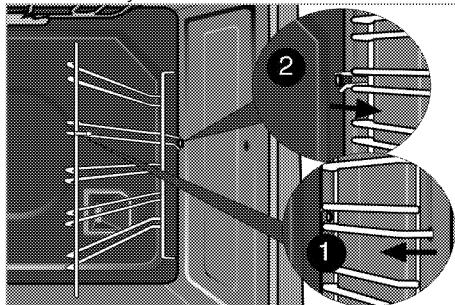
Control panel may get damaged!

Cleaning the oven

To clean the side wall (Varies depending on the product model.)

(This feature is optional. It may not exist on your product.)

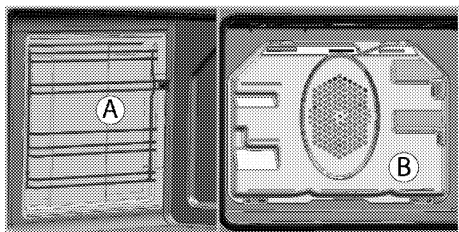
1. Remove the front section of the side rack by pulling it in the opposite direction of the side wall.
2. Remove the side rack completely by pulling it towards you.



Catalytic walls

(This feature is optional. It may not exist on your product.)

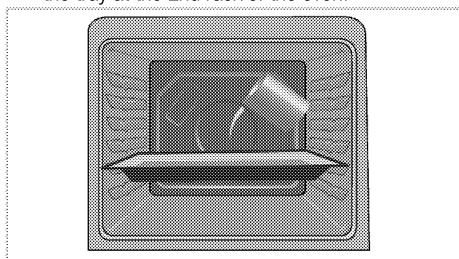
The inner side walls (A) and/or the rear wall (B) of your product may be coated with catalytic enamel. Catalytic walls have a light matte colour and a porous surface. Catalytic walls of the oven should not be cleaned. Porous surfaces of the catalytic walls are automatically cleaned by absorbing and converting the spilled oil (steam and carbon dioxide).



Easy Steam Cleaning

It ensures easy cleaning because the dirt (having waited not for too long) is softened by the steam that forms inside the oven and the water drops condensing on the inner surfaces of the oven.

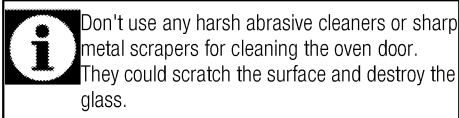
1. Remove all accessories inside the oven.
2. Pour 500 ml of water into the oven tray and place the tray at the 2nd rack of the oven.



3. Set the oven to easy steam cleaning mode and run at 100°C for 25 minutes.
4. Open the door and wipe the inner surfaces of the oven with a damp sponge or cloth.
5. Use warm water with washing liquid, a soft cloth or sponge to clean the persistent dirt and wipe it with a dry cloth.

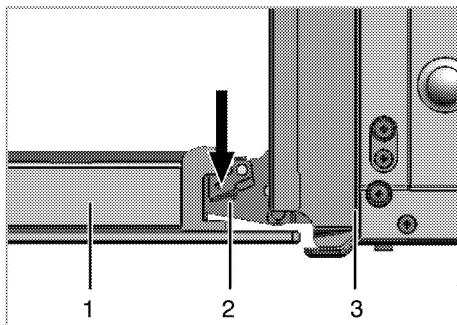
Clean oven door

To clean the oven door, use warm water with washing liquid, a soft cloth or sponge to clean the product and wipe it with a dry cloth.

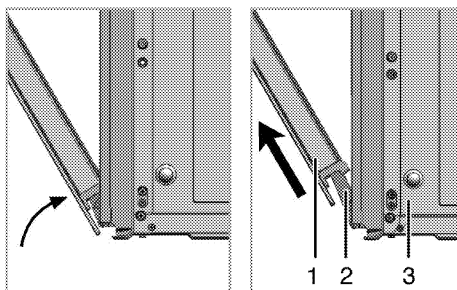


Removing the oven door

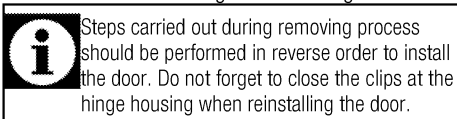
1. Open the front door (1).
2. Open the clips at the hinge housing (2) on the right and left hand sides of the front door by pressing them down as illustrated in the figure.



- 1 Front door
- 2 Hinge
- 3 Oven



3. Move the front door to half-way.
4. Remove the front door by pulling it upwards to release it from the right and left hinges.

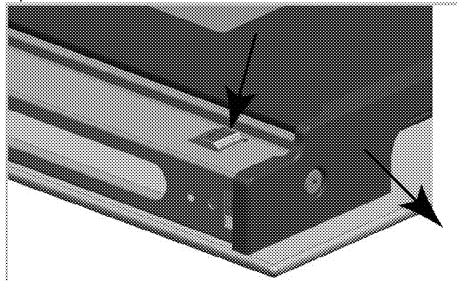


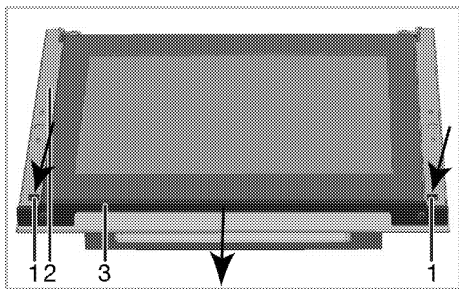
Removing the door inner glass

(This feature is optional. It may not exist on your product.)

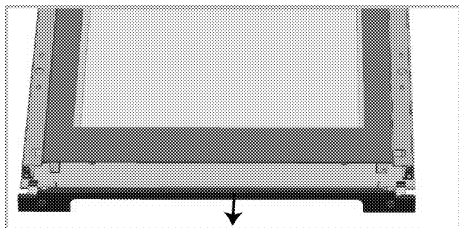
The inner glass panel of the oven door can be removed for cleaning.

Open the oven door.

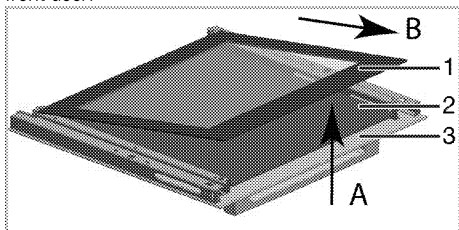




- 1 Tab
- 2 Frame
- 3 Profile



As illustrated in the figures above, press on the tabs (1) and pull the profile (3) towards yourself simultaneously to remove the profile attached to the upper side of the front door.

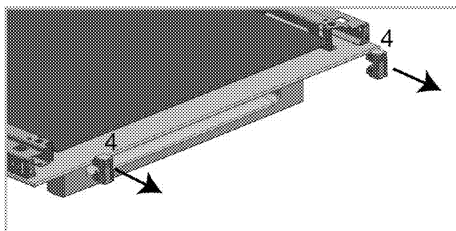


- 1 Innermost glass panel
- 2 Inner glass panel*
- 3 Outer glass panel

* (This may not exist on your product.)

As illustrated in the figure, raise the innermost glass panel (1) slightly in direction 'A' and pull it out in direction 'B'.

If your product is equipped with an inner glass panel; Pull the glass holder connecting elements in the middle as illustrated in the figure to free them from the glass panels.

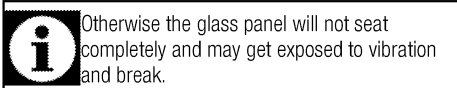


- 4 Glass holder connecting element*

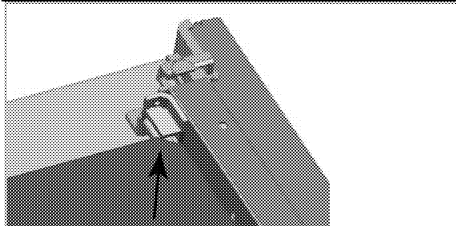
* (This may not exist on your product.)

Repeat the same procedure to remove the inner glass panel (2). The first step to regroup the door is reinstalling inner glass panel (2).

As illustrated in the figure, place the glass panel so that it is inserted to the plastic slot.

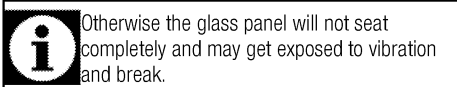


Otherwise the glass panel will not seat completely and may get exposed to vibration and break.



When installing the innermost glass panel (1), make sure that the printed side of the panel faces towards the inner glass panel.

It is important that the lower corners of the innermost glass panel are seated into the plastic slots.

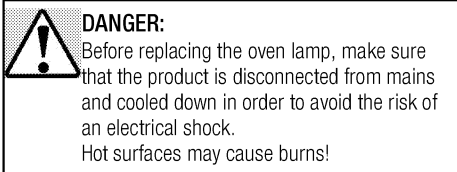


Otherwise the glass panel will not seat completely and may get exposed to vibration and break.

Please remember to place the glass holding connecting parts into their slots.

Finally, press on the tabs of the profile to make them seat into their slots again.

Replacing the oven lamp



DANGER:

Before replacing the oven lamp, make sure that the product is disconnected from mains and cooled down in order to avoid the risk of an electrical shock.

Hot surfaces may cause burns!

i The oven lamp is a special electric light bulb that can resist up to 300 °C. See *Technical specifications, page 12* for details. Oven lamps can be obtained from Authorised Service Agents or technician with licence.

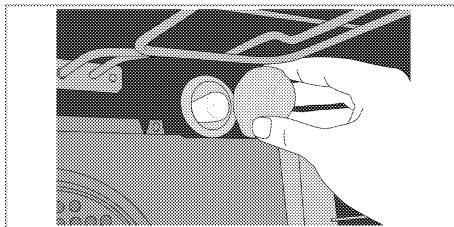
i Position of lamp might vary from the figure.

i The lamp used in this appliance is not suitable for household room illumination. The intended purpose of this lamp is to assist the user to see foodstuffs.

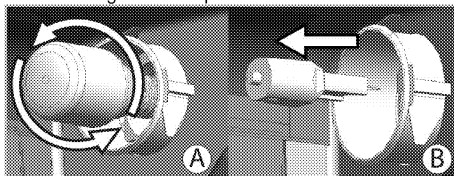
i The lamps used in this appliance have to withstand extreme physical conditions such as temperatures above 50 °C.

If your oven is equipped with a round lamp:

1. Disconnect the product from mains.
2. Turn the glass cover counter clockwise to remove it.



3. If your oven lamp is of type (A) shown in the figure below, remove it by rotating as shown and replace it. If it is of type (B), pull and remove it as shown in the figure and replace it.



4. Install the glass cover.

8 Troubleshooting

Oven emits steam when it is in use.

- It is normal that steam escapes during operation. >>> *This is not a fault.*

Product emits metal noises while heating and cooling.

- When the metal parts are heated, they may expand and cause noise. >>> *This is not a fault.*

Product does not operate.

- The mains fuse is defective or has tripped. >>> *Check fuses in the fuse box. If necessary, replace or reset them.*
- Product is not plugged into the (grounded) socket. >>> *Check the plug connection.*

Oven light does not work.

- Oven lamp is defective. >>> *Replace oven lamp.*
- Power is cut. >>> *Check if there is power. Check the fuses in the fuse box. If necessary, replace or reset the fuses.*

Oven does not heat.

- Might not be set to a certain cooking function and/or temperature. >>> *Set the oven to a certain cooking function and/or temperature.*
- Power is cut. >>> *Check if there is power. Check the fuses in the fuse box. If necessary, replace or reset the fuses.*

There is no ignition spark.

- No current. >>> *Check fuses in the fuse box.*

There is no gas.

- Main gas valve is closed. >>> *Open gas valve.*
- Gas pipe is bent. >>> *Install gas pipe properly.*

Burners are not burning properly or at all.

- Burners are dirty. >>> *Clean burner components.*
- Burners are wet. >>> *Dry the burner components.*
- Burner cap is not mounted safely. >>> *Mount the burner cap properly.*
- Gas valve is closed. >>> *Open gas valve.*
- Gas cylinder is empty (when using LPG). >>> *Replace gas cylinder.*



Consult the Authorised Service Agent or technician with licence or the dealer where you have purchased the product if you can not remedy the trouble although you have implemented the instructions in this section. Never attempt to repair a defective product yourself.

Arcelik A.S.

Karaağaç Caddesi No:2-6 Sütlüce, 34445, Turkey

Made in TURKEY

Importer in Russia: «BEKO LLC»

Address: Selskaya street, 49, Fedorovskoe village, Pershinskoe rural settlement, Kirzhach district, Vladimir region, Russian Federation 601021

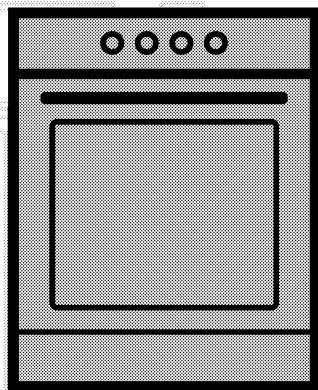
The manufacture date is included in the serial number of a product specified on rating label, which is located on a product, namely: first two figures of serial number indicate the year of manufacture, and last two – the month.

For example, "10- 100001-05" indicates that the product was produced in May, 2010.

You can ask for certification number from our Call Center 8-800-200-23-56 The manufacturer reserves the right for making changes in modification, design and specification of an electric device.

Плита

Руководство пользователя



RU

beko

Перед началом эксплуатации прочитайте это руководство пользователя!

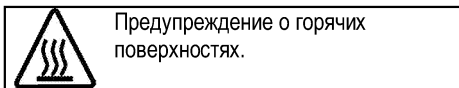
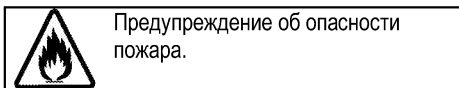
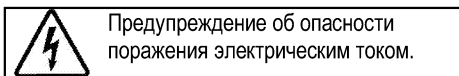
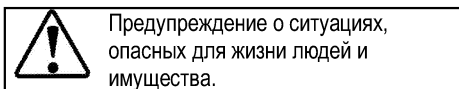
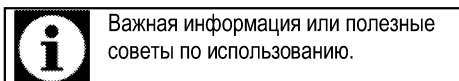
Уважаемый покупатель!

Спасибо за то, что отдали предпочтение продукции компании «Веко». Надеемся, что это высококачественное изделие, изготовленное с применением самых современных технологий, будет демонстрировать наилучшие результаты эксплуатации. Для этого перед началом эксплуатации внимательно прочитайте это руководство и всю сопутствующую документацию и используйте его в дальнейшем в качестве справочника. Если вы передаете изделие новому владельцу, передайте ему и руководство пользователя. Придерживайтесь всех предупреждений и информации, содержащихся в руководстве.

Помните, что данное руководство пользователя также может быть применимо к некоторым другим моделям. Различия между моделями будут указаны в руководстве.

Пояснения к символам

В данном руководстве пользователя используются следующие символы:



1 Важные инструкции и предупреждения по технике безопасности и охране окружающей среды **4**

Общие правила техники безопасности.....	4
Правила техники безопасности при работе с газовым оборудованием.....	5
Электробезопасность.....	6
Безопасность изделия.....	8
Использование по назначению.....	11
Безопасность детей.....	11
Утилизация старого изделия.....	12
Утилизация упаковочных материалов.....	12

2 Общие сведения **13**

Обзор.....	13
Содержание упаковки.....	14
Технические характеристики.....	15
Характеристики горелок.....	16

3 Установка **17**

До начала установки.....	17
Установка и подключение.....	19
Переход на другой вид газа.....	23
Для будущей транспортировки.....	24

4 Подготовка к эксплуатации **25**

Рекомендации по экономии электроэнергии.....	25
Подготовка к эксплуатации.....	25
Очистка прибора перед началом эксплуатации.....	25
Первоначальный прогрев.....	25

5 Правила эксплуатации варочной панели **26**

Общие сведения о приготовлении пищи.....	26
Эксплуатация варочных панелей.....	26

6 Правила эксплуатации духовки **28**

Общие сведения о выпекании, жарении и приготовлении с грилем.....	28
Правила эксплуатации электрической духовки.....	28
Режимы работы.....	29
Время приготовления блюд.....	30
Как пользоваться грилем.....	31
Время приготовления блюд на гриле.....	31

7 Уход и техническое обслуживание **32**

Общие сведения.....	32
Чистка варочной панели.....	32
Чистка панели управления.....	32
Чистка духовки.....	32
Снятие дверцы духового шкафа.....	33
Снятие внутреннего стекла дверцы.....	33
Замена лампочки освещения духового шкафа.....	35

8 Поиск и устранение неисправностей **36**

1 Важные инструкции и предупреждения по технике безопасности и охране окружающей среды

В данном разделе содержатся инструкции по технике безопасности, которые помогут вам избежать травм и повреждений. При несоблюдении этих правил все гарантийные обязательства аннулируются.

Общие правила техники безопасности

- Это изделие может эксплуатироваться детьми старше 8 лет и людьми с ограниченными физическими, сенсорными или умственными способностями, а также лицами, не имеющими достаточного опыта и знаний, только в том случае, если они находятся под наблюдением лиц, ответственных за их безопасность, или проинструктированы на предмет безопасного использования изделия и осознают связанные с этим риски. Следите за тем, чтобы дети не играли с устройством. Дети могут чистить и обслуживать устройство только под наблюдением.
- Прибор не должен использоваться лицами

(включая детей) с ограниченными физическими, сенсорными или умственными способностями или недостатком опыта и знаний, за исключением случаев, когда использование происходит под непосредственным контролем или в соответствии с указаниями.

Следите за детьми, чтобы они не играли с прибором.

- В случае передачи изделия третьему лицу в личное пользование или в целях вторичного использования необходимо также передать руководство пользователя, наклейки изделия, а также другие связанные с ним документы и компоненты.
- Не устанавливайте устройство на ковровом покрытии. Недостаточная вентиляция под днищем устройства может привести к перегреву электрических деталей и проблемам в работе изделия.
- Работы по установке и ремонту должны выполняться только представителями авторизованной сервисной службы. Производитель не

несет ответственности за повреждения в результате выполнения работ лицами, не имеющими соответствующей квалификации. Это также может привести к аннулированию гарантии. Перед установкой внимательно прочтите инструкции.

- Не пользуйтесь неисправным изделием, а также при наличии на нем заметных повреждений.
- Проверяйте, чтобы после каждого использования переключатели функций изделия были выключены.

Правила техники безопасности при работе с газовым оборудованием

- Все работы с газовыми приборами и системами должны выполнять только квалифицированные специалисты, имеющие право на выполнение таких работ.
- Перед установкой проверьте, соответствуют ли параметры местной распределительной сети (давление и тип газа) настройкам прибора.
- Это устройство не подсоединяется к устройству для удаления продуктов горения. Это устройство не

подсоединяется к устройству для удаления продуктов горения. Установка и подключение прибора должны выполняться в соответствии с действующими нормами и правилами. Особое внимание следует уделить требованиям к вентиляции (см. раздел *До начала установки, стр. 17*).

- **ОСТОРОЖНО:** Во время эксплуатации газовой плиты она выделяет тепло, влагу и продукты сгорания в помещении, в котором установлена. Убедитесь, что кухня хорошо проветривается, в особенности во время использования прибора: держите открытыми отверстия, через которые осуществляется естественная вентиляция, или установите прибор для искусственной вентиляции (механическую надплитную вытяжку). Длительное интенсивное использование прибора может требовать дополнительной вентиляции, например, увеличения уровня мощности механической вытяжки, если она имеется.
- Необходимо регулярно проверять исправность газовых приборов и систем. Регулятор, шланг и его хомут

следует проверять регулярно и заменять в сроки, рекомендованные производителем, или по мере необходимости.

- Регулярно очищайте газовые горелки. Горелка должна гореть ровным голубым пламенем.
- Данное изделие должно использоваться в помещении, где установлен правильно отрегулированный и работоспособный датчик угарного газа. Убедитесь, что датчик угарного газа работает правильно и регулярно проходит техническое обслуживание. Датчик угарного газа должен устанавливаться на расстоянии не более 2 м от изделия.
- В газовых приборах необходимо обеспечить полное сжигание газа, так как при неполном сгорании газа выделяется угарный газ (СО). Угарный газ (монооксид углерода) - это очень ядовитый бесцветный газ без запаха, который даже в очень малых дозах вызывает отравление и смерть.
- Узнайте у своего поставщика газа телефон местной

аварийной службы газа, а также ознакомьтесь с мерами предосторожности, которые необходимо предпринимать при обнаружении запаха газа.

Меры предосторожности при обнаружении запаха газа

- Не пользуйтесь открытым пламенем и не курите. Не пользуйтесь электрическими выключателями (например, выключателем освещения, дверным звонком и т.д.). Не пользуйтесь стационарными и мобильными телефонами. Остерегайтесь взрыва и отравления газом!
- Перекройте все краны газовых приборов и газовых счетчиков
- Откройте окна и двери.
- Проверьте все трубы и соединения на герметичность. Если запах газа не исчезает, покиньте помещение.
- Предупредите соседей.
- Вызовите пожарную команду. Звоните по телефонному аппарату, который находится за пределами дома.
- Не входите в помещение, пока вам не сообщат, что это безопасно.

Электробезопасность

- В случае неисправности следует прекратить

эксплуатацию изделия, пока оно не будет отремонтировано в авторизованном сервисном центре. Существует риск поражения электрическим током!

- Изделие можно подключать только к заземленной розетке/линии, напряжение и уровень защиты которой соответствуют параметрам, указанным в разделе «Технические характеристики». Установку заземления должен выполнять квалифицированный специалист (при использовании прибора с трансформатором или без него). Наша компания не несет ответственности за какие-либо проблемы, возникшие вследствие использования изделия без заземления, выполненного в соответствии с местными нормами и правилами.
- Никогда не лейте воду на изделие во время мытья! Существует риск поражения электрическим током!
- Категорически запрещается дотрагиваться к штепсельной вилке влажными руками! Не тяните за кабель питания. Вынимая вилку из розетки,

беритесь непосредственно за вилку.

- Прежде чем приступать к установке, техническому обслуживанию, чистке и ремонту, изделие необходимо отключить от электросети.
- Во избежание несчастных случаев при повреждении кабеля питания его замену должен выполнять производитель, его специалист по сервису или лицо, имеющее аналогичную квалификацию.
- Электроприбор следует устанавливать таким образом, чтобы его можно было полностью отсоединить от сети электропитания. Отсоединение должно осуществляться с помощью штепсельной вилки или выключателя, встроенного в фиксированную сеть электропитания, в соответствии со строительными нормативами и правилами.
- Задняя стенка духового шкафа во время работы сильно нагревается. Следите за тем, чтобы газовые шланги и электрические провода не соприкасались с задней стенкой, так как это может привести к их повреждению.

- Следите за тем, чтобы шнур питания не был зажат между рамой и дверцей духового шкафа, и не прокладываете его по горячим поверхностям. В противном случае изоляция кабеля может расплавиться, что приведет к короткому замыканию и пожару.
- Все работы с электрическим оборудованием и системами должны выполняться только квалифицированными специалистами, допущенными к выполнению таких работ.
- В случае какого-либо повреждения выключите прибор и отсоедините его от электросети. Для этого выключите общий предохранитель в доме.
- Проверьте, соответствуют ли изделию номинальные характеристики предохранителя.

Безопасность изделия

- **ВНИМАНИЕ:** Данное изделие и его внешние части нагреваются в процессе использования. Будьте осторожны, не касайтесь нагревательных элементов. Детей младше 8 лет следует допускать к духовому шкафу только под постоянным присмотром взрослых.
- Не пользуйтесь прибором, находясь под воздействием алкоголя или лекарственных препаратов, снижающих скорость реакции или нарушающих координацию движений.
- Будьте осторожны при использовании спиртных напитков в приготавливаемых блюдах. При высокой температуре спирт испаряется и при соприкосновении с горячими поверхностями может загореться и вызвать пожар.
- Не располагайте рядом с прибором легковоспламеняющиеся материалы, так как во время работы его боковые поверхности могут сильно нагреваться.
- Во время работы устройство может нагреваться. Будьте осторожны, не касайтесь нагревательных элементов внутри духового шкафа.
- Следите за тем, чтобы вентиляционные отверстия были полностью открыты.
- Не разогревайте в духовом шкафу продукты в закрытых жестяных или стеклянных

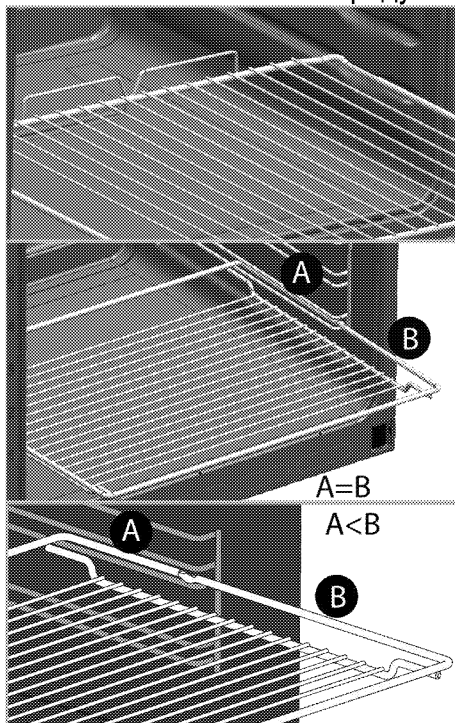
банках. Внутри банок может повыситься давление, что приведет к взрыву.

- Не ставьте противни или посуду непосредственно на дно духового шкафа, а также не кладите на него алюминиевую фольгу. Избыточное тепло может привести к повреждению дна духового шкафа.
- Не используйте для чистки стеклянной дверцы духового шкафа грубые абразивные чистящие средства или острые металлические скребки, чтобы не поцарапать поверхность, поскольку это может привести к разрушению стекла.
- Не используйте для чистки устройства пароочистители, поскольку это может привести к поражению электрическим током.

- (Может отличаться в зависимости от модели изделия.)

Правильное расположение проволочной решетки и противня на направляющих. Проволочную решетку и/или противень следует правильно устанавливать на направляющие. Вставьте проволочную решетку или противень между 2

направляющими и проверьте, устойчиво ли держится решетка или противень (см. рисунок). Только после этого можно класть на них продукты.



- Не пользуйтесь духовым шкафом, если стекло в передней дверце потрескалось или вынуто.
- Ручка духовки не предназначена для сушки полотенец. Если функция гриля включена, а дверца открыта, не вешайте полотенца, перчатки и другие тряпичные изделия.

- Помещая продукты в горячий духовой шкаф или вынимая их оттуда, обязательно пользуйтесь термостойкими рукавицами.
- Положите бумагу для выстилания пекарных форм в горшок для варки или на противень, решетку и т.д. вместе с приготавливаемыми пищевыми продуктами, и поместите все в предварительно нагретую печь. Удалите излишки бумаги, выступающие за пределы противня или горшка, чтобы они не смогли соприкоснуться с нагревательными элементами. Не используйте бумагу для выстилания пекарных форм, рабочая температура которой ниже температуры в печи. Не кладите бумагу непосредственно на основание печи.
- **ВНИМАНИЕ:** Перед заменой лампы убедитесь, что шнур питания прибора отключен от сети или что прерыватель цепи выключен, чтобы избежать поражения электрическим током.
- Прибор не следует устанавливать за декоративной дверцей, поскольку это может привести к перегреву.
- Прибор следует устанавливать прямо на пол. Не устанавливайте прибор на подставку или стойку.
- **ВНИМАНИЕ:** При приготовлении пищи с жиром или маслом не оставляйте варочную панель без присмотра, поскольку это может привести к возгоранию. Категорически **ЗАПРЕЩАЕТСЯ** гасить такое пламя водой; следует выключить устройство и накрыть огонь, например, крышкой или противопожарным покрытием.
- **ОСТОРОЖНО:** За процессом приготовления пищи необходимо следить. За кратковременным процессом приготовления пищи необходимо следить постоянно.
- **ВНИМАНИЕ:** Опасность пожара: не храните предметы на конфорках.

Для обеспечения пожарной безопасности изделия соблюдайте нижеуказанные правила.

- Убедитесь, что вилка плотно вставлена в розетку и не искрит.

- Запрещается использовать поврежденный либо обрезанный кабель, а также удлинитель; можно пользоваться только оригинальным кабелем.
- Убедитесь, что в розетке, к которой подключается изделие, отсутствуют жидкость или влага.
- Убедитесь, что подключение газа выполнено таким образом, чтобы исключить утечку газа.
- Производитель не несет ответственности за повреждения в результате использования изделия не по назначению или неправильного обращения с ним.
- Духовой шкаф можно использовать для размораживания, выпекания, жарения и приготовления продуктов на гриле.

Использование по назначению

- Данное изделие предназначено исключительно для бытового использования. Запрещается использовать прибор в коммерческих целях.
- **ОСТОРОЖНО:** Данное изделие предназначено исключительно для приготовления пищи. Его запрещено использовать для других целей, например, для обогрева помещения."
- Изделие не следует использовать с целью нагревания тарелок под грилем, сушики полотенца и посудных полотенца, путем развешивания их на ручках, а также для обогрева помещения.
- **Безопасность детей**
- **ВНИМАНИЕ:** Доступные части прибора могут сильно нагреваться при использовании. Не допускайте к ним детей.
- Упаковочные материалы опасны для детей. Храните упаковочные материалы в недоступном для детей месте. Утилизируйте все упаковочные материалы в соответствии с нормами по охране окружающей среды.
- Электрическое и/или газовое оборудование представляют опасность для детей. Во время работы духового шкафа не допускайте к нему детей, а также не разрешайте им играть с ним.

- Не размещайте над прибором предметы, которые дети могут попытаться достать.
- Не ставьте на открытую дверцу тяжелые предметы и не позволяйте детям садиться на нее, Духовой шкаф может перевернуться, а также могут быть повреждены петли дверцы.

Утилизация старого изделия

Соответствие Директиве ЕС об утилизации электрического и электронного оборудования (WEEE) и утилизация вышедшего из употребления оборудования:



Данное изделие соответствует Директиве ЕС об утилизации электрического и электронного оборудования (2012/19/EU). Данное изделие имеет маркировку, указывающую на утилизацию его как электрического и электронного оборудования (WEEE).

Это изделие произведено из высококачественных деталей и материалов, которые подлежат повторному использованию и переработке. Поэтому не выбрасывайте изделие с обычными бытовыми отходами после завершения его эксплуатации. Его следует сдать в соответствующий центр по утилизации электрического и электронного оборудования. О местонахождении таких центров вы можете узнать в местных органах власти.

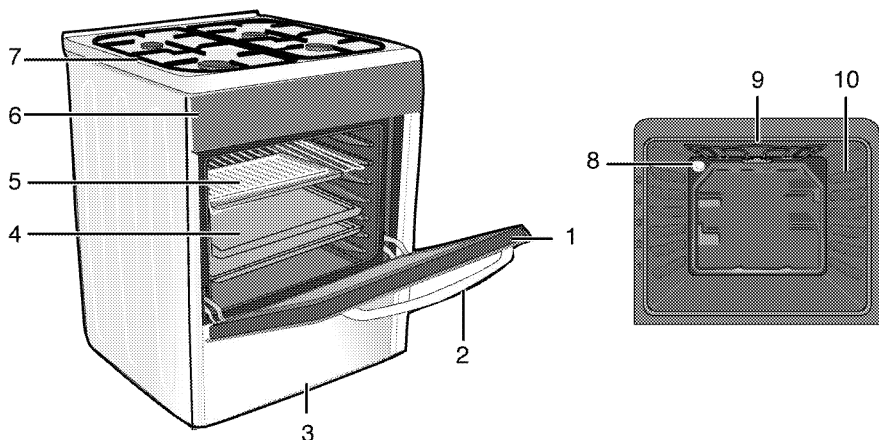
Соответствие Директиве ЕС об ограничении содержания вредных веществ (RoHS):
 Приобретенное вами изделие соответствует Директиве ЕС о правилах ограничения содержания вредных веществ (2011/65/EU). Оно не содержит вредных и запрещенных материалов, указанных в Директиве.

Утилизация упаковочных материалов

- Упаковочные материалы опасны для детей. Храните упаковочные материалы в безопасном и недоступном для детей месте. Упаковочные материалы изделия изготовлены из материалов, подлежащих вторичной переработке. Утилизируйте их соответствующим образом и сортируйте согласно инструкций по обращению с отходами, подлежащими вторичной переработке. Не утилизируйте их вместе с обычными бытовыми отходами.

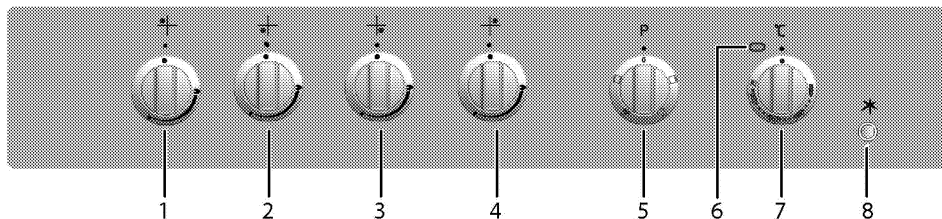
2 Общие сведения

Обзор



- 1 Передняя дверца
- 2 Ручка дверцы
- 3 Нижняя часть
- 4 Противень
- 5 Проволочная решетка

- 6 Панель управления
- 7 Крышка конфорки
- 8 Лампочка
- 9 Нагревательный элемент гриля
- 10 Положения полок



- 1 Нормальная конфорка Задняя левая
- 2 Конфорка быстрого нагрева Передняя левая
- 3 Дополнительная конфорка Передняя правая
- 4 Нормальная конфорка Задняя правая
- 5 Ручка выбора функции
- 6 Лампочка термостата
- 7 Ручка термостата
- 8 Кнопка розжига

Содержание упаковки

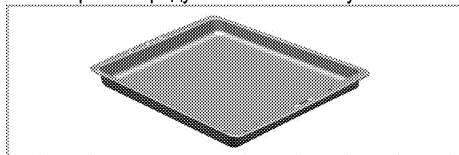


Изделие комплектуется различным набором дополнительных принадлежностей в зависимости от модели. Некоторые дополнительные принадлежности, описанные в руководстве пользователя, в комплекте этого изделия могут отсутствовать.

1. Руководство пользователя

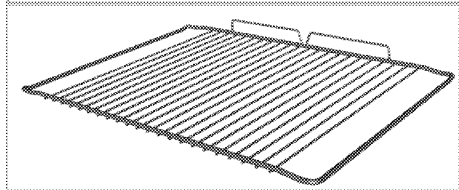
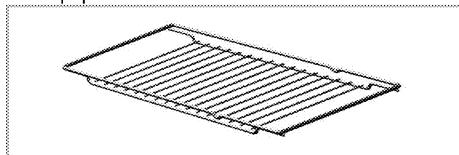
2. Противень

Предназначен для выпечки изделий из теста, размораживания замороженных продуктов и жарения продуктов большими кусками.



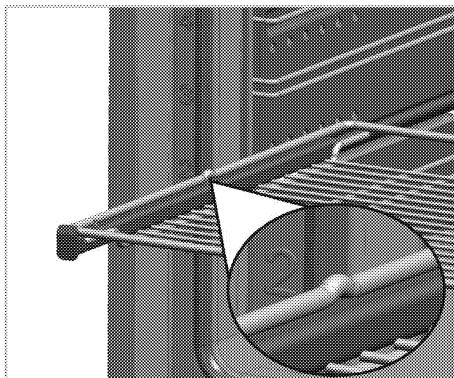
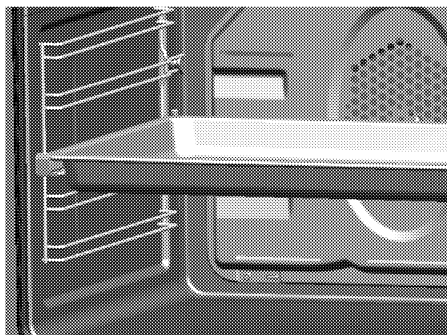
3. Проволочная решетка

Предназначена для жарения, а также для размещения продуктов на нужной полке при выпечке, жарении или приготовлении в формах.

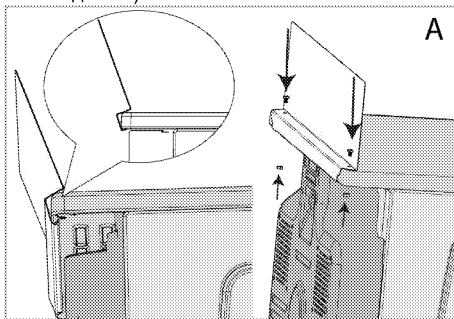


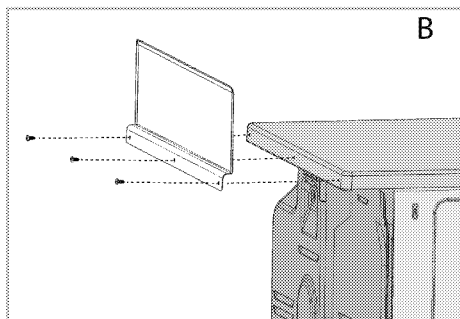
4. Правильное расположение проволочной решетки на выдвижных направляющих (Данная функция — дополнительная. Она может отсутствовать в вашем изделии.)

Благодаря наличию выдвижных направляющих можно легко устанавливать и выдвигать противни и проволочную решетку. При установке противней или проволочной решетки следите за тем, чтобы края противня или решетки опирались на штырьки, расположенные на задней части выдвижных направляющих.



5. Защитная панель в сборе (Может отличаться в зависимости от модели изделия.)





Изделие может быть оснащено защитной панелью типа А или В. Подберите защитную панель в соответствии с моделью, как показано на рисунках ниже. Не затягивайте винты слишком сильно, чтобы избежать каких-либо повреждений изделия или защитной панели.

Технические характеристики

ОБЩИЕ СВЕДЕНИЯ	
Габариты (высота / ширина / глубина)	850 мм/500 мм/600 мм
Напряжение/частота	220-240 В ~ 50 Гц
Общая потребляемая мощность	1.9 кВт
Предохранитель	10 А
Тип кабеля/сечение	мин. H05VV-FG 3 x 1 мм ²
Категория газового прибора	Cat II 2H3B/P
Тип газа/давление	NG G 20/20 мбар
Общий расход газа	7.9 кВт
Переход на тип газа/давление [§]	LPG G 30/28-30мбар
– дополнительно	NG G 20/10 мбар - NG G 20/13 мбар
ВАРОЧНАЯ ПАНЕЛЬ	
Конфорки	
Задняя левая	Нормальная конфорка
Мощность	2 кВт
Передняя левая	Конфорка быстрого нагрева
Мощность	2.9 кВт
Передняя правая	Дополнительная конфорка
Мощность	1 кВт
Задняя правая	Нормальная конфорка
Мощность	2 кВт
ДУХОВКА/ГРИЛЬ	
Главный духовой шкаф	Обычный духовой шкаф
Лампочка внутреннего освещения	15–25 Вт
Гриль: потребляемая мощность	1.6 кВт
Класс защиты -1	

Степень защиты IP 44

Основные сведения Данные на паспортной табличке энергопотребления электрических духовых шкафов приведены в соответствии со стандартом EN 60350-1 / IEC 60350-1. Эти данные определены при стандартной нагрузке с функциями нижнего-верхнего нагревательного элемента или нагрева с помощью вентилятора (при наличии).

Класс энергетической эффективности определен в соответствии с приведенными ниже приоритетами в зависимости от наличия или отсутствия соответствующих функций в изделии. 1 - Приготовление с вентилятором - экономичный режим, 2 - Медленное приготовление в турборежиме, 3 - Приготовление в турборежиме, 4 - Нагрев сверху и снизу с вентилятором, 5 - Нагрев сверху и снизу.

«Этикетка энергоэффективности представлена на продукте»



При усовершенствовании качества продукции технические характеристики могут быть изменены без предварительного уведомления.



Иллюстрации в данном руководстве являются схематичными и могут несколько отличаться от конкретного изделия.



Значения, указанные на этикетках изделия или в сопроводительной документации, получены в лабораторных условиях согласно соответствующим стандартам. Эти данные могут быть иными в зависимости от условий эксплуатации изделия.

Характеристики горелок

Расположение конфорки	2 кВт Задняя левая	2.9 кВт Передняя левая	1 кВт Передняя правая	2 кВт Задняя правая
Тип газа / давление				
G 20/10 мбар	125	155	90	125
G 20/13 мбар	116	145	84	116
G 20/20 мбар	103	115	72	103
G 30/28-30 мбар	72	87	50	72

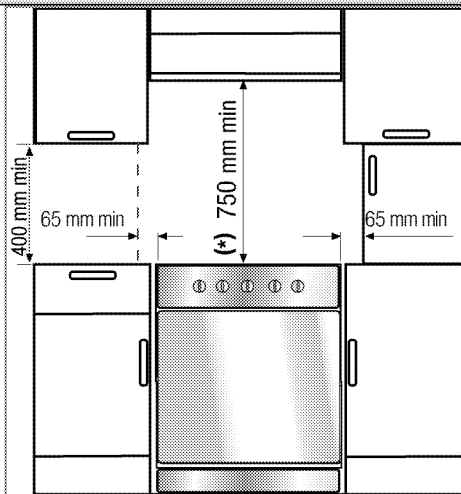
3 Установка

Прибор должен устанавливаться квалифицированным специалистом в соответствии с действующими нормами и правилами. В противном случае гарантия аннулируется. Производитель не несет ответственности за повреждение в результате выполнения работ лицами, не имеющими соответствующей квалификации. Это может привести к аннулированию гарантии.

	Подготовка места установки, электрического и газового оборудования обеспечивается покупателем.
	ОПАСНО: Бытовой прибор следует устанавливать в соответствии со всеми местными нормами по подключению газового и/или электрического оборудования.
	ОПАСНО: Прежде чем приступить к установке, визуально проверьте отсутствие внешних дефектов духового шкафа. При наличии дефектов не устанавливайте его. Поврежденные электроприборы представляют собой угрозу вашей безопасности.

До начала установки

Для того чтобы обеспечить наличие необходимых зазоров для циркуляции воздуха под плитой, рекомендуем устанавливать ее на твердом основании так, чтобы ножки не погружались в ковер или мягкое напольное покрытие. Кухонный пол должен выдерживать вес прибора с учетом веса посуды и продуктов.



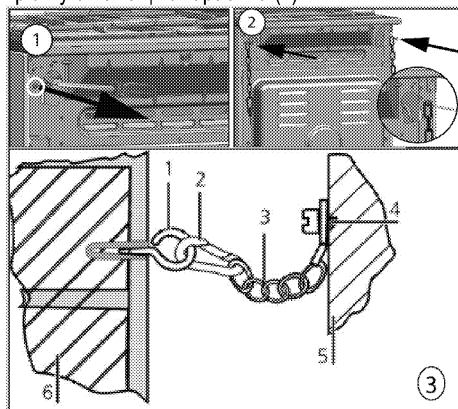
- Ее можно использовать с кухонными шкафами с обеих сторон, однако следует оставить свободное пространство минимум 400 мм над уровнем конфорок, а также боковое свободное пространство не менее 65 мм между плитой и стеной, перегородкой или высоким кухонным шкафом.
- Плита может также стоять отдельно. Обеспечьте свободное расстояние не менее 750 мм от поверхности плиты до поверхностей над ней.
- В случае установки надплитного воздухоочистителя соблюдайте инструкции его производителя в отношении высоты монтажа устройства (мин. 650 мм).
- Это устройство соответствует требованиям к приборам класса 1, и его можно устанавливать так, чтобы задняя и **одна** из боковых стенок примыкали к стенам помещения, стенкам кухонных шкафчиков или бытовых приборов любой высоты. Кухонная мебель или бытовые приборы, примыкающие с **другой** стороны, должны быть не выше прибора.
- Вся кухонная мебель, рядом с которой устанавливается устройство, должна быть термостойкой (не менее 100 °C).

Предохранительная цепь

Если изделие оснащено двумя предохранительными цепями(2);

Для обеспечения устойчивости изделия его необходимо закрепить с помощью двух предохранительных цепей, входящих в комплект поставки.

С помощью соответствующего дюбеля установите крючок (1) в стене кухни (6), а затем подсоедините предохранительную цепь (3) к крючку с помощью карабина (2).



- 1 Крючок
- 2 Карабин
- 3 Предохранительная цепь
- 4 Прочно закрепите цепь с задней стороны плиты
- 5 Задняя сторона плиты
- 6 Стена кухни

Если изделие оснащено одной предохранительной цепью(1);

Для обеспечения устойчивости изделия его необходимо закрепить с помощью входящей в комплект поставки предохранительной цепи на духовом шкафу.

Следуйте указаниям на рисунке ниже для крепления предохранительной цепи к изделию.



Предохранительная цепь должна быть как можно короче, чтобы исключить опрокидывание изделия как вперед, так и в сторону.

Вентиляция помещения

Во всех помещениях должно быть открывающееся окно, а в некоторых помещениях потребуется также наличие постоянной вентиляции. Забор воздуха для процесса горения производится в помещении, и уходящие газы выделяются непосредственно в помещение. Поэтому для безопасной эксплуатации устройства необходимо обеспечить в помещении хорошую вентиляцию.

Помещения с дверями и (или) окнами, которые открываются непосредственно наружу

В дверях и (или) окнах, которые открываются непосредственно наружу, должно быть общее вентиляционное отверстие с размерами, указанными в таблице ниже, с учетом общей мощности газового потока устройства (общая потребляемая мощность газового потока устройства показана в таблице технических характеристик в данном руководстве пользователя). Если в дверях и (или) окнах нет общего вентиляционного отверстия, соответствующего общему расходу газа устройства, как указано в таблице ниже, тогда в помещении обязательно должно быть дополнительное постоянное вентиляционное отверстие, чтобы обеспечить выполнение общих минимальных требований к вентиляции в соответствии с общим расходом газа в данном

устройстве. В качестве постоянного вентиляционного отверстия можно применить отверстия для существующих воздуховодов, например отверстия с размерами воздуховода бытовой вытяжки и т. д.

Общий расход газа (кВт)	мин. вентиляционное отверстие (см)²
0–2	100
2–3	120
3–4	175
4–6	300
6–8	400
8–10	500
10–11,5	600
11,5–13	700
13–15,5	800
15,5–17	900
17–19	1000
19–24	1250

Помещения, не имеющие дверей и (или) окон, которые могут открываться непосредственно наружу

Если в помещении, где устанавливается устройство, отсутствуют дверь и (или) окно, которые открываются непосредственно наружу, следует найти иную продукцию, определенно позволяющую обеспечить наличие постоянного нерегулируемого и незакрываемого вентиляционного отверстия и выполнение общих минимальных требований к вентиляции в соответствии с общим расходом газа в данном устройстве, как указано в приведенной выше таблице. Кроме того, следует соблюдать соответствующие рекомендации по строительным нормам.

Если помещение или внутреннее пространство содержит более одного газового устройства, то в дополнение к требованию, указанному в таблице выше, должна быть обеспечена зона дополнительной вентиляции. Размер дополнительной вентиляционной зоны должен соответствовать требованиям других газовых приборов.

В помещении, где установлено изделие, также должен быть предусмотрен минимальный свободный зазор 10 мм между полом и нижним краем двери, которая открывается внутрь помещения. Необходимо обеспечить, чтобы такие изделия, как ковры, перекрытия и т. д., не

перекрывали данное свободное пространство, когда дверь закрыта.

Плита может устанавливаться в кухне, в кухне-столовой или в жилой комнате, но не в помещении с ванной или душем. Плиты запрещается устанавливать в жилой комнате площадью менее 20 кв. м.³.

Не устанавливайте плиту в помещении, находящемся ниже уровня поверхности, если оно не выходит на уровень поверхности хотя бы одной стороной.

Установка и подключение

Прибор следует устанавливать и подключать в соответствии с действующими нормами и правилами.



Не устанавливайте изделие рядом с холодильником или морозильной камерой. Поскольку духовой шкаф излучает тепло, холодильники будут потреблять больше электроэнергии.

- Переносить прибор должны не менее двух человек.
- Прибор следует устанавливать прямо на пол. Не устанавливайте прибор на подставки.



Не перемещайте устройство, держась за дверцу и/или за ручку дверцы. Дверца, ручка или петли могут повредиться.

Подключение к электросети

Подключайте изделие к розетке или линии с заземлением, защищенной миниатюрным автоматическим выключателем с соответствующим номиналом, который указан в таблице «Технические характеристики». Установку заземления должен выполнять квалифицированный электрик (при использовании изделия с трансформатором или без него). Наша компания не несет ответственности за ущерб, понесенный вследствие использования изделия без заземления, выполненного в соответствии с местными нормами и правилами.

**ОПАСНО:**

Подключение прибора к электросети должен выполнять квалифицированный специалист, имеющий право на выполнение таких работ. Гарантийный период начинается только после правильной установки. Производитель не несет ответственности за повреждения в результате выполнения работ лицами, не имеющими соответствующей квалификации.

**ОПАСНО:**

Шнур питания не должен быть сдавлен, изогнут или зажат, а также не должен соприкасаться с нагревающимися компонентами изделия. Замену поврежденного шнура питания должен выполнять квалифицированный электрик. В противном случае это может привести к поражению электрическим током, короткому замыканию или возгоранию!

Параметры электрической сети должны соответствовать данным, указанным на паспортной табличке прибора. Паспортную табличку можно увидеть либо при открытой дверце или нижней крышке, либо на задней стенке прибора, в зависимости от типа прибора. Шнур питания прибора должен соответствовать параметрам, указанным в таблице "Технические характеристики".



К штепсельной вилке шнура питания после установки должен быть обеспечен легкий доступ (не прокладывайте шнур над варочной поверхностью).



При монтаже проводки необходимо соблюдать национальные/местные электротехнические правила и нормы, а также использовать соответствующие розетки/штепсельные вилки и вилку для духовки. В случае если предельные значения мощности продукции превышают допустимую нагрузку на вилку и розетку, изделие должно быть подключено через стационарное электрическое оборудование напрямую без использования вилки и розетки.

**ОПАСНО:**

Перед выполнением каких-либо электромонтажных работ отключите прибор от электрической сети. Существует риск поражения электрическим током!

Включите шнур питания в розетку.

Подключение газа**ОПАСНО:**

Подключение прибора к электрической сети должен выполнять квалифицированный специалист, имеющий право на выполнение таких работ. Непрофессиональный ремонт может привести к взрыву или отравлению газом! Производитель не несет ответственности за повреждения в результате выполнения работ лицами, не имеющими соответствующей квалификации.

**ОПАСНО:**

Перед выполнением каких-либо работ по монтажу газовых приборов перекройте подачу газа. Это может привести к взрыву!

- Тип и давление газа, на которые отрегулирован прибор, указаны на паспортной таблице или маркировке.



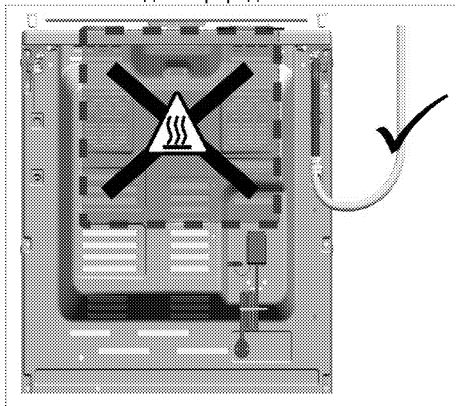
На ваше изделие может подаваться природный газ (NG).

- Узел подачи природного газа должен быть надлежащим образом подготовлен к сборке перед установкой изделия.
- Подключение вашего изделия к газораспределительной сети будет выполняться авторизованным персоналом.
- Для подключения изделия к газораспределительной сети на выпускном отверстии узла должна быть гибкая труба, а конец трубы должен быть закрыт глухой заглушкой. Глухая заглушка должна быть удалена при выполнении соединения, а изделие подключается с использованием плоского соединительного устройства (рукава).
- Глухая заглушка должна быть удалена при выполнении соединения, а изделие подключается с использованием плоского соединительного устройства (рукава).

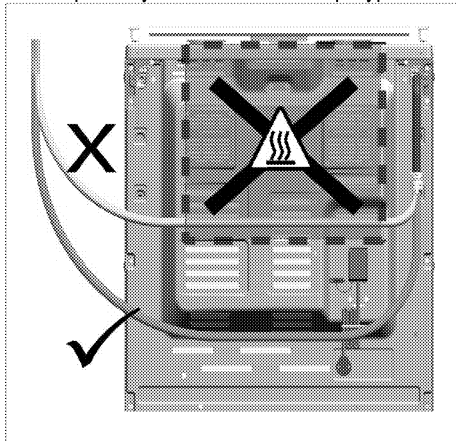
- Если впоследствии возникнет необходимость перевести изделие на другой вид газа, обратитесь в авторизованный сервисный центр по вопросу выполнения соответствующей процедуры.

Если изделие оснащено одним газовыпускным патрубком;

- Перед подсоединением газового шланга проверьте, что выпускное отверстие газового шланга в задней части изделия находится на той же стороне изделия, что и клапан подачи природного газа.



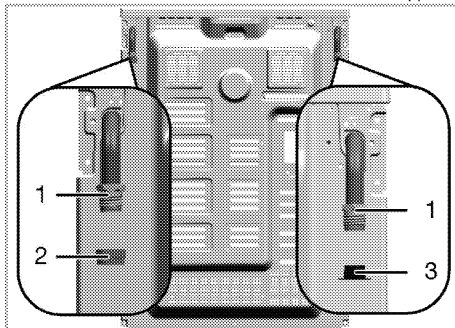
- Если выпускное отверстие газового шланга и клапан подачи природного газа не расположены на одной стороне, проверьте, чтобы шланг при соединении не проходил через зону повышенной температуры.



Если изделие оснащено двумя газовыпускными патрубками;

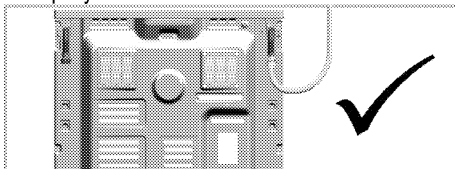
- Один из двух газовыпускных патрубков закрыт глухой заглушкой, а другой закрыт

пластмассовой заглушкой. Расположение глухой заглушки и пластмассовой заглушки может отличаться в зависимости от изделия.

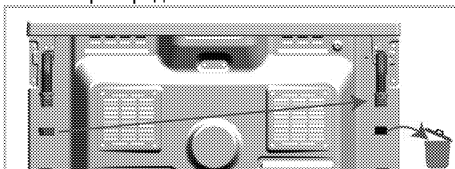


- 1 Выпускное отверстие газового шланга
- 2 Глухая заглушка
- 3 Пластмассовая заглушка

- Перед подключением к газораспределительной сети проверьте, что клапан природного газа и выпускное отверстие газового шланга подключаемого изделия находятся на одной стороне.
- Если клапан природного газа и выпускное отверстие газового шланга, закрытое пластмассовой заглушкой, выходят на одну сторону, выполните подключение к газораспределительной сети как показано на рисунке ниже.

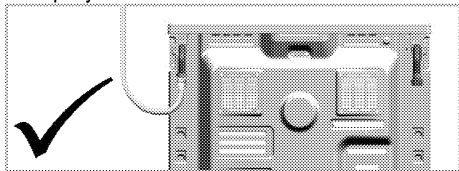


- Если клапан природного газа и газовый шланг, закрытый глухой заглушкой, выходят на одну сторону, снимите и утилизируйте пластмассовую заглушку. Удалите глухую заглушку и закройте выпускное отверстие газового шланга новой (неиспользованной) уплотнительной прокладкой в месте, где не будет выполняться подключение к газораспределительной сети.



- Выполните подключение к газораспределительной сети на выпускном

отверстии газового шланга возле клапана подачи природного газа как показано на рисунке ниже.



Риск пожара:

Выполнение подключения в нарушение представленных ниже инструкций влечет за собой риск утечки газа и пожара. **Наша компания не несет ответственности за ущерб, понесенный в результате нарушения инструкций.**

- Подключение к газораспределительной сети должно выполняться только персоналом авторизованного поставщика услуг.
- Подключение изделия к газораспределительной сети обязательно должно выполняться через выпускное отверстие газового шланга возле клапана природного газа.
- Пластмассовая заглушка должна быть утилизирована, а выпускное отверстие газового шланга, который не будет использоваться, должно быть закрыто глухой заглушкой.
- При закрытии глухой заглушкой выпускного отверстия газового шланга, который не будет использоваться, обязательно должна быть использована новая и неиспользованная уплотнительная прокладка.



ОПАСНО:

Гибкий газовый шланг должен быть подсоединен таким образом, чтобы он не касался окружающих его движущихся частей и чтобы они не зацепляли шланг при движении.
(например, выдвижные ящики) Кроме того, шланг не должен располагаться в тех местах, где он может быть пережат.



ОПАСНО:

Газовый шланг не должен быть сдавлен, изогнут или зажат, а также не должен соприкасаться с нагревающимися компонентами изделия.
Поврежденный газовый шланг может привести к взрыву.

Проверка соединения на утечку газа

- Установите все регуляторы изделия в положение «Выключено». Установите все регуляторы изделия в положение «Выключено». Для проверки утечки газа приготовьте мыльную пену и нанесите ее на место подсоединения шланга.
- Для проверки утечки газа приготовьте мыльную пену и нанесите ее на место подсоединения шланга. В этом случае еще раз проверьте подсоединение газового шланга.
- Если изделие оснащено двумя газовыпускными патрубками, обеспечьте, чтобы неиспользуемый газовыпускной патрубок был закрыт глухой заглушкой. Приготовьте мыльную пену и нанесите ее на точку установки глухой заглушки для проверки на наличие утечек газа. В случае утечки газа мыльная пена будет пузыриться. В этом случае еще раз проверьте установку глухой заглушки.
- Вместо мыльной пены вы можете использовать имеющиеся в продаже спреи для проверки утечки газа.



Ни в коем случае не используйте для проверки утечки газа спички или зажигалку.

- Придвиньте прибор к стене кухни.
- **Регулирование ножек духовки**
При наличии вибрации посуда во время приготовления может сдвигаться. Для предотвращения опасных ситуаций необходимо, чтобы прибор стоял ровно и устойчиво.
В целях безопасности, выровняйте прибор с помощью 4 регулируемых ножек ножки. Для этого поворачивайте их влево и вправо до тех пор, пока прибор не будет ровно стоять на столешнице.

Окончательная проверка

1. Проверьте, работают ли электрические компоненты.
2. Откройте подачу газа.
3. Проверьте места подключения газа на надежность закрепления и герметичность.
4. Зажгите горелки и проверьте внешний вид пламени.

i Пламя должно быть голубым и иметь обычную форму. Если пламя имеет желтоватый оттенок, проверьте положение накладки горелки или прочистите горелку.

Переход на другой вид газа

! **ОПАСНО:**
Перед выполнением каких-либо работ по монтажу газовых приборов перекройте подачу газа.
Это может привести к взрыву!

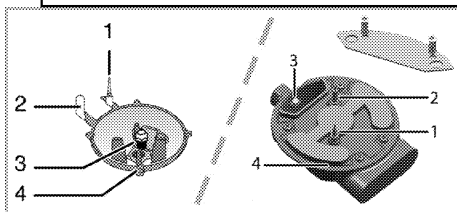
Для перехода на другой вид газа необходимо заменить все форсунки прибора и отрегулировать все краны для уменьшения подачи газа.

Замена форсунок в горелках

1. Снимите накладку горелки и выньте корпус горелки.
2. Вывинтите форсунки, поворачивая против часовой стрелки.
3. Вставьте новые форсунки.
4. Проверьте соединения на надежность закрепления и герметичность.

i Расположение новых форсунок указано на упаковке или в таблице на *Характеристики горелок, стр. 16*.

i ((Может отличаться в зависимости от модели изделия.))
В некоторых моделях конфорки форсунка закрыта металлической крышкой. Для замены форсунки металлическую крышку необходимо снять.



- 1 Устройство газ-контроля (в зависимости от модели)
- 2 Свеча зажигания
- 3 Форсунка
- 4 Горелка

i Не снимайте газовые краны горелок без особой необходимости. В случае необходимости замены кранов обращайтесь только в фирменный сервисный центр.

Регулировка газовых кранов для уменьшения подачи газа

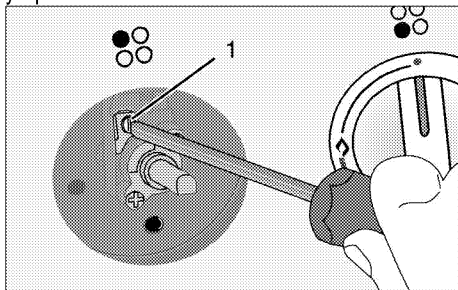
1. Зажгите горелку, которую нужно отрегулировать, и установите ручку регулятора в положение минимального пламени.
2. Снимите ручку регулятора с газового крана.
3. К винту регулировки подачи газа примените отвертку соответствующего размера.

Для сжиженного нефтяного газа (бутан-пропан) следует повернуть винт по часовой стрелке. Для природного газа следует повернуть винт на один оборот **против часовой стрелки**.

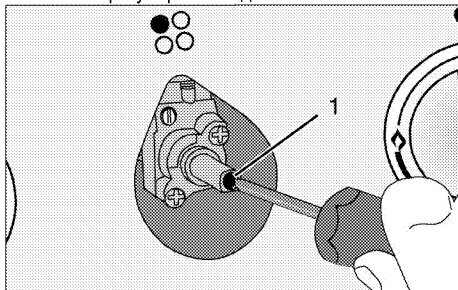
» Нормальная высота прямого пламени при установке регулятора в положение минимального пламени должна составлять 6-7 мм.

4. Если пламя выше, чем нужно, поверните винт по часовой стрелке, если ниже – поверните в противоположную сторону.
5. В качестве заключительной проверки установите регулятор конфорки в положение максимального и минимального пламени и проверьте воспламенение и выключение огня.

Положение винта регулировки подачи зависит от типа газового вентиля, используемого в устройстве.



1 Винт регулировки подачи газа



1 Винт регулировки подачи газа



При замене типа газа необходимо также заменить и паспортную табличку прибора, содержащую информацию о потребляемом газе.

- Закрепите накладки горелок и подставки для посуды клейкой лентой.
- Не поднимайте и не передвигайте духовой шкаф, держась за дверцу или за ручку дверцы.



Не размещайте на приборе никаких предметов и не ставьте его вертикально.



Осмотрите прибор снаружи на предмет возможных повреждений при транспортировке.

Для будущей транспортировки

- Сохраните оригинальную упаковочную коробку и перевозите прибор в ней. Следуйте указаниям, нанесенным на упаковке. Если оригинальная упаковочная коробка не сохранилась, заверните изделие в пузырчатую упаковку или поместите в плотный картон. Надежно заклейте клейкой лентой.
- Чтобы проволочная решетка и противень, которые хранятся внутри духовки, не повредили дверцу, поместите с внутренней стороны дверцы картонную полоску вровень с противнями. Прикрепите дверцу духового шкафа к боковым стенкам клейкой лентой.

4 Подготовка к эксплуатации

Рекомендации по экономии электроэнергии

Эти рекомендации помогут вам использовать изделие экологически чистым способом и экономить электроэнергию.

- Используйте в духовом шкафу темную или эмалированную посуду: это позволит улучшить теплопередачу.
- Прогревайте духовой шкаф перед приготовлением пищи, если это рекомендуется в руководстве пользователя или в инструкциях по приготовлению продуктов.
- Во время приготовления пищи не открывайте дверцу духового шкафа слишком часто.
- По возможности старайтесь готовить в духовом шкафу несколько блюд одновременно. При приготовлении пищи на решетку можно устанавливать по две емкости с продуктами.
- Готовьте блюда одно за другим. Духовой шкаф уже будет прогрет.
- Для экономии электроэнергии можно выключать духовой шкаф за несколько минут до окончания приготовления блюда. Не открывайте дверцу духового шкафа.
- Размораживайте замороженные продукты перед приготовлением.
- Готовьте пищу в закрытой посуде. При приготовлении в открытой посуде энергопотребление может возрасти в 4 раза.
- Выбирайте конфорку соответственно размеру дна посуды. Обязательно выбирайте посуду соответственно объему приготовляемого блюда. Чем больше объем посуды, тем выше энергопотребление.

Подготовка к эксплуатации

Очистка прибора перед началом эксплуатации



Некоторые моющие средства и чистящие материалы могут повредить поверхность. Не используйте для чистки агрессивные моющие средства, чистящие порошки/кремы, а также острые предметы.

1. Снимите все упаковочные материалы.
2. Протрите поверхность прибора влажной тканью или губкой и вытрите насухо.

Первоначальный прогрев

Прогрейте прибор в течение 30 минут, а затем выключите. Это обеспечит выгорание и удаление производственных загрязнений и покрытий.



ПРЕДУПРЕЖДЕНИЕ!

Горячие поверхности могут причинить ожоги!

Во время работы прибор может сильно нагреваться. Не прикасайтесь к горячим конфоркам, внутренним частям духового шкафа, нагревательным элементам и т.п. Не разрешайте детям приближаться к нему.

Помещая продукты в горячий духовой шкаф или вынимая их оттуда, обязательно пользуйтесь термостойкими перчатками.

Электрический духовой шкаф

1. Выньте из духового шкафа все противни и решетку.
2. Закройте дверцу духового шкафа.
3. Выберите положение Static (Статический)
4. Включите гриль на максимальную мощность (см. раздел *Правила эксплуатации электрической духовки, стр. 28*).
5. Дайте духовому шкафу поработать около 30 минут.
6. Затем выключите духовой шкаф (см. раздел *Правила эксплуатации электрической духовки, стр. 28*).

Духовой шкаф с грилем

1. Выньте из духового шкафа все противни и решетку.
2. Закройте дверцу духового шкафа.
3. Включите гриль на максимальную мощность (см. раздел *Как пользоваться грилем, стр. 31*).
4. Дайте духовому шкафу поработать около 30 минут.
5. Затем выключите духовой шкаф (см. раздел *Как пользоваться грилем, стр. 31*).



При первом включении в течение нескольких часов возможно выделение дыма и запаха. Это вполне нормально.

Убедитесь, что кухня хорошо проветривается, чтобы удалить дым и запах. Не вдыхайте выделяющиеся дым и запахи.

5 Правила эксплуатации варочной панели

Общие сведения о приготовлении пищи



Не заполняйте кастрюлю растительным маслом более чем на одну треть. При нагревании масла не оставляйте варочную панель без присмотра. Остерегайтесь возгорания раскаленных масел. **Не тушите огонь водой!** При возгорании масла накройте посуду одеялом или влажной тканью. По возможности выключите варочную панель и позвоните в пожарную службу.

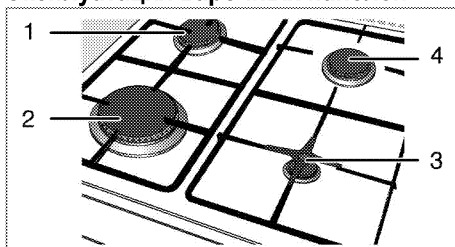
- Перед жареньем продукты нужно обязательно обсушивать. Опускайте продукты в горячий жир с осторожностью. Замороженные продукты перед жареньем следует полностью разморозить.
- Посуду, в которой разогревается жир, накрывать нельзя.
- Посуду следует ставить на плиту таким образом, чтобы ручки не нагревались над горячей поверхностью плиты. Не ставьте на плиту неустойчивую посуду, которая легко опрокидывается.
- Не ставьте на включенные конфорки пустую посуду – это может привести к ее повреждению.
- Не оставляйте включенными конфорки, на которых нет посуды – это может привести к повреждению плиты. Обязательно выключайте конфорки после окончания приготовления пищи.
- Не ставьте на плиту пластмассовую или алюминиевую посуду, так как на горячей поверхности они могут расплавиться. Такую посуду также не следует использовать для хранения пищевых продуктов.
- Можно использовать только посуду с плоским дном.
- Размер посуды должен соответствовать количеству продуктов. Тогда продукты не будут выплескиваться из посуды, и не придется лишний раз мыть плиту.

Не кладите на конфорки крышки кастрюль. Размещайте посуду по центру конфорки. Если нужно переместить посуду на другую конфорку, поднимите ее и переставьте. Ни в коем случае не передвигайте посуду по поверхности плиты.

Приготовление пищи на газовой конфорке

- Диаметр пламени должен соответствовать размеру посуды. Пламя газовой конфорки следует регулировать таким образом, чтобы оно не выходило за пределы дна посуды. Посуду следует ставить по центру конфорки.

Эксплуатация варочных панелей



- 1 Нормальная конфорка 18-20 см
- 2 Конфорка быстрого нагрева 22-24 см
- 3 Дополнительная конфорка 12-18 см
- 4 Нормальная конфорка 18-20 см список рекомендованных диаметров посуды для использования на соответствующих конфорках.



ПРЕДУПРЕЖДЕНИЕ!

Не пользуйтесь посудой вне указанной зоны. Использование посуды большого размера вызывает опасность отравления угарным газом, перегрев прилегающих поверхностей и ручек управления. Использование небольшой посуды приводит к риску получения ожогов от пламени.

Большой символ пламени соответствует максимальному уровню мощности, а маленький символ пламени – минимальному. В положении «выключено» (верхняя точка) подача газа к горелкам прекращается.

Розжиг газовых горелок



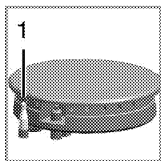
Розжиг газовых горелок выполняется с помощью кнопок розжига.

1. Прижмите регулятор горелки и
2. поверните его против часовой стрелки в сторону большого символа пламени.
3. Нажмите и отпустите кнопку розжига. Повторяйте эту процедуру, пока газ не загорится.
4. Установите нужный уровень мощности.

Выключение газовых горелок

Поверните регулятор зоны подогрева в положение «Выключено» (вверх).

Система предотвращения утечки газа (в моделях с термопарой)



1. Система предотвращения утечки газа

Горелки снабжены предохранительным механизмом, прекращающим подачу газа, если пламя внезапно погаснет, например, его зальет жидкость.

- Для розжига прижмите регулятор и поверните его против часовой стрелки.

- Чтобы включить систему защиты, после воспламенения газа удерживайте регулятор в нажатом положении еще 3-5 секунд.
- Если после нажатия и отпускания регулятора пламя погаснет, повторите те же действия, удерживая регулятор в нажатом положении в течение 15 секунд.



ОПАСНО:

Если в течение 15 секунд розжиг горелки не произошел, отпустите кнопку. Повторите попытку не ранее, чем через 1 минуту. Существует риск накопления газа и взрыва!

6 Правила эксплуатации духовки

Общие сведения о выпекании, жарении и приготовлении с грилем



ПРЕДУПРЕЖДЕНИЕ!

Горячие поверхности могут причинить ожоги!

Во время работы прибор может сильно нагреваться. Не прикасайтесь к горячим конфоркам, внутренним частям духового шкафа, нагревательным элементам и т.п. Не разрешайте детям приближаться к нему.

Помещая продукты в горячий духовой шкаф или вынимая их оттуда, обязательно пользуйтесь термостойкими рукавицами.



ОПАСНО:

Будьте осторожны, открывая дверцу духового шкафа, так как наружу может выходить пар.

Выпускаемый пар может обжечь вам руки, лицо и/или глаза.

Советы по выпеканию

- Используйте антипригарные металлические тарелки или алюминиевые контейнеры с соответствующим покрытием, либо термостойкие силиконовые формы.
- Рационально используйте площадь решетки.
- Устанавливайте форму для выпекания в середине решетки.
- Выбирайте правильное положение решетки перед включением духового шкафа или гриля. Не изменяйте положение решетки, когда духовой шкаф горячий.
- Держите закрытой дверцу шкафа.

Советы по приготовлению жареных блюд

- Тушку курицы или индейки и большие куски мяса перед приготовлением рекомендуется сбрызнуть лимонным соком и посыпать черным перцем. Тогда готовое блюдо будет вкуснее.
- Мясо с костями следует жарить на 15-30 минут дальше, чем такое же количества мяса без костей.
- На каждый сантиметр толщины мяса требуется приблизительно 4-5 минут времени приготовления.
- По истечении времени приготовления мяса оставьте его в духовом шкафу примерно на 10 минут. Сок лучше распределится внутри

куска жареного мяса и не будет вытекать, когда вы будете разрезать мясо.

- Рыбу в термостойкой посуде следует готовить на решетке, установленной на средний или нижний уровень.

Советы по приготовлению продуктов на гриле

При приготовлении на гриле мясо, рыба или птица быстро поджаривается, сверху образуется хрустящая корочка, и продукт не пересыхает. На гриле можно отлично приготовить не только тонкие куски мяса, шашлыки и сосиски, но и овощи с большим содержанием жидкости (например, помидоры и лук).

- Для приготовления на гриле разложите куски продуктов на решетке или на противне с решеткой так, чтобы площадь, занимаемая продуктами, соответствовала размерам нагревательного элемента.
- Вставьте решетку или противень с решеткой в духовку на нужный уровень. Если продукты готовятся на решетке, установите на нижний уровень поддон для сбора жира. Для облегчения очистки поддона налейте в него немного воды.

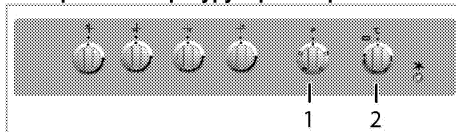


Продукты, которые не подходят для приготовления на гриле, могут привести к возгоранию. На гриле можно готовить только такие продукты, которые выдерживают интенсивный нагрев.

Не размещайте продукты слишком близко к задней части гриля. Эта зона нагревается сильнее всего, и жирные продукты могут загореться.

Правила эксплуатации электрической духовки

Выберите температуру и режим работы



- 1 Ручка выбора функции
- 2 Ручка термостата

1. Установите нужный режим работы с помощью ручки выбора функций.
2. Установите нужную температуру с помощью регулятора температуры.

» После нагрева духовки в ней будет поддерживаться заданная температура. Во время нагрева будет светиться индикатор температуры.

Выключение электрической духовки

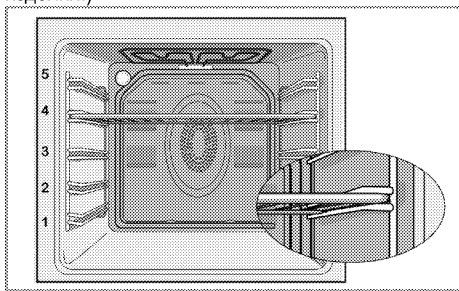
Поверните ручку выбора функций и регулятор температуры в положение отключения (вверх).

Уровни духовки (для моделей с грилем)

Правильно устанавливайте решетку в направляющие. Решетку следует вставить между направляющими, как показано на рисунке.

Следите за тем, чтобы решетка не упиралась в заднюю стенку духовки. Чтобы гриль нормально работал, выдвиньте решетку к передней части направляющих и отрегулируйте ее положение с помощью дверцы.

(Может отличаться в зависимости от модели изделия.)



Режимы работы

Приведенная здесь последовательность режимов работы может отличаться от вашей модели.

Нагрев сверху и снизу



Работают оба нагревательных элемента — и верхний, и нижний. Продукты подгреваются одновременно сверху и снизу. Этот режим подходит, например, для тортов, разной выпечки, а также кексов и запеканок в формах.. Готовьте только с одним противнем.

Нагрев снизу



Работает только нижний нагревательный элемент. Подходит для выпечки пиццы и дополнительного обжаривания продуктов с нижней стороны. Эта функция также упрощает очистку паром.



Гриль



Работает малый гриль на потолке духовки. Может использоваться для приготовления блюд на гриле.

- Для приготовления блюд в этом режиме расположите под нагревателем гриля на соответствующем уровне духовки небольшое или среднее количество продукта.
- Установите температуру на максимальный уровень.
- Когда пройдет половина времени, отведенного на приготовление, переверните продукт.

Full grill (Усил. гриль)



Работает большой гриль на потолке духовки. Подходит для приготовления на гриле больших порций мяса.

- Для приготовления на гриле положите большие или средние порции под нагревательный элемент гриля на соответствующий уровень полки духового шкафа.
- Установите температуру на максимальный уровень.
- Когда пройдет половина времени, отведенного на приготовление, переверните продукт.

Время приготовления блюд



Значения времени в этой таблице следует считать справочными. Они могут изменяться в зависимости от температуры продуктов, толщины, вида и ваших кулинарных предпочтений.

Выпечка и жарение



1-й полкой духового шкафа является нижняя полка.

Блюдо	Количество противней		Уровень размещения	Температура (°C)	Примерное время приготовления (мин.)
**Выпечка на противне	Один противень		3	175	30 ... 45
**Выпечка в форме	Один противень		3	175	30 ... 50
**Выпечка в кулинарной бумаге	Один противень		3	160 ... 170	20 ... 30
**Бисквит	Один противень		3	180 ... 200	10 ... 20
**Печенье	Один противень		3	160 ... 170	20 ... 30
**Изделия из теста	Один противень		3	200	20 ... 30
**Сдобная выпечка	Один противень		3	190	25 ... 35
**Закваска	Один противень		3	190	20 ... 40
**Лазанья	Один противень		2	180	25 ... 45
**Пицца	Один противень		2	200	15 ... 25
Бифштекс (куском)/жаркое	Один противень		2	25 мин. 220, затем 180 ... 190	80 ... 120
Баранья нога (запеканка)	Один противень		2	25 мин. 220, затем 180 ... 190	70 ... 100
Жареная курица	Один противень		2	15 мин. 220, затем 190	55 ... 75
Индейка (кусками)	Один противень		2	25 мин. 220, затем 190	70 ... 120
Рыба	Один противень		3	200	20 ... 30

(**) Для процессов приготовления, требующих предварительного нагрева, предварительно разогрейте печь в начале процесса до достижения заданной температуры.

Советы по выпечке

- Если изделие получается слишком сухим, следует повысить температуру примерно на 10°C и сократить время приготовления.
- Если изделие получается сырым, следует уменьшить количество жидкости или понизить температуру на 10°C.
- Если верхняя корочка слишком зарумянивается, следует поставить изделие ниже, понизить температуру и увеличить время приготовления.
- Если изделие хорошо пропекается, но снаружи пригорает, следует уменьшить количество жидкости, понизить температуру и увеличить время приготовления.
- Следите за тем, чтобы толщина изделия не превышала глубины противня, иначе оно будет долго выпекаться.
- Если верхний слой изделия подгорает, а нижний остается сырым, возможно, в нижнем слое изделия слишком много начинки. Чтобы изделие ровно подрумянивалась, старайтесь равномерно распределять начинку между слоями теста и по поверхности изделия.



При выпечке изделий из теста соблюдайте режим и температуру, указанные в таблице рецептов. Если нижний слой изделия плохо пропекается, в следующий раз поставьте противень на один уровень ниже.

Советы по выпечке

- Если изделие получается слишком сухим, следует повысить температуру примерно на 10°C и сократить время приготовления. Смажьте слои теста смесью из молока, растительного масла, яиц и йогурта.

Советы по приготовлению овощных блюд

- Если овощи выпускают сок и становятся слишком сухими, готовьте их не на противне,

а в сковороде под крышкой. В закрытой посуде сок сохранится.

- Если овощное блюдо остается сыроватым, прежде чем готовить овощи в духовом шкафу, можно их проварить или протушить.

Как пользоваться грилем



ПРЕДУПРЕЖДЕНИЕ!

Закрывайте дверцу во время приготовления пищи на гриле.

Горячие поверхности могут причинить ожоги!

Включение гриля

1. Поверните ручку выбора функций и установите на нужный значок режима «Гриль».
2. Затем установите нужную температуру жаренья.

Время приготовления блюд на гриле

Приготовление блюд на электрическом гриле

Продукты	Уровень размещения	Рекомендуемая температура (°C)**	Время приготовления на гриле (прибл.)
Рыба	4...5	250/max	20...25 мин. #
Курица (куски)	4...5	250/max	25...35 мин.
Отбивные из молодой баранины	4...5	250/max	20...25 мин.
Ростбиф	4...5	250/max	25...30 мин. #
Отбивные из телятины	4...5	250/max	25...30 мин. #
Гренки *	4	250/max	1...3 мин.

в зависимости от толщины

*Разогрейте в течение 5 минут.

**Если настройка температуры гриля в вашем изделии не предусмотрена, то гриль будет работать при максимальной температуре.

3. При необходимости прогрейте гриль около 5 минут.

» При этом включится индикаторная лампочка температуры.

Выключение гриля

1. Поверните ручку выбора функций в положение отключения (вверх).



Продукты, которые не подходят для приготовления на гриле, могут привести к возгоранию. На гриле можно готовить только такие продукты, которые выдерживают интенсивный нагрев.

Не размещайте продукты слишком близко к задней части гриля. Эта зона нагревается сильнее всего, и жирные продукты могут загореться.

7 Уход и техническое обслуживание

Общие сведения

Регулярно выполняйте чистку прибора. Это позволит продлить срок его службы, а также избежать многих проблем.



ОПАСНО:

Перед выполнением работ по обслуживанию и чистке отключите прибор от электрической сети. Существует риск поражения электрическим током!



ОПАСНО:

Дайте изделию остыть, прежде чем приступать к чистке. Горячие поверхности могут причинить ожоги!

- Прибор следует тщательно чистить после каждого использования. Так легче удалять остатки пищи, которые могут пригореть при следующем использовании прибора.
- Для чистки прибора не требуются специальные чистящие средства. Прибор можно вымыть теплой водой с добавлением жидким моющего средства, используя мягкую ткань или губку. А затем протереть сухой тканью.
- Обязательно протирайте прибор насухо после чистки и сразу же удаляйте попавшую на него жидкость.
- Не используйте для чистки ручки и поверхностей из нержавеющей стали чистящие средства, содержащими кислоту или хлор. Эти детали можно протирать мягкой тканью, смоченной в жидком моющем средстве (без абразивных добавок), стараясь тереть в одном направлении.



Некоторые моющие средства и чистящие материалы могут повредить поверхность. Не используйте для чистки агрессивные моющие средства, чистящие порошки/кремы, а также острые предметы.



Не используйте для чистки устройства пароочистители, поскольку это может привести к поражению электрическим током.

Чистка варочной панели

Газовые варочные панели

1. Снимите и вымойте конфорки и накладки горелок.
2. Вымойте варочную панель.
3. Аккуратно установите накладки горелок на свои места.
4. При установке верхних решеток следите за тем, чтобы горелки находились точно по центру конфорок.

Чистка панели управления

Очистьте панель управления и ручки-регуляторы влажной тканью и вытрите насухо.



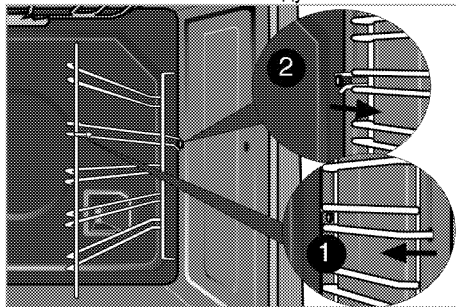
Если ваш прибор оснащен кнопками/ручками, не снимайте ручки-регуляторы для чистки панели управления. Так можно повредить панель управления!

Чистка духовки

Чистка боковых стенок (Может отличаться в зависимости от модели изделия.)

(Данная функция — дополнительная. Она может отсутствовать в вашем изделии.)

1. Снимите переднюю часть боковой решетки, оттянув ее от боковой стенки.
2. Потяните боковую решетку к себе и полностью выньте ее из духовки.

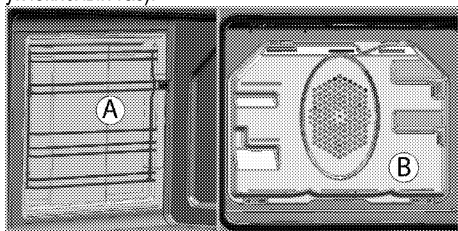


Стенки с каталитическим покрытием

(Данная функция — дополнительная. Она может отсутствовать в вашем изделии.)

Внутренние боковые стенки (А) и (или) задняя стенка (В) вашего изделия могут быть покрыты каталитической эмалью. Стенки с каталитическим покрытием имеют светлую матовую пористую поверхность. Стенки духовки, имеющие каталитическое покрытие, не следует чистить.

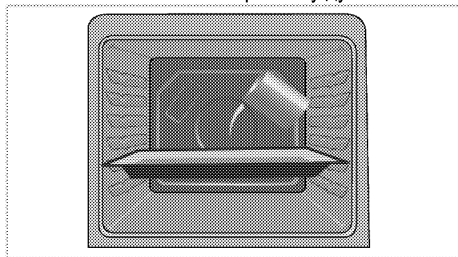
Пористые поверхности стенок с каталитическим покрытием самоочищаются путем впитывания и разложения пролитого жира (на воду и углекислый газ).



Простая очистка паром

Это упрощает чистку, поскольку грязь (после кратковременного ожидания) смягчается паром, образующимся в духовом шкафу, и каплями воды, конденсирующимися на внутренних поверхностях духового шкафа.

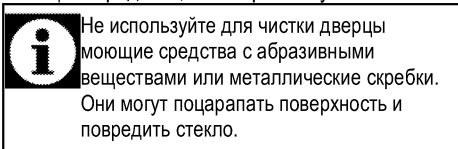
1. Выньте из духового шкафа все принадлежности.
2. Налейте в противень 500 мл воды и поместите его на 2-ю решетку духовки.



3. Установите духовку до легкого режима очистки паром и работайте на 100 ° C в течение 25 минут.
4. Откройте дверцу и протрите внутренние поверхности духового шкафа влажной губкой или тканью.
5. Стойкую грязь следует удалять теплой водой с жидким моющим средством, используя мягкую ткань или губку, а после чистки следует вытирать прибор сухой тканью.

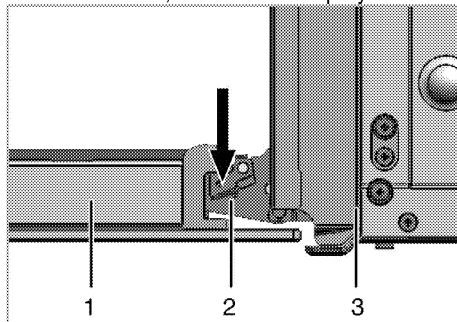
Чистка дверцы духовки

Мойте дверцу духовки мягкой тканью или губкой, смоченной в теплой воде с добавлением жидкого моющего средства, и вытирайте сухой тканью.

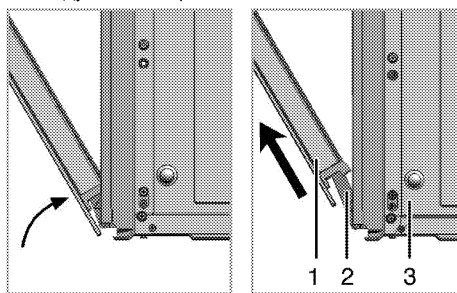


Снятие дверцы духового шкафа

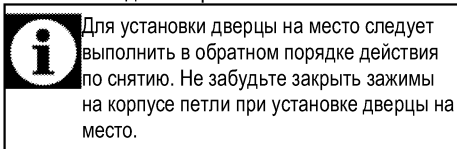
1. Откройте переднюю дверцу (1).
2. Откройте зажимы на корпусе петли (2) с правой и левой стороны передней дверцы, нажав на них, как показано на рисунке.



- 1 Передняя дверца
- 2 Петля
- 3 Духовой шкаф



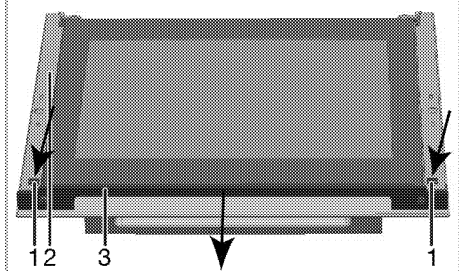
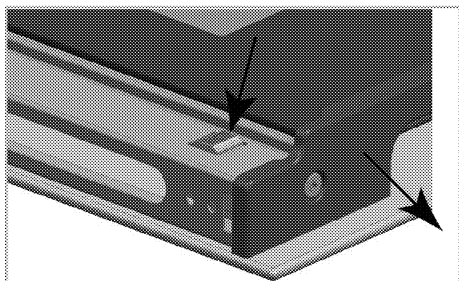
3. Откройте переднюю дверцу наполовину.
4. Снимите переднюю дверцу, потянув ее вверх и освободив от правой и левой петли.



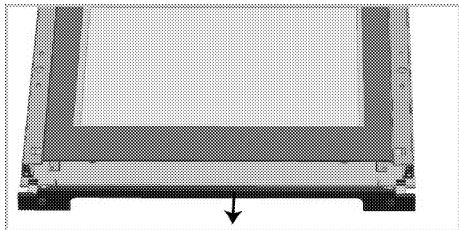
Снятие внутреннего стекла дверцы (Данная функция — дополнительная. Она может отсутствовать в вашем изделии.)

Внутреннее стекло панели дверцы духового шкафа можно снять для чистки.

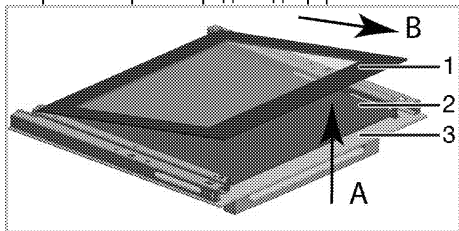
Откройте дверцу духовки.



- 1 Защелка
- 2 Рамка
- 3 Профиль



Как показано на рисунках выше, нажмите на защелки (1) и одновременно потяните профиль (3) к себе, чтобы вытащить профиль, прикрепленный к верхней стороне передней дверцы.

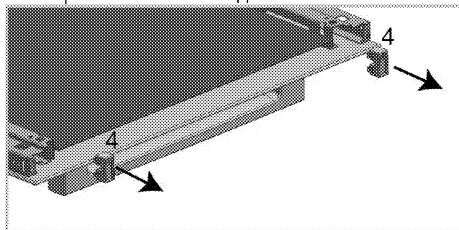


- 1 Панель внутреннего стекла
- 2 Панель среднего стекла*
- 3 Панель внешнего стекла

* (Она может отсутствовать в вашем изделии.)

Как показано на рисунке, немного поднимите панель внутреннего стекла (1) в направлении **A** и сдвиньте ее в направлении **B**.

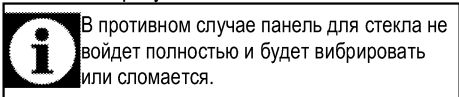
Если устройство оснащено панелью для внутреннего стекла; Потяните соединительные элементы держателя стекла в центре, как показано на рисунке, чтобы вытащить их из панелей для стекла.



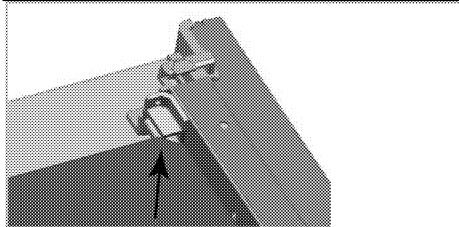
- 4 Соединительный элемент держателя стекла*
- * (Она может отсутствовать в вашем изделии.)

Чтобы вынуть среднее стекло (2), повторите эти же действия. При сборке дверцы сначала следует вставить среднее стекло (2).

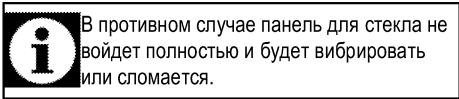
Вставьте панель для стекла таким образом, чтобы она вошла в пластмассовый паз, как показано на рисунке.



В противном случае панель для стекла не войдет полностью и будет вибрировать или сломается.



Внутреннее стекло (1) следует устанавливать таким образом, чтобы надпись на стекле была обращена к панели внутреннего стекла. Важно, чтобы нижние углы панели внутреннего стекла были вставлены в пластиковые пазы.



В противном случае панель для стекла не войдет полностью и будет вибрировать или сломается.

Пожалуйста, не забудьте поместить соединительные элементы держателя стекла в соответствующие пазы.

И, наконец, нажмите на защелки профиля, чтобы они снова вошли в пазы.

Замена лампочки освещения духового шкафа



ОПАСНО:

Во избежание поражения электрическим током, прежде чем заменять лампочку, убедитесь в том, что электроприбор отсоединен от сети и остыл.

Горячие поверхности могут причинить ожоги!



Для освещения духового шкафа используется специальная электрическая лампочка, которая может выдерживать температуру до 300 °С. Дополнительные сведения см. в разделе "*Технические характеристики*", стр. 15". Лампочки освещения духового шкафа можно приобрести в фирменных сервисных центрах.



Расположение лампочки может отличаться от изображения на рисунке.



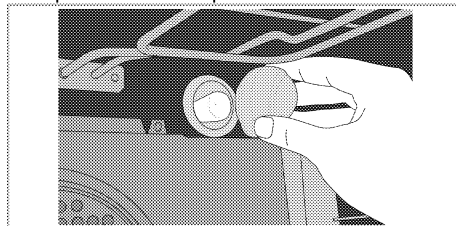
Лампа, используемая в этом приборе, не подходит для освещения бытовых помещений. Эта лампа предназначена для вспомогательной цели, позволяющей пользователю увидеть пищевые продукты.



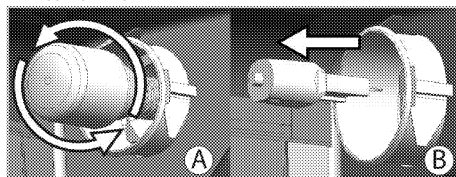
Лампы, используемые в этом приборе, должны выдерживать экстремальные физические условия, например температуру выше 50 °С.

Замена круглой лампочки освещения духового шкафа

1. Отсоедините духовой шкаф от электросети.
2. Снимите стеклянный плафон, повернув его против часовой стрелки.



3. Если в вашей духовке используется лампа типа (А), показанная на рисунке ниже, поверните ее в соответствии с рисунком, чтобы извлечь ее и заменить. Если используется лампа типа (В), потяните и извлеките ее, как показано на рисунке, и замените.



4. Установите на место стеклянный плафон.

8 Поиск и устранение неисправностей

Во время работы из духового шкафа выделяется пар.

- Вполне нормально, если пар выделяется во время работы. >>> *Это не является неисправностью.*

При нагревании и охлаждении прибор издает металлические шумы.

- При нагревании металлические детали могут расширяться и издавать звуки. >>> *Это не является неисправностью.*

Прибор не работает.

- Плавкий предохранитель неисправен или сработал. >>> *Проверьте плавкие предохранители в блоке предохранителей. При необходимости замените их или включите.*
- Духовой шкаф не включен в (заземленную) розетку электросети. >>> *Проверьте соединение штепсельной вилки.*

Освещение духовки не работает.

- Лампочка освещения духового шкафа неисправна. >>> *Замените лампочку освещения шкафа.*
- Нет электропитания. >>> *Проверьте наличие электропитания. Проверьте предохранители в блоке предохранителей. При необходимости замените или включите предохранители.*

Духовка не нагревается.

- Не задана функция или температура. >>> *Выберите функцию и установите температуру с помощью переключателя функций и (или) регулятора температуры.*
- Нет электропитания. >>> *Проверьте наличие электропитания. Проверьте предохранители в блоке предохранителей. При необходимости замените или включите предохранители.*

При розжиге не вспыхивает искра.

- Нет тока. >>> *Проверьте предохранители в блоке предохранителей.*

Газ не поступает.

- Перекрыт общий газовый кран. >>> *Откройте газовый кран.*
- Перегиб газового шланга. >>> *Правильно расположите газовый шланг.*

Горелки плохо горят или вообще не горят.

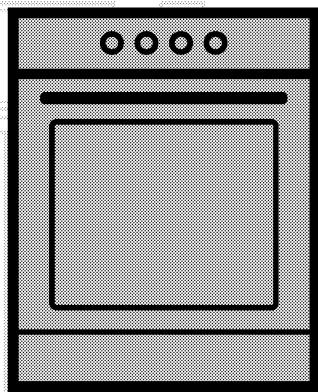
- Горелки засорены. >>> *Очистите компоненты горелки.*
- Горелки влажные. >>> *Просушите компоненты горелки.*
- Накладка горелки плохо установлена. >>> *Правильно установите накладку горелки.*
- Перекрыт газовый кран. >>> *Откройте газовый кран.*
- Газовый баллон пуст (при использовании сжиженного газа). >>> *Замените газовый баллон.*



Если вы не можете устранить неполадки, несмотря на выполнение инструкций, приведенных в данном разделе, обратитесь к представителю авторизованной сервисной службы. Не пытайтесь самостоятельно отремонтировать неисправный электроприбор.

Пеш

Пайдаланушы нұсқаулығы



KK

beko

Алдымен пайдаланушы нұсқаулығын оқыңыз!

Құрметті тұтынушы,

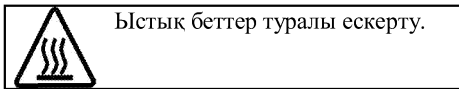
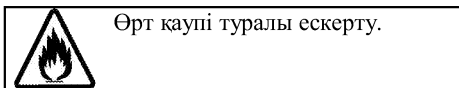
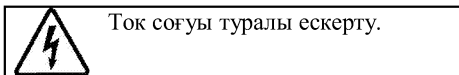
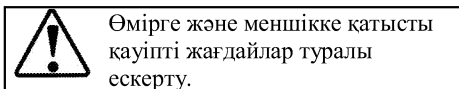
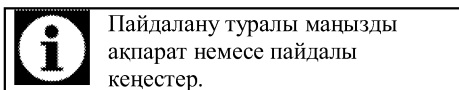
Бекө өнімін таңдағаныңызға рақмет. Жоғары сапамен және заманауи технологиямен өндірілген өнімнен ең жақсы нәтижелерді аласыз деп үміттенеміз. Сондықтан, өнімді пайдаланбай тұрып осы пайдаланушы нұсқаулығын және басқа құжаттарды толығымен оқып шығыңыз және болашақта пайдаланатын анықтама ретінде сақтаңыз. Егер өнімді басқа біреуге тапсырсаңыз, пайдаланушы нұсқаулығын да беріңіз. Пайдаланушы нұсқауларындағы бүкіл ескертулер мен ақпараттағы нұсқауларды орындаңыз.

Бұл пайдаланушы нұсқаулығы бірнеше басқа үлгіге де қатысты екенін есте сақтаңыз.

Нұсқаулықта үлгілер арасындағы айырмашылықтар көрсетіледі.

Белгілердің түсіндірмесі

Осы пайдаланушы нұсқаулығында келесі белгілер пайдаланылады:



1 Қауіпсіздік және қоршаған орта туралы маңызды нұсқаулар және ескертулер 4

Қауіпсіздік техникасының жалпы ережелері⁴
 Газ құралдарымен жұмыс істеу барысындағы қауіпсіздік техникасы.....5
 Электр қауіпсіздігі.....6
 Өнім қауіпсіздігі8
 Дұрыс пайдалану10
 Балар қауіпсіздігі11
 Ескі өнімді тастау11
 Орама материалдарын тастау11

2 Құрылғыңыз 12

Жалпы шолу 12
 Буманың құрамы..... 13
 Техникалық сипаттамалары..... 14
 Бүріккіш сипаттамалары 15

3 Орнату 16

Орнатудан бұрын..... 16
 Орнату және қосу 18
 Басқа газ түріне ауысу21
 Келешекте тасымалдау22

4 Дайындық 23

Қуатты үнемдеу бойынша кеңестер23
 Алғашқы қолдану23
 Құрылғыны алғаш рет тазалау23
 Бастапқы қыздыру23

5 Кемпіректі қолдану жолы 24

Пісіру туралы жалпы мәліметтер..... 24
 Кемпіректерді қолдану..... 24

6 Пешті іске қосу жолы 26

Пісіру, қуыру және грильде дайындауға қатысты жалпы мәліметтер..... 26
 Электр пешін іске қосу жолы..... 26
 Жұмыс режимдері..... 27
 Тағамдарды пісіру уақытының кестесі..... 28
 Грильді іске қосу жолы 29
 Грильденетін тағамдарды пісіру уақытының кестесі..... 29

7 Күту мен техникалық қызмет көрсету 30

Жалпы мәліметтер 30
 Пісіру тақтасын тазалау 30
 Басқару тақтасын тазарту 30
 Пешті тазалау..... 30
 Пеш есігін алу..... 31
 Есіктің ішкі әйнегін шығарып алу 32
 Пеш шамын ауыстыру..... 33

8 Ақаулықтарды іздеу және жою34

1 Қауіпсіздік және қоршаған орта туралы маңызды нұсқаулар және ескертулер

Бұл бөлім жеке жарақаттан немесе меншіктің зақымдалуынан қорғауға көмектесетін қауіпсіздік туралы нұсқауларды қамтиды.

Бұл нұсқауларды орындамау бүкіл кепілдікті жояды.

Қауіпсіздік техникасының жалпы ережелері

- Бұл жабдықты 8 жастан жоғары балалар және дене, сезу немесе ақыл-ай мүмкіндіктері нашар адамдар жабдықты қауіпсіз пайдалану туралы бақылау немесе нұсқау берілсе және байланысты қауіптерді түсінсе пайдалана алады. Балалар жабдықпен ойнамауы керек. Тазалауды және техникалық қызмет көрсетуді балалар бақылаусыз орындамауы керек.
- Бұл құрылғыны физикалық, сезу және ойлау қабілеттері шектеулі (балаларды қоса), не болмаса тәжірибесі не білімі жоқ адамдар қадағалаумен және құрылғыны пайдалануға байланысты нұсқауларды

бермейінше қолданбауы тиіс.

Қадағалаудағы балалар құрылғымен ойнамауы керек.

- Егер әлдекім өнімді пайдаланса немесе біреуден сатып алса, пайдаланушы нұсқаулығы, өнім жапсырмалары және басқа тиісті құжаттамалар мен бөлшектер онымен бірге берілуі тиіс.
- Өнімді ешқашан кілем төселген еденге қоймаңыз. Әйтпесе, өнім астында ауаның болмауы электр бөліктердің шамадан тыс қызып кетуін тудырады. Бұл өнімде мәселелер тудырады.
- Орнату және жөндеу жұмыстарын Уәкілетті қызмет көрсету орталығының мамандары ғана орындауы қажет. Уәкілеті жоқ кісілермен орындалған іс рәсімдер нәтижесінде орын алуы мүмкін ақаулықтар үшін өндіруші жауапты емес. Орнату алыднда

нұсқауларды мұқият оқып шығыңыз.

- Құрылғы бүлінген болса және көзге көрінетін ақаулықтар болса, құрылғыны іске қоспаңыз.
- Әр пайдаланудан кейін өнімнің функция тұтқыштарының өшірілуін бақылаңыз.

Газ құралдарымен жұмыс істеу барысындағы қауіпсіздік техникасы

- Газ құралдарымен және жүйелерімен орындалатын кез-келген жұмыстарды Газбен қауіпсіз жұмыс істеуге уәкілетті және білікті кісілер ғана орындаулары қажет.
- Орнатудан бұрын, жергілікті тарату жүйесінің параметрлері (газ түрі мен қысымы) құрылғының баптауларына сәйкес келетіндігін тексеріңіз.
- Бұл құрылғы жану өнімін жоятын құралға жалғанбаған. Құрылғыны орнату және жалғау жұмыстары күші бар нормалар мен қағидаларға сәйкес орындалуы қажет. Ерекше назар желдеткіш жүйесінің талаптарына бөлінуі қажет; *Орнатудан*

бұрын, Бет 16 бөлімін қараңыз.

- ЕСКЕРТУ: Газ плитасын қолдану кезінде, ол орнатылған бөлмеде ыстық пен ылғал бөледі. Ас бөлме дұрыс желдетілуі қажет: табиғи желдеткіш саңылауларды ашық ұстаңыз немесе механикалық желдеткіш құралын орнатыңыз (механикалық газ плитасы үстіне орнатылатын сығынды құралы). Құрылғыны ұзақ қарқынды қолданғанда, қосымша желдеткіш қажет болуы мүмкін, мысалы механикалық сығынды құралы бар болса, қуат мөлшерін көтеру қажет.
- Газ құралдары мен жүйелері жұмыстарының дұрыстығын әрдайым тексеріп тұру қажет. Реттегішті, шлангты және оның қысқышын тұрақты түрде тексеру және өндіруші ұсынған немесе қажет болған кезеңдер ішінде ауыстыру керек.
- Газ жанарғыларын әрдайым тазалап тұрыңыз. Жалын көк болуы және тегіс жануы қажет.

- Бұл өнім дұрыс реттелген және істейтін көміртек тотығы датчигі орнатылған бөлмеде пайдаланылуы керек. Көміртек тотығы датчигі дұрыс істейтінін және жиі техникалық қызмет көрсетілетінін тексеріңіз. Көміртек тотығы датчигі өнімнен ең көбі 2 метр қашықтыққа орнатылуы керек.
- Газ құрылғыларында газ толығымен жануы қажет. Газ толығымен жанбаған жағдайда, тұншықтырғыш газ (CO) бөлінеді. Көміртегі тотығы - өте улы түссіз және иіссіз газ, ол тіптен өте аз мөлшерде де улану мен өлімге алып келеді.
- Газ жабдықтаушысынан жергілікті апаттық жағдайда қызмет көрсету орталығының телефон нөмірі мен газ иісі шыққан жағдайда қолдану қажет сақтық шаралары жайлы мәліметтерді сұраңыз.

Газ иісі шыққанда не істеу қажет

- Ашық жалынды пайдаланбаңыз немесе темекі шекпеңіз. Ешқандай электрикалық түймешіктер арқылы іске қоспаңыз (мыс,

шам түймешігі, есік қоңырау және т.б.). Орнатылған немесе ұялы телефондарды пайдаланбаңыз. Жарылу және улану қаупі!

- Есіктер мен терезелерді ашыңыз.
- Газ құрылғысындағы барлық шүмектер мен басты басқару шүмегіндегі газ санаушын жабыңыз, егер ол жабық аймақта немесе төледе болмаса.
- Барлық құбырлар мен жалғаулардың бітеулілігін тексеріңіз. Егер газдың иісін әліде сезіп тұрсаңыз, бөлмеден шығыңыз.
- Көршілерді ескертіңіз.
- Өрт сөндірушілер тобын шақырыңыз. Үйдің сыртындағы телефонды қолданыңыз.
- Ғимарат ішіне қауіпсіз екендігін хабарламайынша кірмеңіз.

Электр қауіпсіздігі

- Егер өнімде ақаулық бар болса, рұқсат етілген сервис агенті жөндегенше оны пайдаланбау керек. Электр тогы соғуының қаупі бар!
- Өнімді тек «Техникалық сипаттамалар» бөлімінде

көрсетілгендей кернеуі мен қорғанысы бар жерге қосылған розеткаға/желіге қосыңыз. Құрылғыны трансформатормен немесе трансформаторсыз пайдаланып жатқан кезде, жерге қосу орнатылымын білікті электр маманы орындауы қажет.

Жергілікті ережелерге сәйкес құрылғыны жерге тұйықтаусыз пайдалану нәтижесінде орын алған кез келген ақаулықтар үшін біздің компания жауапты емес.

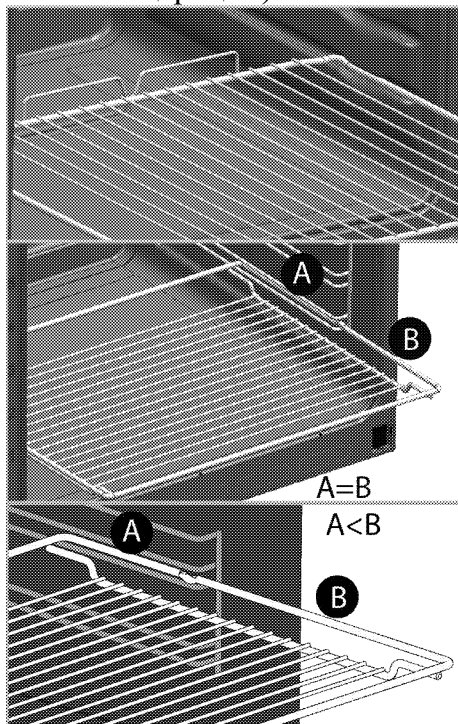
- Ешқашан өнімді үстіне су себу немесе құю арқылы жумаңыз! Электр тогы соғуының қаупі бар!
- ешқашан ашаға ылғалды қолдармен тимеңіз! Ешқашан кабельдер тарту арқылы ажыратпаңыз, әрқашан ашаны ұстап ажыратыңыз.
- Орнату, тазалау және жөндеу процедуралары кезінде өнімді желіден ажырату керек.
- Егер өнімнің қуат қосылымы кабелі зақымдалса, қауіпті болдырмау үшін оны өндіруші, оның сервис

агенті немесе сол сияқты білікті адамдар ауыстыруы керек.

- Жабдықты желіден толығымен ажыратуға болатындай орнату керек. Бөлуді құрылыс ережелері сәйкес желілік розетка немесе бекітілген электр қондырғысына бекітілген қосқыш қамтамасыз етуі керек.
- Құрылғы қосулы кезде, артқы қабаты қатты кызады. Газ түтікшелері мен электр сымдары құрылғының артқы қабатына тимейтіндігін тексеріңіз, себебі бұл олардың бүлінуіне алып келеді.
- Қуат сымы пештің есігі мен жақтауы арасында қысылып қалмағанын тексеріңіз және оны ыстық қабаттардың үстімен жүргізбеңіз. Әйтпесе, сымның оқшаулауы еріп, қысқа тұйықталуға және өртке алып келеді.
- Электр құралдарымен және жүйелерімен орындалатын кез-келген жұмыстарды уәкілетті және білікті кісілер ғана орындауы қажет.

- Ақаулық болған жағдайда құрылғыны өшіріп, оны электр жүйесінен ажыратыңыз. Бұл үшін үйдегі сақтандырғышты өшіріңіз.
 - Сақтандырғыш көрсеткіші өніммен үйлесімді екенін тексеріңіз.
- Өнім қауіпсіздігі
- **АБАЙЛАҢЫЗ:** Пайдалану кезінде жабдық пен қолмен жетуге болатын бөліктері қызады. Қыздыру элементтеріне тимеуді қадағалау керек. 8 жастан төмен балаларды қадағалау болмаса, ары ұстау керек.
 - Серпіліс пен қимыл жылдамдығына әсер ететін ішімдік пен дәрі-дәрмектің әсерінде болғанда құрылғыны пайдаланбаңыз.
 - Тағамдарды дайындауда алкогольді ішімдіктерді қосқанда абай болыңыз. Жоғары температурада алкоголь буланып, ыстық беттерге тигенде жануы және өртке алып келуі мүмкін.
 - Құрылғы жанына жанғыш заттарды қоймаңыз, себебі, қосулы кезінде бүйірлік беттері қатты қызады.
 - Пайдалану кезінде құрылғы қызып кетуі мүмкін. Пеш ішіндегі қыздыру элементтеріне тимеуді қадағалау керек.
 - Барлық желдеткіш тесіктерінің ашық болғанын қадағалаңыз.
 - Пеште қаңылтыр және шыны құтыларда жабылған тағамдарды ысытпаңыз. Құты ішінде қысым жоғарылап, құтының жарылуына алып келеді.
 - Жайпақ қаңылтыр табаны, ыдысты және алюминийлі қытырлақ қағазын тікелей пештің төменгі жағына қоймаңыз. Тым қатты ыстық пештің төменгі жағын бүлдіруі мүмкін.
 - Қатты абразивті тазартқыштарды немесе үшкір металл қырғыштарды пайдаланып, пеш есігінің шынысын тазаламаңыз, өйткені олар бетті сырып, бұл шынының сынуына әкелуі мүмкін.
 - Жабдықты тазалау үшін бу тазалағыштарын пайдаланбаңыз, өйткені ток соғуы мүмкін.
 - (Құрылғы үлгісіне байланысты өзгереді.)

Сым тор сөресі мен жайпақ қаңылтыр табаны сым бағыттауыштарына дұрыстап қою Сым тор сөресін және/немесе табаны бағыттауышқа дұрыстап қою өте маңызды. Сым тор сөресін екі сырғытпалы жолға салып, тағамды салғанда екі жағыда тең екендігін тексеріңіз (Келесі санға қараңыз).



- Алдыңғы есігінің шынысы алынған не шытынаған болса, құрылғыны пайдаланбаңыз.

- Пеш тұтқасы сүлгі құрғатқыш емес. Гриль функциясы ашық есікте болғанда, сүлгіні, қолғапты немесе ұқсас тоқыма өнімдерді ілмеңіз.
- Тағамды пешке салар немесе пештен шығарар кезінде әрқашан ыстыққа төзімді қолғаптарды пайдаланыңыз.
- Пісіру қағазын әзірлеу құмырасына немесе духовка аксессуарына (науа, сымды гриль, т.б.) тамақпен бірге қойыңыз, содан кейін барлығын алдын ала қыздырылған духовкаға салыңыз. Духовканың қыздыру элементтеріне тию қаупін болдырмау үшін аксессуардан немесе құмырадан шығып тұрған пісіру қағазының артық бөліктерін алыңыз. Пісіру қағазы үшін пісіру қағазын көрсетілген мәннен жоғарырақ жұмыс температурасында ешқашан пайдаланбаңыз. Пісіру қағазын тікелей духовка түбіне қоймаңыз.
- **АБАЙЛАҢЫЗ:** Шамды ауыстырар алдында, электр тогының соғуына жол бермеу үшін, құрылғының

қуат сымынан ажыратылғанын немесе ажыратқыштың өшірілгенін тексеріңіз.

- Құрылғының қызып кетуін болдырмау мақсатында оны сәндік есік артына орнатпау қажет.
- Құрылғыны тікелей еденнің үстіне орнату қажет. Оны негіздің немесе тіректің үстіне қондыруға болмайды.
- АБАЙЛАҢЫЗ: Май бар кемпірікте қадағалаусыз пісіру қауіпті болуы мүмкін және өртке әкелуі мүмкін. ЕШҚАШАН отты сумен өшіруге тырыспаңыз, құрылғыны өшіріңіз, содан кейін жалынды қақпақ немесе өртке төзімді жапқыш сияқты бірдеңемен жабыңыз.
- ЕСКЕРТУ: Әзірлеу процесі қадағалануы керек. Қысқа мерзімді әзірлеу процесі үздіксіз қадағалануы керек.
- АБАЙЛАҢЫЗ: Өрт қаупі бар: пісіру беттерінде заттарды сақтамаңыз.

Өнімде өрт болмауы үшін:

- Ашаның розеткаға ұшқын тумайтындай қосылғанын тексеріңіз.
- Зақымдалған немесе кесілген кабельді, түпнұсқа

кабельден басқа ұзартқыш кабельді пайдаланбаңыз.

- Розеткадағы сұйықтық немесе ылғал өнімге тигеуін тексеріңіз.
- Газ қосылымы орнатылғанын, әрі газ шығып кетпейтінін тексеріңіз.

Дұрыс пайдалану

- Бұл құрылғы тек тұрмыстық қажеттілік үшін өндірілген. Сауда мақсатында қолданылса, кепілдігі жойылады.
- ЕСКЕРТУ: Бұл құрылғы тек тағамды пісіруге ғана арналған. Оны басқа мақсаттарда, мысалы бөлмені жылыту үшін пайдалануға болмайды.
- Құрылғыны гриль астына арналған табақты жылыту үшін, сүлгілерді, ыдыс-аяқ сүлгілерін пеш есігінің тұтқыштарына ілу арқылы кептіру үшін пайдалануға болмайды. Сонымен қатар, бұл құрылғыны бөлмені жылыту мақсатында қолдануға болмайды.
- Құрылғыны дұрыс пайдаланбау себебінен туындаған ақаулықтар үшін өндіруші жауапты емес.

- Пешті тағамдарды еріту, пісіру, қуыру және грильде дайындау үшін пайдалануға болады. .

Балар қауіпсіздігі

- **АБАЙЛАҢЫЗ:** Пайдалану кезінде жетуге болатын бөліктер ыстық болуы мүмкін. Кішкентай балдар алшақ жерде болуы керек.
- Орама материалдары балаларға зиянды болады. Балаларды орама материалдарынан алшақ ұстаңыз. Орама материалдардың барлық бөліктерін қоршаған орта стандарттарына сай тастаңыз.
- Электр және/немесе газ жабдықтары балалар үшін қауіпті болып табылады. Іске қосулы болғанда балардың осы өнімнен алшақ болуы қадағалап, олардың өніммен ойнауын болдырмаңыз.
- Жабдықтың үстіне балалардың қол жететін ешқандай зат қоймаңыз.
- Есік ашық кезде оған ешбір ауыр затты жүктемеңіз және оған балардың отыруына жол бермеңіз. Ол аударылып кетуі не

ілгектері зақымдануы мүмкін.

Ескі өнімді тастау

Қоқыс өнімдерді лақтыру туралы WEEE директивасының талаптарына сәйкестік:



Бұл өнім EO WEEE директивасының (2012/19/EU) талаптарына сәйкес келеді. Бұл өнімде коқыс электр және электрондық жабдық (WEEE) жіктеу таңбасы бар. Бұл өнім қайта пайдалануға болатын және қайта өңдеу үшін жарамды жоғары сапалы бөлшектермен және материалдармен жасалған. Қызмет көрсету мерзімі біткенде коқыс өнімді әдеттегі тұрмыстық және басқа коқыстармен бірге лақтырмаңыз. Оны электр және электрондық жабдықтарды қайта өңдеу үшін жинау орталығына апарыңыз. Бұл жинау орталықтары туралы білу үшін жергілікті билік органдарына хабарласыңыз.

RoHS директивасының талаптарына сәйкестік:

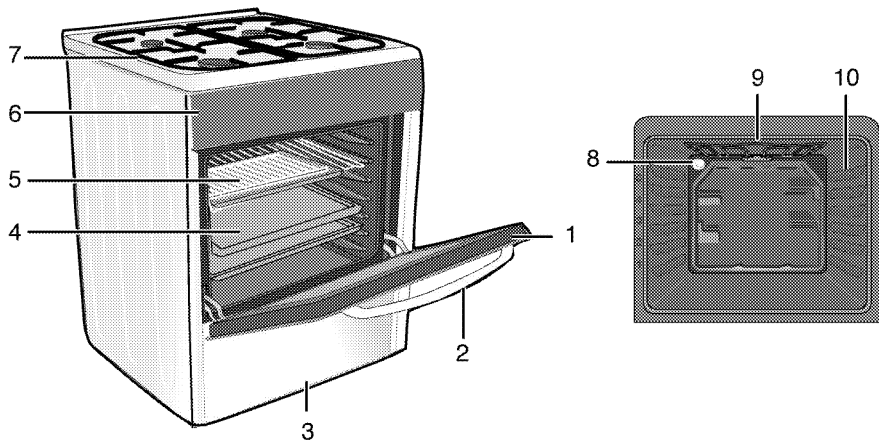
Сіз сатып алған өнім EO RoHS директивасының (2011/65/EU) талаптарына сәйкес келеді. Оның құрамында директивада көрсетілген зиянды және тыйым салынған материалдар жоқ.

Орама материалдарын тастау

- Орама материалдары балалар үшін қауіпті. Орама материалдарын балалардың қолы жетпейтін қауіпсіз жерге қойыңыз. Өнімнің орама материалдары қайта өңделетін материалдардан жасалған. Қайта өңделетін қалдық нұсқауларына сәйкес сұрыптаңыз және оларды дұрыс тастаңыз. Оларды қалыпты үй қалдықтарымен бірге тастамаңыз.

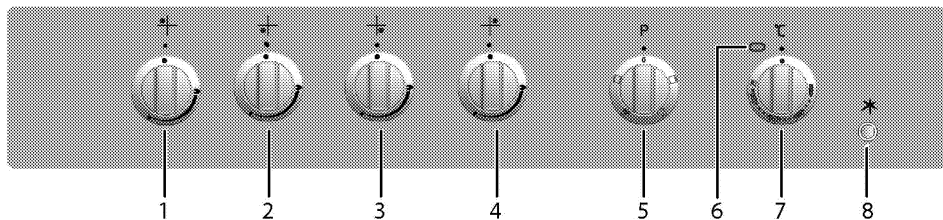
2 Құрылғыңыз

Жалпы шолу



- 1 Алдыңғы есік
- 2 Тұтқа
- 3 Астыңғы бөлігі
- 4 Таба
- 5 Сым тор сөресі

- 6 Басқару тақтасы
- 7 Жанарғы тақтасы
- 8 Шам
- 9 Грильдің қыздыру элементі
- 10 Сөренің позициялары



- 1 Қалыпты жанарғы Артқы сол жақ
- 2 Жылдам жанарғы Алдыңғы сол жақ
- 3 Қосымша жанарғы Алдыңғы оң жақ
- 4 Қалыпты жанарғы Артқы оң жақ

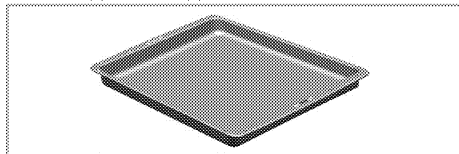
- 5 Функция тетігі
- 6 Термостат шамы
- 7 Термостат тетігі
- 8 Жағу түймешігі

Буманың құрамы

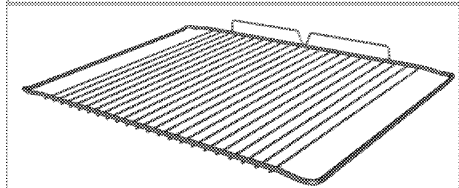
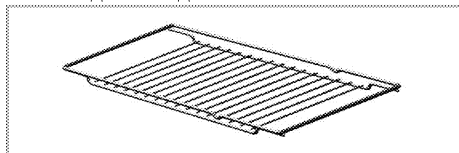


Жабдықтар құрылғының үлгісіне қарай түрлі болуы мүмкін. Пайдаланушы нұсқауында көрсетілген кейбір жабдық осы құрылғыда болмауы мүмкін.

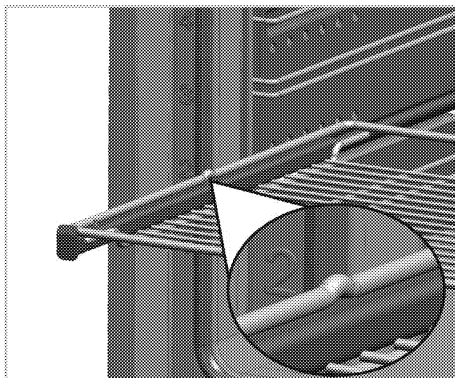
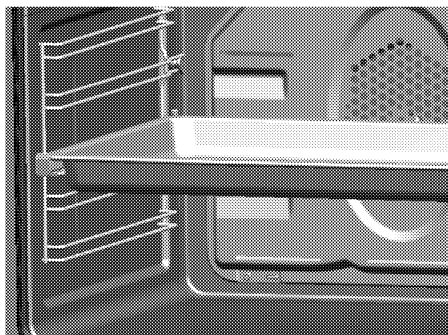
1. **Пайдаланушы нұсқаулығы**
2. **Жайпақ қаңылтыр таба**
Ұннан жасалған тағамдарды пісіруге, мұздатылған тағамдарды ерітуге және үлкен бөлікті тағамдарды қуыруға пайдаланылады.



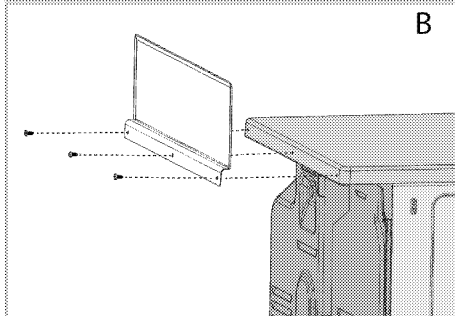
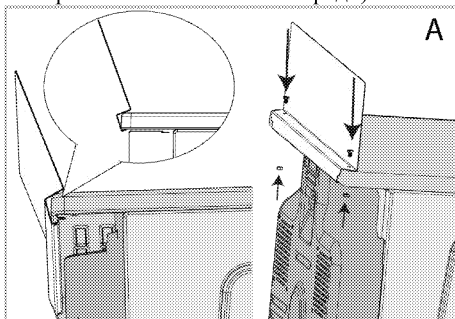
3. **Сым тор сөресі**
Қуыруға арналған және тағамдарды қалыпта пісіру, қуыру және әзірлеу кезінде қажетті сөреге қою үшін пайдаланылады.



4. **Сым тор сөресі мен жайпақ қаңылтыр табаны сырғытпалы бағыттауыштарға қою (Бұл мүмкіндік қосымша. Ол өнімде болмауы мүмкін.)**
Сырғытпалы бағыттауыштар табалар мен сым тор сөресін оңай орнатуға және шығаруға мүмкіндік береді. Табалар мен сым тор сөресін сырғытпалы бағыттауыштармен пайдаланғанда, таба мен сым тор сөренің шеттері сырғытпалы бағыттауыштардың артқы бөлігіне орналасқан қадауыштарға сүйеніп тұрғанын тексеріңіз.



5. **Қорғағыш тақта жинағы (Құрылғы үлгісіне байланысты өзгереді.)**



Өніміңіз А немесе В түріндегі жуыну шұңғылшасы астындағы кафель бетімен жабдықталуы мүмкін. Жуыну шұңғылшасы астындағы кафель бетін төмендегі суреттерде көрсетілгендей

үлгісіне сәйкес бекітіңіз. Өнімге немесе жуыну шұңғылшасы астындағы кафель бетіне зақым келтірмес үшін, бұрандаларын қатты тартпаңыз.

Техникалық сипаттамалары

ЖАЛПЫ	
Сыртқы көлемдері (биіктігі / ені / тереңдігі)	850 мм/500 мм/600 мм
Кернеу / жиілік	220-240 В ~ 50 Гц
Жалпы тұтынылатын қуат	1.9 кВт
Сактандырғыш	10 А
Сым түрі / қимасы	мин.Н05VV-FG 3 x 1 мм ²
Газ құрылғысының санаты	Cat II 2H3B/P
Газ түрі / қысымы	NG G 20/20 мбар
Жалпы тұтынылатын газ қуаты	7.9 кВт
Газ түрін / қысымын ауыстыру ⁸	LPG G 30/28-30мбар
– қосымша	NG G 20/10 мбар - NG G 20/13 мбар
ПІСІРУ ТАҚТАСЫ	
Жанарғылары	
Артық сол жақ	Қалыпты жанарғы
Қуаты	2 кВт
Алдыңғы сол жақ	Жылдам жанарғы
Қуаты	2.9 кВт
Алдыңғы оң жақ	Қосымша жанарғы
Қуаты	1 кВт
Артық оң жақ	Қалыпты жанарғы
Қуаты	2 кВт
ПЕШ/ГРИЛЬ	
Басты пеш	Қалыпты пеш
Ішкі шамы	15–25 Вт
Гриль қуат шығыны	1.6 кВт

[#] Жалпы мәліметтері: Электрикалық пештердегі қуатты тұғыну тақтасындағы деректер EN 60350-1 / IEC 60350-1 стандартына сәйкес келтірілген. Бұл деректер төменгі-жоғарғы қыздырғыш элементі немесе желдеткіштің (бар болса) көмегімен қыздыру функцияларымен әдеттегі толтыру кезінде анықталған.

Қуат тиімділігі класы тиісті функциялардың құрылғыда бар не жоқтығына байланысты төменде көрсетілген артықшылықтарға сәйкес анықталған. 1 - Желдеткішпен пісіру - үнемді режим, 2 - Турборежимде жәй пісіру, 3 - Турборежимде пісіру, 4 - Желдеткішпен үстінен/астынан қыздыру, 5 - Үстінен/астынан қыздыру.



Құрылғының сапасын жақсарту кезінде техникалық сипаттамалары алдын ала ескертусіз өзгеруі мүмкін.



Бұл нұсқаулықтағы суреттер үлгі ретінде берілген және құрылғының өзінше шамалы өзгешіліктері бар болуы мүмкін.



Құрылғының зат таңбасындағы немесе ілеспе құжаттағы мәндер тиісті стандарттаға сәйкес зертханалық жағдайларда алынған. Бұл мәндер құрылғыны қолдану жағдайларына байланысты өзгеруі мүмкін.

Бүріккіш сипаттамалары

Жанарғының орны	2 кВт Артқы сол жақ	2.9 кВт Алдыңғы сол жақ	1 кВт Алдыңғы оң жақ	2 кВт Артқы оң жақ
Газ түрі / газ қысымы				
G 20/10 мбар	125	155	90	125
G 20/13 мбар	116	145	84	116
G 20/20 мбар	103	115	72	103
G 30/28-30 мбар	72	87	50	72

3 Орнату

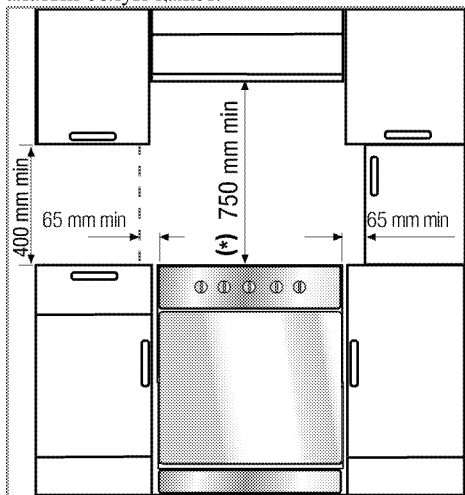
Құрылғыны күші бар қағидаларға сәйкес білікті маман орнатуы қажет. Әйтпесе, кепілдігі жойылады. Уәкілеті жоқ кісілермен орындалған іс рәсімдер нәтижесінде орын алуы мүмкін ақаулықтар үшін өндіруші жауапты емес.

	Орынды және газ бен электр қондырғыларын дайындау – тұтынушы жауапкершілігінде.
	ҚАУІПТІ: Өнім жергілікті газ және электр нормативтеріне сәйкес орнатылуы тиіс.
	ҚАУІПТІ: Орнатпас бұрын, өнімде кемшіліктер жоғына көз жеткізіңіз. Егер болса, оны орнатпаңыз. Зақымданған өнімдер басыңызға қауіп-қатер төндіруі мүмкін.

Орнатудан бұрын

Құрылғы астында қажетті ауа саңылауы сақталғанына сенімді болу үшін, бұл құрылғыны аяғы кілемшенің немесе жұмсартылған еденнің ішіне кіріп кетпеуі үшін қатты негіздің үстіне орнатуды ұсынамыз.

Ас бөлмесінің едені құрылғы салмағымен қоса ыдыс-аяқтар және ыстыққа төзімді ыдыс-аяқтар, тағамдар салмағын көтере алатын болуы қажет.



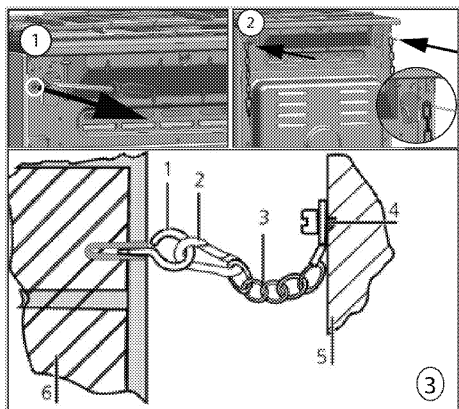
- Оны екі жағынан асүйлік шкафтармен пайдалануға болады, алайда кемпірек деңгейі үстінен ең аз дегенде 400 мм бос кеңістік және де құрылғы мен қабырға, қалқан және биік асүйлік шкаф арасында ең аз дегенде 65 мм бүйірлік бос кеңістік қалдыру қажет.
- Сонымен қатар, құрылғыны жеке өзін орнатуға болады. Кемпірек беті үстінен ең аз дегенде 750 мм бос кеңістік қалдырыңыз.
- (*) Сорып алу құралы асүй плитасының үстінде орнатылуы қажет болса, орнату биіктігіне қатысты асүй сорып алу құралы өндірушісінің нұсқауларына қараңыз (ең азы 650мм).
- Бұл құрылғы 1 санатты құралдары шарттарына сәйкес келеді, сондықтан оны артқы жағымен және бір жақ бүйірімен ас бөлменің қабырғаларына, ас бөлме жиһазына және кез-келген өлшемді жабдыққа кіріп тұратындай етіп орнатуға болады. **Басқа** жақ бүйіріндегі ас бөлме жиһазы немесе жабдығы бірдей немесе кішірек өлшемде болуы мүмкін.
- Құрылғы жанындағы кез-келген ас бөлме жиһазы ыстыққа төзімді болуы қажет (100 °С мин.).

Қауіпсіздік шынжыры

Егер өніміңізде 2 қауіпсіздік шынжыры болса;

Құрылғыны ауып кетпеуі үшін пешпен жабдықталған екі қорғауыш шынжырмен бекітілуі қажет.

Дұрыс істікті пайдалана отырып ілгекті (1) ас бөлме қабырғасына (6) бекітіңіз және қауіпсіздік шынжырын (3) ілгекке құлыптау механизмі (2) арқылы жалғаныз.

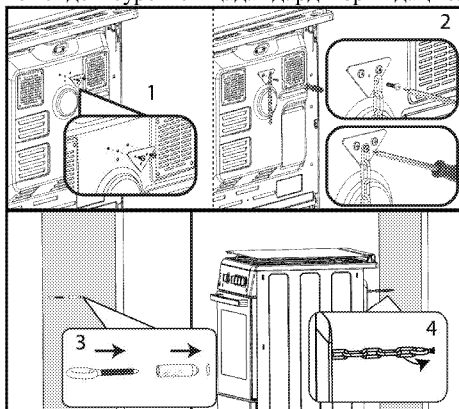


- 1 Тұрақтылық ілгегі
- 2 Құлыптау механизмі
- 3 Қауіпсіздік шынжыры
- 4 Шынжырды ас бөлме плитасының артқы жағына мықтап бекітіңіз.
- 5 Ас бөлме плитасының артқы жағы
- 6 Ас бөлме қабырғасы

Егер өнімніңізде 1 қауіпсіздік шынжыры болса;

Құрылғыны ауып кетпеуі үшін пешпен жабдықталған бір қауіпсіздік шынжырымен бекітілуі қажет.

Өнімге қауіпсіздік шынжырын бекіту үшін, төмендегі суреттегі қадамдарды орындаңыз.



Духовканың бүйірге еңкеюін болдырмау үшін, духовканың алға және диагональ бойынша еңкеюін болдырмау үшін тұрақтылық шынжыры мүмкіндігінше қысқа болуы керек.

Плиталарға арналған плитаның тұрақтылық шынжыры кронштейнді кіргізу тесігімен жасалмаған.

Бөлмені желдету

Барлық бөлмелерде ашылатын терезе немесе баламасы, кейбір бөлмелерде сонымен қатар тұрғылықты желдеткіш құралдары болуы қажет. Жануға қажетті ауа бөлме ауасынан алынады және шығатын газдар тікелей бөлме ішіне таралады. Құрылғының қауіпсіз жұмыс істеуі үшін жақсы желдету тиімді болады.

Тікелей сыртқы ортаға ашылатын есіктері және/немесе терезелері бар бөлмелер

Тікелей сыртқы ортаға ашылатын есіктерде немесе терезелерде құрылғының жалпы газ қуаты негізінде (құрылғының жалпы газ қуаты шығыны осы пайдаланушы нұсқаулығының техникалық сипаттамасы кестесінде көрсетілген) өлшемдері көрсетілген желдету саңылауы болуы қажет. Егер есіктерде және/немесе терезелерде төмендегі кестеде көрсетілгендей құрылғының жалпы газ шығынына сәйкес жалпы желдету саңылауы болмаса, құрылғының жалпы газ шығыны бойынша жалпы минималды желдету талаптарына қол жеткізу үшін қосымша бекітілген желдету саңылауы болуы керек. Бекітілген желдету саңылауында бар саман саңылаулары, шығару қақпағы кіріс саңылауы өлшемі, т. б. болуы мүмкін.

Жалпы тұтынылатын газ қуаты (кВт)	мин. желдеткіш саңылауы (см ²)
0-2	100
2-3	120
3-4	175
4-6	300
6-8	400
8-10	500
10-11,5	600
11,5-13	700
13-15,5	800
15,5-17	900
17-19	1000
19-24	1250

Тікелей сыртқы ортаға ашылатын ашылмалы есіктері және/немесе терезелері жоқ бөлмелер

Егер құрылғы орнатылған бөлмеде тікелей сыртқы ортаға ашылатын есік және/немесе терезе болмаса, басқа өнімдерде жоғарғы кестеде көрсетілгендей құрылғының жалпы газ шығынының жалпы минималды желдету саңылауы талаптарына сәйкес бекітілген реттелмейтін және жабылмайтын желдету саңылауы болуы керек. Сонымен қатар, тиісті ғимарат реттеулері ұсынысы орындалуы керек.

Бөлмеде немесе ішкі бос орында бірнеше газ құрылғысы болса, жоғарыдағы кестеде берілген талапқа сәйкес желдету аймағы төбеде берілуі керек. Қосымша желдету аймағының өлшемі басқа газ құрылғыларының реттеулеріне сәйкес болуы керек.

Құрылғы орнатылатын бөлмеде ішкі ортаға ашылатын есіктің түпкі шетінде 10 мм минималды аралық болуы керек. Кілемдер және басқа еден жабындары, т. б. сияқты элементтер есік жабылған кезде саңылауға әсер етпейтінін тексеруіңіз керек.

Бұл плитаны ас бөлмеде, тамактанатын бөлмеде немесе жатын-қонақ бөлмелерінде орнатуға болады. Жуыну құралдары бар бөлмелерде орнатуға болмайды. Бұл плита көлемі 20 метрден аз жатын-қонақ бөлмелерінде орнатылмауы қажет³. Құрылғының кемінде бір бүйірі жер деңгейіне ашылмайынша, бөлмедегі осы құрылғыны жер деңгейінен төмен орнатпаңыз.

Орнату және қосу

Құрылғыны күші бар нормалар мен ережелерге сәйкес орнату және қосу қажет.



Құрылғыны тоңазытқыштардың немесе мұздатқыштардың жанына орнатпаңыз. Құрылғыдан шығатын ыстық пісіруге арналған құралдардың тоқ тұтынуын жоғарлатады.

- Құрылғыны кем дегенде екі адам көтеруі қажет.
- Құрылғыны тікелей еденнің үстіне орнату қажет. Оны негіздің немесе тіректің үстіне қондыруға болмайды.



Құрылғыны көтеру немесе жылжыту үшін есігінен және/немесе тұтқасынан ұстамаңыз. Есігі, тұтқасы немесе ілгектері бүлінуі мүмкін.

Электрикалық жалғау

Өнімді «Техникалық сипаттамалары» кестесінде көрсетілгендей қуаты жарамды шағын тізбек үзгішпен қорғалған жерге қосылған розеткаға/желіге қосыңыз. Өнімді трансформатормен бірге немесе оны пайдалану кезінде жерге қосу орнатымын білікті электрикке орындатқызыңыз. Біздің компания өнімді жергілікті ережелерге сәйкес жерге қосу орнатымынсыз пайдалануға байланысты туындаған зақымдарға жауапты болмайды.



ҚАУІПТІ:

Құрылғыны қуат берілу жабығына уәкілетті немесе білікті маман қосуы қажет. Құрылғының кепілдік уақыты дұрыс орнатудан соң ғана басталады. Уәкілеті жоқ кісілермен орындалған іс рәсімдер нәтижесінде орын алуы мүмкін ақаулықтар үшін өндіруші жауапты емес.



ҚАУІПТІ:

Қуат сымы қысылған, майысқан немесе бұралған болмауы және құрылғының ыстық беттеріне тиіп тұрмайтындай жерде орналасуы қажет. Бүлінген қуат сымын білікті электр маманы ауыстыруы қажет. Әйтпесе, электр тоғының соғу, қысқа тұйықталу немесе өрт қаупі бар!

Желіден қуаттану мерзімі құрылғы белгісінде көрсетілген деректерге сәйкес болуы қажет. Техникалық деректер тақтасын есікті немесе астыңғы қақпағын ашқанда көруге болады немесе ол құрылғы түріне байланысты құрылғының артқы қабатында ораналасқан. Құрылғының қуат беру сымы "Техникалық сипаттамалар" кесетіндегі мәндерге сәйкес келуі қажет.



Қуат беру сымының ашасы орнатылған соң қол жетімді жерде болуы қажет (оны кемпірек үстінен айналдырып жүргізбеніз).

i Сым жүргізу барысында ұлттық/жергілікті электр нормативтерін қолданып, тиісті розетка шығысын/желісін және пеш тығынын пайдалану керексіз. Өнім қуатының шектері тығын мен розетка шығысы/желісі тасымалдай алатын токтан тыс болса, өнім бекітілген электр орнатуы арқылы тікелей тығынсыз және розетка шығысынсыз/желісінсіз қосылуы керек.

! **ҚАУШПІ:**
Электрлі орнату жұмыстарын бастамас бұрын, құрылғыны қуат берілу жабдығынан ажыратыңыз. Электр тогы соғуының қаупі бар!

Қуат сымын розеткаға қосыңыз.

Газды қосу

! **ҚАУШПІ:**
Құрылғыны газбен жабдықтау жүйесіне уәкілетті және білікті маман жалғауы қажет. Кәсіпті емес жөндеулерге байланысты жарылу мен улану қаупі! Уәкілетті жоқ кісілермен орындалған іс рәсімдер нәтижесінде орын алуы мүмкін ақаулықтар үшін өндіруші жауапты емес.

! **ҚАУШПІ:**
Газ орнату жұмыстарын бастамас бұрын, газ берілуін өшіріңіз. Электр тогы соғуының қаупі бар!

- Құрылғыға лайықтанған газ қысымы мен түрі белгілерде көрсетілген.

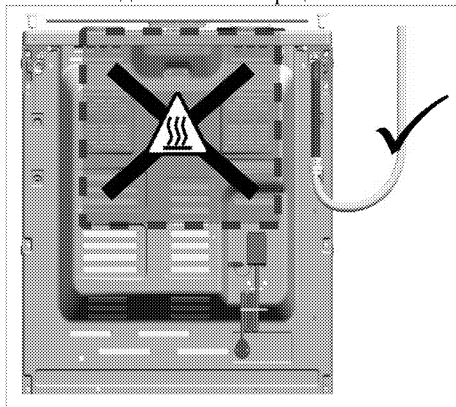
i Құрылғыңыз табиғи газбен (ТБ) жабдықталады.

- Құрылғыны орнатудан бұрын торап үшін табиғи газ орнатымы үйлесімді дайыналуы қажет.
- Өнімнің газ қосылымы өкілетті қызмет көрсету маманымен орындалады.
- Газды құрылғыға жалғау үшін газ шығатын тесікке иілгіш түтікше жалғау керек және осы түтікшенің аузы тығынмен бекітілуі керек. Жалғау барысында тығын алынады және өнім тегіс қосылым құрылғысы (муфта) арқылы жалғанады.

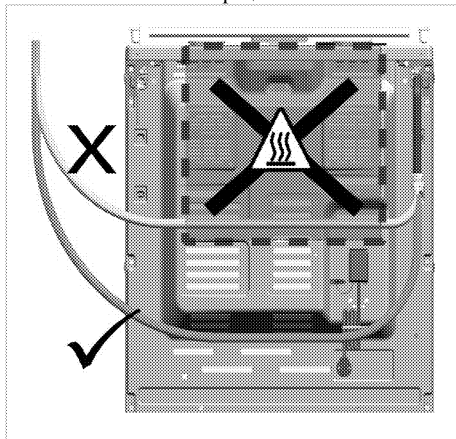
- Газ шүмегі кол оңай жететін жерде тұрғанына көз жеткізіңіз.
- Құрылғыны кейінірек басқа газ түрімен пайдалану қажет болса, осындай ауысымды орнату жолы туралы кеңес алу үшін Уәкілетті қызмет көрсету маманына хабарласыңыз.

Өнімде тек бір газ шығысы болса;

- Газ шлангісін жалғау алдында өнім артындағы газ шлангісінің шығысы табиғи газ клапаны сияқты өнімнің бір жағында екенін тексеріңіз.



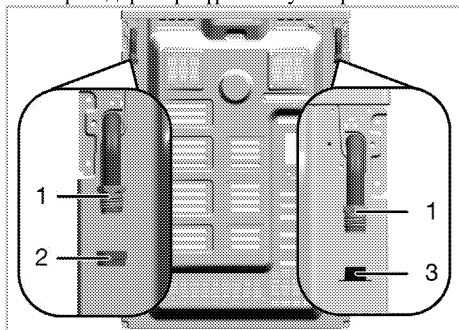
- Газ шлангісінің шығысы және табиғи газ клапаны бір жақта болмаса, шлангіні жалғау кезінде ол ыстық аймақтан өтпейтінін тексеріңіз.



Өнімде екі газ шығысы болса;

- Екі шығыстың біреуі тығынмен бекітіледі, ал екіншісі пластик тығынмен бекітіледі. Өнімге

байланысты тығын мен пластик тығын орындары әр түрлі болуы мүмкін.

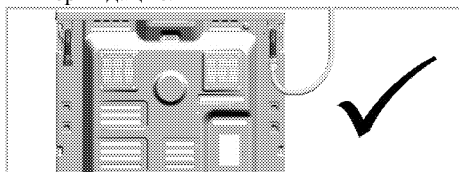


1 Газ шлангісінің шығысы

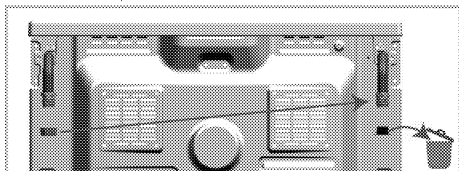
2 Тығын

3 Пластикалық тығын

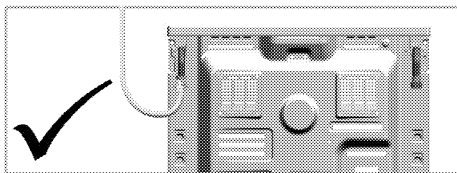
- Газ қосылымынан бұрын өнімнің табиғи газ клапаны және газ шлангісінің шығысы газға бірдей жағымен қосылғанына көз жеткізіңіз.
- Егер табиғи газ клапаны және пластик тығыны бар газ шлангісінің шығысы бірдей жаққа қарап тұрса, газ қосылымын төмендегі суретке сәйкес орындаңыз.



- Егер табиғи газ клапаны және тығынмен тығыздалған газ шлангісі бірдей жаққа қарап тұрса, пластик тығынды алыңыз және жойыңыз. Тығынды алып, газ қосылымы жаңа (пайдаланылмаған) бекіту сальнигімен жасалмаған орындағы газ шлангісі шығысын жабыңыз.



- Төмендегі суретте көрсетілгендей табиғи газ клапанына жақын газ шлангісі шығысында газ қосылымын жасаңыз.



Өртеу қаупі:

Егер қосылымды төмендегі нұсқауларға сәйкес орындамасаңыз, газ жылыстауы және өртке себеп болуы мүмкін. **Компания бұндайdan болған зақымдарға жауапты болмайды.**

- Газ қосылымы тек өкілетті қызмет көрсету провайдерімен жасалуы керек.
- Өнімнің газ қосылымын табиғи газ клапанының маңындағы газ шлангісінің шығысы бойынша анық орындаңыз.
- Пластик тығын тасталып, пайдаланылмайтын газ шлангісінің шығысы тығынмен бекітілуі керек.
- Пайдаланылмайтын газ шлангісі шығысын жасырын тығынмен бекіткен кезде жаңа және пайдаланылмайтын бекіту сальнигін пайдалануыңыз керек.



ҚАУІПТІ:

Иілгіш газ шлангісін айналасындағы жылжымалы бөлшектерге тимейтін және жылжымалы бөлшектері қозғалған кезде тұрып қалмайтын жолмен жалғануы керек. (мысалы, тартқыштар). Сонымен қатар, оны қысылуы мүмкін орындарға орналастырмау керек.



ҚАУІПТІ:

Газ түтікшесі қысылған, майысқан немесе бұралған болмауы және құрылғының ыстық беттеріне тиіп тұрмайтындай жерде орналасуы қажет. Бүлінген газ түтікшесіне байланысты жарылу қаупі.

Қосылу нүктесін кемуге тексеру

- Құрылғыдағы барлық тұтқыштар өшіріліп тұрғанын тексеріңіз. Газ берілуі ашық екенін тексеріңіз. Сабынды көбік дайындап, оны газ кемуді бақылау үшін қосылу нүктесіне қолданыңыз.
- Егер газ ағуы бар болса, сабындалған жағы көбіктенеді. Мұндай жағдайда, газ қосылымын тағы да тексеріңіз.

- **Егер өнімде екі газ шлангісінің шығысы болса**, пайдаланылмаған газ шығысы тығынмен бекітілгенін тексеріңіз. Газ кемуін тексеру үшін, сабынды көбік дайындап, оны тығынның қосылу нүктесіне қолданыңыз. Егер газ ағуы бар болса, сабындалған жағы көбіктенеді. Мұндай жағдайда, газ тығыны байланысын қайта тексеріңіз.
- Газ кемуін тексеру үшін, сабын орнына коммерциялық қолжетімді спрейлерді пайдалана аласыз.



Газ ағуын бақылау үшін ешқашан сіріңке немесе оттық пайдаланбаңыз.

- Құрылғыны асуі қабырғасына қарай итеріңіз.
- **Пештің аяқтарын лайықтау**
Пайдалану кезіндегі діріл ыдыстарды қозғалтуы мүмкін. Құрылғы тегіс және теңелген жағдайда тұрса, мұндай қауіпті жағдайды болдырмауға болады. Өз қауіпсіздігіңіз үшін, құрылғының төрт аяғын оңға немесе солға бұрау арқылы тең тұрғанын және жұмыс бетін тегіс деңгейде тұрғанын тексеріңіз.

Соңғы тексері

1. Электрикалық функцияларды тексеріңіз.
2. Газ берілуін ашыңыз.
3. Газ орнатулары мықты бекітіліп, орнықтырылғанын тексеріңіз.
4. Жанарғыларды жағып, жалын көрінісін тексеріңіз.



Жалын көс түсті және қалыпты пішінде болуы қажет. Жалын сарғыштау болса, жанарғы қақпағын дұрыс қондырылғанын тексеріңіз немесе жанарғыны тазалаңыз.

Басқа газ түріне ауысу



ҚАУІПТІ:

Газ орнату жұмыстарын бастамас бұрын, газ берілуін өшіріңіз. Электр тогы соғуының қаупі бар!

Басқа газ түріне ауысу үшін, құрылғының барлық бүріккіштерін ауыстырыңыз және газ берілу деңгейін төмендету үшін барлық шүмектерді реттеңіз.

Жанарғылардағы бүріккіштерді ауыстыру

1. Жанарғы қақпағын алып, жанарғы денесін шығарып алыңыз.
2. Бүріккіштерді сағат тіліне қарсы бұрау арқылы шығарып алыңыз.
3. Жаңа бүріккіштерді салыңыз.
4. Барлық жалғаулардың мықты бекітіліп, орнықтырылғанын тексеріңіз.

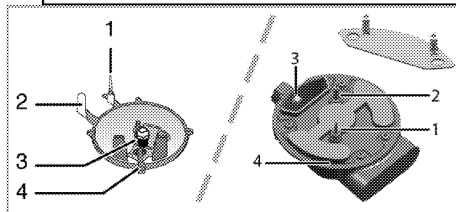


Жаңа бүріккіштердің орындары орамаларында немесе *Бүріккіш сипаттамалары, Бет 15* бүріккіш кестесінде берілген.



((Құрылғы үлгісіне байланысты өзгереді.))

Кейбір плита жанарғыларында бүріккіш металл бөлікпен жабылады. Бүріккішті ауыстыру үшін осы металл бөлік алынуы қажет.



- 1 Жалынды төмендету құралы (үлгіге байланысты)
- 2 Жағу шамы
- 3 Бүріккіш
- 4 Жанарғы



Аса қажет болмаған жағдайда, жанарғылардың газ шүмектерін алмаңыз. Шүмектерді ауыстыру қажет болса, Уәкілетті қызмет көрсету орталығына хабарласыңыз.

Газ берілуін төмендету үшін газ шүмектерін реттеу

1. Реттеу қажет жанарғыны жағып, реттегіш тұтқышын төмендетілген жалын жағдайына қарай бұраңыз.
2. Реттегіш тұтқышын газ шүмегінен шығарып алыңыз.
3. Газ беру реттегішінің бұрамасына өлшемі сәйкес келетін бұрағышты пайдаланыңыз.

Сұйытылған мұнай газы (бутан-пропан) үшін бұраманы сағат тілімен бұрау қажет. Табиғи газ үшін, бұраманы бір айналымға **сағат тіліне қарсы** бұрау қажет.

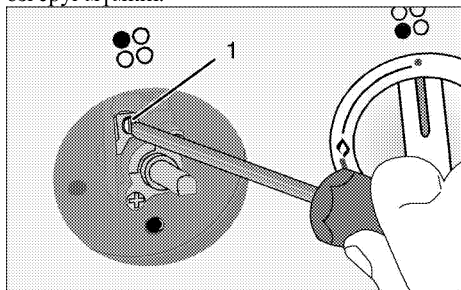
» Реттегіш ең төменгі жалын жағдайына орнатылғанда тіке жалынның әдеттегі биіктігі 6-7 мм болуы қажет.

4. Егер жалын қажетті жағдайдан биік болса, бұраманы сағат тілімен бұраңыз.

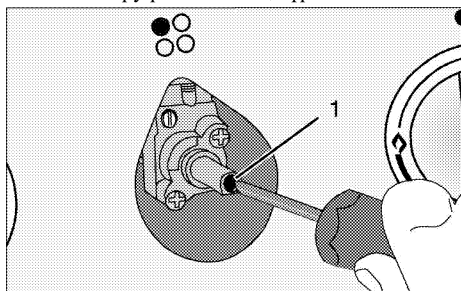
Егер төмен болса, сағат тіліне қарсы бұраңыз.

5. Соңғы тексеру үшін, жанарғыштың реттегішін ең жоғары және ең төмен жалын жағдайына қаратып, жалын жанғанын не өшірілгенін тексеріңіз.

Құрылғыда қолданылатын газ шүмегі түріне байланысты, реттегіш бұрамасының орны өзгеруі мүмкін.



1 Газ беру реттегішінің бұрамасы



1 Газ беру реттегішінің бұрамасы

i Егер құрылғының газ түрі ауыстырылса, құрылғының газ түрін көрсететін техникалық мәліметтерді беретін тақтайшада өзгертілуі қажет.

Келешекте тасымалдау

- Өнімнің бастапқы қорабын сақтап, өнімді соның ішінде тасымалдаңыз. Қораптағы нұсқауларды орындаңыз. Бастапқы қорап болмаса, өнімді көпіршікті орамаға немесе қалың қорапқа салып, тығыздап ораңыз.
- Пештің ішіндегі сымды гриль мен науаның пеш есігін зақымдамауы үшін, науалардың қалпымен бірдей орналасқан пеш есігінің ішкі жағына картон жолағын салыңыз. Пеш есігін қапталындағы қабырғаға біріктіріп ораңыз.
- Қақпақтары мен жайпақ қаңылтыр табаны жапсырмалы лентамен нық етіп ораңыз.
- Өнімді қозғау немесе көтеру үшін оның есігін немесе ұстатқышын қолданбаңыз.

i Құрылғы үстіне ешқандай заттар қоймаңыз және оны тігінен жылжытыңыз.

i Тасымалдау кезінде туындаған болуы мүмкін өнімнің жалпы көрінісінде ешбір зақымның болмауын тексеріңіз.

4 Дайындық

Қуатты үнемдеу бойынша кеңестер

Келесі апарат осы құралды қоршаған ортаға зиянсыз жолмен пайдаланып, қуатты үнемдеуге көмектеседі:

- Пештің ішінде күнгірт түсті не эмальденген ыдыс-аяқ пайдаланыңыз, себебі олар ыстықты жақсы өткізеді.
- Пайдаланушы нұсқаулығында не пісіру нұсқауларында кенес берілген болса, тағамды пісіру кезінде алдын ала қыздыруды жасаңыз.
- Пісіру кезінде пештің есігін жиі аша берменіз.
- Мүмкін болған жағдайларда, пешті бір уақытта бірнеше тағамды пісіруге тырысыңыз. Тағамды сымды сөреге пісіру ыдыстарын қою арқылы эзірлеуге болады.
- Бірнеше тағам эзірлейтін болсаңыз, оларды бірінен кейін бірін бірден пісіріңіз. Пешті қайта қыздырудың қажеті болмайды.
- Пешті пісіру уақыты аяқталар алдында бірнеше минут бұрын өшіру арқылы қуатты үнемдеуге болады. Пештің есігін ашпаңыз.
- Пісірмей тұрып, мұздатылған тағамдарды ерітіп алыңыз.
- Пісіру үшін қақпағы бар қазандарды/табаларды пайдаланыңыз. Қақпағы жоқ ыдыста пісіру қуаттың тұтынылуын 4 есеге арттыруы мүмкін.
- Тағам эзірленетін қазанның астына сәйкес келетін жанарғыны пайдаланыңыз. Әрдайым тағамдарға сәйкес келетін ыдыс өлшемін қолданыңыз. Ыдыс тағамнан үлкен болса, оны пісіру үшін көбірек қуат кетеді.

Алғашқы қолдану

Құрылғыны алғаш рет тазалау



Бет кейбір жуғыш заттарды немесе тазалағыш заттарды пайдаланғанда бүлінуі мүмкін.

Тазалау кезінде қатты жуғыш заттарын, тазалағыш ұнтақтарын/кремдерін немесе кез-келген өткір заттарды пайдаланбаңыз.

1. Барлық бума материалдарын алып тастаныз.
2. Құрылғының бетін ылғал матамен немесе губкамен сүртiңiз және матамен құрғатыңыз.

Бастапқы қыздыру

Өнімді 30 минуттай қыздырып, ажыратыңыз. Осылайша, кез келген өндірістік қалдықтар немесе қабаттар жанып кетеді және жойылады.



АБАЙЛАҢЫЗ!

Ыстық беттер жануға алып келеді!

Құрылғы жұмыс істеуі кезінде қатты қызуы мүмкін. Ешқашан ыстық жанарғыларды, пештің ішкі бөліктерін, ысытқыш бөліктерін және т.б. ұстамаңыз. Балаларды аулақ ұстаңыз. Тағамды пешке салар немесе пештен шығарар кезінде әрқашан ыстыққа төзімді қолғаптарды пайдаланыңыз.

Электр пеші

1. Пештен барлық пісіру науалары мен гриль торын алыңыз.
2. Пештің есігін жабыңыз.
3. Static (Тұрақты) бағытын таңдаңыз.
4. Ең жоғарғы грильдеу қуатын таңдаңыз; *Электр пешін іске қосу жолы, Бет 26* бөлімін қараңыз.
5. Пешті шамамен 30 минут қосып қойыңыз.
6. Пешті ажыратыңыз; *Электр пешін іске қосу жолы, Бет 26* бөлімін қараңыз

Гриль пеші

1. Пештен барлық пісіру науалары мен гриль торын алыңыз.
2. Пештің есігін жабыңыз.
3. Ең жоғарғы грильдеу қуатын таңдаңыз; *Грильді іске қосу жолы, Бет 29* бөлімін қараңыз.
4. Пешті шамамен 30 минут жұмыс істеткізіңіз.
5. Грильдеу функциясын ажыратыңыз; *Грильді іске қосу жолы, Бет 29* бөлімін қараңыз



Құрылғы алғашқы іске қосылғанда, бір-екі сағат бойы түтін мен иіс шығуы мүмкін. Бұл қалыпты жағдай. Түтін мен иісті кетіру үшін бөлме дұрыс желдетілетінін тексеріңіз. Шығып жатқан түтін мен иісті тікелей жұтудан сақ болыңыз.

5 Кемпіректі қолдану жолы

Пісіру туралы жалпы мәліметтер



Табаға ешқашан үштен бірінен асырып май құймаңыз. Майды қыздыру кезінде кемпіректі қараусыз қалдырмаңыз. Қатты қызып кеткен май өрт қаупін тудырады. **Өрт болып қалған жағдайда, оны ешқашан сумен өшіруге тырыспаңыз!** Май отқа тиген жағдайда, оны өртке төзімді жапқышпен немесе ылғал матамен жабыңыз. Егер кемпіректі өшіру қауіпсіз болса, оны өшіріп, өрт сөндіру бөліміне хабарласыңыз.

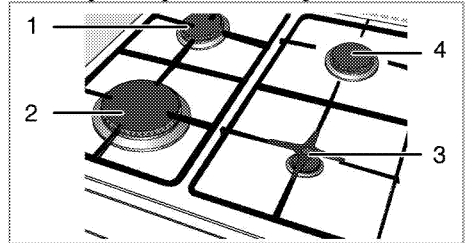
- Тағамдарды қуырудан бұрын, оларды әрқашан жақсылап құрғатып, ыстық майға жайлап салыңыз. Қуырудан бұрын мұздатылған тағамдар толығымен ерітілгеніне көз жеткізіңіз.
- Майды қыздыру кезінде, пайдаланып жатқан ыдысты жаппаңыз.
- Табалар мен кәстрөлдерді тұтқалары қызып кетпеуі үшін тұтқалары кемпірек үстінде тұрмайтындай етіп қойыңыз. Ыдыстарды кемпірек үстіне теңгерімсіз және оңай құлап кететіндей жағдайда қоймаңыз.
- Бос ыдыстарды және кәстрөлдерді пісіру аймағы үстіне қосулы кезінде қоймаңыз. Олар бүлінеді.
- Пісіру аймағын үстінде ыдыстарсыз және кәстрөлдерсіз іске қосу құрылғыны бүлдіреді. Пісіру аймақтарын тағамды пісіру толығымен аяқталған соң өшіріңіз.
- Құрылғының беті ыстық болуы мүмкіндігінен, пластика және алюминий ыдыстарды үстіне қоймаңыз. Мұндай ыдыстарды тағамдарды сақтау үшін де пайдалануға болмайды.
- Жайпақ түпті кәстрөлдер мен ыдыстарды ғана пайдаланыңыз.
- Кәстрөлдер мен табаларға тағамның тиісті мөлшерін салыңыз. Сондықтан, ыдыстардың сыртынан ағып кетуін

болдырмау арқылы қажетсіз тазалауды орындау қажет болмайды. Кәстрөлдер мен табалардың қақпақтарын пісіру аймағына қоймаңыз. Кәстрөлдерді пісіру аймағының ортасында тұратындай етіп қойыңыз. Кәстрөлді басқа пісіру аймағына жылжыту қажет болса, оны сырғытпай, көтеріп пісіру аймағына қойыңыз.

Газ кемпірегі

- Ыдыс пен жалын көлемі бір-біріне сәйкес келуі қажет. Газ жалынын ыдыстың түбінен асып кетпейтіндей етіп лайықтап, ыдысты ұстағыштың ортасына қойыңыз.

Кемпіректерді қолдану



- 1 Қалыпты жанарғы 18-20 см
- 2 Жылдам жанарғы 22-24 см
- 3 Қосымша жанарғы 12-18 см
- 4 Қалыпты жанарғы 18-20 см сәйкес жанарғыларда пайдаланылатын ыдыстардың ұсынылатын диаметрлерінің тізімі.



АБАЙЛАҢЫЗ!

Пісіру табаларын жоғарыда берілген шектерден тыс пайдаланбаңыз. Үлкен табаларды пайдалану көміртек тотығынан улану, қосымша беттер мен басқару тұтқаларының қызып кетуі қаупіне себеп болады. Кішкентай табаларды пайдалану жалынған күйіп қалу қаупіне себеп болады.

Үлкен жалын белгісі ең жоғары пісіру қуатын, ал кіші жалын белгісі ең төмен пісіру қуатын білдіреді. Өшірулі жағдайда (жоғарғы жағы), газ жанарғыларға берілмейді.

Газ жанарғыларын жағу



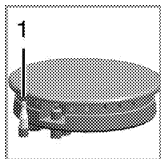
Газ жанарғылары жағу түймешіктерімен жанады.

1. Жанарғы тұтқышын басып тұрыңыз.
2. Оны сағат тіліне қарсы үлкен жалын белгісіне қарай бұраңыз.
3. Жағу түймешігін басып, жіберіңіз. Осы әрекетті берілген газ жанғанша қайталаңыз.
4. Қажетті қуат деңгейін орнатыңыз.

Газ жанарғыштарын өшіру

Жылыту аймағы тұтқышын Өшірулі (жоғарғы) жағдайына қарай бұраңыз.

Газдың шығып кетуінен сақтайтын жүйе (жылу бөлігі бар үлгілерде)



1. Газдың шығып кетуінен сақтау

Жанарғылар жалын сұйықтық төгілу себебінен кенеттен өшіп қалса, газдың жіберілуін тоқтатын сақтандырғыш құрылымымен жабдықталған.

- Жағу үшін тұтқышты басып, оны сағат тіліне қарсы бұраңыз.

- Сақтау жүйесін қосы үшін, газ жанған соң, тұтқышты 3-5 секунд бойы басып тұрыңыз.
- Егер тұтқышты басып, жіберген соң газ жанбаса, тұтқышты 15 секунд бойы басып тұру арқылы сол әрекеттерді қайталаңыз.



ҚАУІПТІ:

Егер жанарғы 15 секунд ішінде жанбаса, түймешікті жіберіңіз. Қайталау үшін кем дегенде 1 минут күтіңіз. Газ жиналуы мен жарылу қаупі бар!

6 Пешті іске қосу жолы

Пісіру, қуыру және грильде дайындауға қатысты жалпы мәліметтер



АБАЙЛАҢЫЗ!

Ыстық беттер жануға алып келеді! Құрылғы жұмыс істеуі кезінде қатты қызуы мүмкін. Ешқашан ыстық жанарғыларды, пештің ішкі бөліктерін, ысытқыш бөліктерін және т.б. ұстамаңыз. Балаларды аулақ ұстаныңыз.

Тағамды пешке салар немесе пештен шығарар кезінде әрқашан ыстыққа төзімді қолғаптарды пайдаланыңыз.



ҚАУШПТИ:

Пеш есігін абайлап ашыңыз, себебі бу шығып кетуі мүмкін.

Шығып жатқан бу қолдарыңызды, бетіңізді және/немесе көздеріңізді күйдіруі мүмкін.

Пісіруге арналған кеңестер

- Күйдірмейтін құралмен қапталған металды табаларды немесе алюминий ыдыстарын немесе ыстыққа төзімді силиконды қалыптарды пайдаланыңыз.
- Сөредегі бос орынды қолданыңыз.
- Пісіру қалпын сөренің ортасына қойыңыз.
- Пешті немесе грильді қоспас бұрын сөренің дұрыс жағдайын тандаңыз. Пеш ыстық кезінде сөре жағдайын өзгертпеңіз.
- Пеш есігін жабық ұстаныңыз.

Қуыруға арналған кеңестер

- Пісіру толықтай тауық етіне, күркетауықты және үлкен бөлікті еттерді лимон шырыны және кара бұрыш секілді қатықтарды дәмдеу пісіруі тиімділігін жоғарлатады.
- Сүйекті еттерді қуыру үшін бірдей мөлшердегі сүйексіз еттерді қуырғанмен салыстырғанда 15-тен 30-қа минутқа дейін ұзағырақ уақыт кетеді.
- Ет жуандығының әрбір сантиметрі пісіру уақытының 4-5 минутын талап етеді.
- Пісіру уақыты аяқталған соң, етті пештің ішінде 10 минутқа қалдырыңыз. Шырын қуырылған еттің үстінен

жақсырақ тарайды және етті кескен кезде шығып кетпейді.

- Балық ыстыққа төзімді жайпақ тактаға ортаңғы немесе төменгі сөреге қойылуы қажет.

Грильде дайындауға арналған кеңестер

Ет, балық және құс еті грильде дайындалғанда, олар тез қызарады, үстіңгі қабықшасы жақсы болып, кеуіп кетпейді. Жайпақ бөліктер, ет істіктері мен жіңішке шұжықтарды әсіресе қызанақ және қияр секілді құрамында суы көп көкөністермен грильде дайындауға болады.

- Бөліктерді грильде дайындалуы үшін сым тор сөренің үстіне немесе астында сым тор сөресі бар жайпақ табының үстіне жайып салыңыз. Жабылған бос орынның көлемі қыздырғыштың көлемінен аспауы қажет.
- Гриль бар сым тор сөрені немесе жайпақ табаны пештің қажетті дейгейіне қойыңыз. Грильді сым тор сөреде дайындап жатқан болсаңыз, төменгі сөреге майды жинайтын жайпақ таба қойыңыз. Тазалау оңай болу үшін, табаға шамалы су құйыңыз.

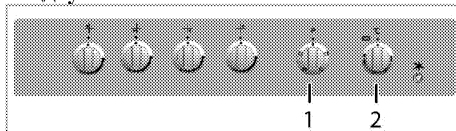


Грильде дайындауға жарамды емес тағамдар өрт қаупін тудырады. Грильде дайындауға арналған тағамдар ғана қарқынды гриль ыстығына жарамды.

Тағамды грильдің артқы жағына қарай тым алысқа қоймаңыз. Бұл ең ыстық жер және майлы тағам отқа тиуі мүмкін.

Электр пешін іске қосу жолы

Температураны және жұмыс режимін таңдау



- 1 Функция тетігі

2 Термостат тетігі

1. Функция тетігін қажетті жұмыс режиміне орнатыңыз.
2. Температура тетігін қажетті температураға орнатыңыз.

» Пеш орнатылған температураға дейін қызып, соны сақтап тұрады. Қыздыру кезінде, температура шамы жанып тұрады.

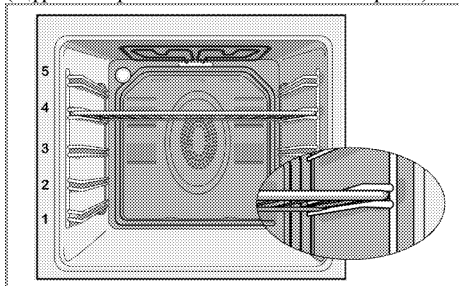
Электр пешін өшіру

Функция тетігін және температура тетігін "өшіру (жоғарғы) позициясына қарай бұрыңыз.

Сымнан жасалған текшені бүйірдегі сөреге дұрыс қою өте маңызды. Сымнан жасалған текше бүйірдегі сөрелердің арасына суретте көрсетілгендей салынуы керек.

Сымнан жасалған текше пештің артқы қабырғасына қарама-қарсы орнатылмауы тиіс. Тамаша грильдеу нәтижесін алу үшін, сымнан жасалған текшені сөренің алдыңғы бөлігіне сырғытып салыңыз да, есіктің көмегімен бір орынға орналастырыңыз.

(Құрылғы үлгісіне байланысты өзгереді.)



Жұмыс режимдері

Осы жерде көрсетілген жұмыс режимдерінің реті сіздің үлгіңізден өзгеше болуы мүмкін.

Жоғарғы және төменгі қыздыру



Жоғарғы және төменгі қыздыру функциялары іске қосылған. Тағам үстінен және астынан да бір уақытта қыздырылады. Мысалы, бұл торттар, нан өнімдері немесе пісіру қалыпының ішіндегі торттар және пісірмелер үшін ыңғайлы болады. Тек бір табамен пісіру.

Астынан қыздыру



Тек төменнен қыздыру функциясы іске қосылған. Бұл пицца және осыған ұқсас тағамдарды төменнен қыздыру үшін ыңғайлы. Бұл функция бұмен оңай тазалау үшін де пайдаланылуы керек.

Гриль



Пештің төбесіндегі кішкентай грильдеу құралы қосылады. Гриль жасау үшін ыңғайлы.

- Грильдеу үшін, кіші не орташа өлшемді порцияларды грильдеу құралының астында дұрыс сөре позициясына қойыңыз.
- Температураны ең жоғары деңгейге орнатыңыз.
- Грильдеу уақытын жартысы өткен соң, тағамды айналдырыңыз.

Толық грильдеу



Пештің төбесіндегі үлкен грильдеу құралы қосылады. Үлкен мөлшердегі асты грильдеу үшін ыңғайлы.

- Грильдеу үшін, үлкен не орташа өлшемді порцияларды грильдеу құралының астында дұрыс сөре позициясына қойыңыз.
- Температураны ең жоғары деңгейге орнатыңыз.
- Грильдеу уақытын жартысы өткен соң, тағамды айналдырыңыз.

Тағамдарды пісіру уақытының кестесі



Бұл диаграммадағы уақыттар нұсқаулық ретінде берілген. Уақытты белгілеу тағамның температурасына, қоюлығына, түріне және өзіңіздің талғамдарыңызбен пісіруге қарай өзгеруі мүмкін.

Пісіру және қуыру



Пештің 1-ші сөресі болып төменгі сөре есептеледі.

Тағам	Таба саны		Сөре орны	Температура (°C)	Пісіру уақыты (минутпен есептегенде шамамен)
**Табадағы торттар	Бір таба	<input type="checkbox"/>	3	175	30 ... 45
**Қалыптың ішіндегі торттар	Бір таба	<input type="checkbox"/>	3	175	30 ... 50
**Пісіру қағазының ішіндегі торттар	Бір таба	<input type="checkbox"/>	3	160 ... 170	20 ... 30
**Бисквитті торт	Бір таба	<input type="checkbox"/>	3	180 ... 200	10 ... 20
**Печеньелер	Бір таба	<input type="checkbox"/>	3	160 ... 170	20 ... 30
**Қамырдан жасалған пісірме	Бір таба	<input type="checkbox"/>	3	200	20 ... 30
**Қамырдан жасалған пісірме	Бір таба	<input type="checkbox"/>	3	190	25 ... 35
**Ашытқы	Бір таба	<input type="checkbox"/>	3	190	20 ... 40
**Лазанья	Бір таба	<input type="checkbox"/>	2	180	25 ... 45
**Пицца	Бір таба	<input type="checkbox"/>	2	200	15 ... 25
Бифштекс (бүтін) / Қуырдақ	Бір таба	<input type="checkbox"/>	2	25 мин. 220, содан кейін 180 ... 190	80 ... 120
Қозының аяғы (пісірме)	Бір таба	<input type="checkbox"/>	2	25 мин. 220, содан кейін 180 ... 190	70 ... 100
Қуырылған тауық	Бір таба	<input type="checkbox"/>	2	15 мин. 220, содан кейін 190	55 ... 75
Түйетауық (Тілмделген)	Бір таба	<input type="checkbox"/>	2	25 мин. 220, содан кейін 190	70 ... 120
Бауық	Бір таба	<input type="checkbox"/>	3	200	20 ... 30

(**) Алдын ала қыздыруды талап ететін пісіру процестері үшін процесс басында пешті орнатылған температураға жеткенше алдын ала қыздырыңыз.

Тортты пісіруге арналған кеңестер

- Егер торт тым құрғақ болса, температура деңгейін 10°C градусқа арттырып, пісіру уақытын азайтыңыз.
- Торт ылғал болса, азырақ сұйықтық пайдаланып, температура деңгейін 10°C градусқа азайтыңыз.
- Егер торттың беті күйіп жатса, оны төменгі сөреге орнатып, температураны азайтыңыз және пісіру уақытын көбейтіңіз.
- Іші жақсы піскен, алайда сырты әлі жабысқақ болса, азырақ сұйықтық пайдаланып, температураны азайтыңыз және пісіру уақытын көбейтіңіз.

Тәтті пісірмелерді әзірлеуге арналған кеңестер

- Егер тәтті пісірме тым құрғақ болса, температура деңгейін 10°C градусқа арттырып, пісіру уақытын азайтыңыз. Қамырдың қабаттарын сүт, май, жұмыртқа және йогурттан жасалған соуспен ылғалдатыңыз.
- Егер тәтті пісірмені ұзақ уақыт пісіру қажет болса, оның қалыңдығы табаның тереңдігінен асып кетпеуін қадағалаңыз.
- Тәтті пісірменің беті күйіп, ал асты әлі піспей жатса, қолданылған соустың пісірме астына тым көп жағылмағанын тексеріңіз. Біртекті қызаруы үшін, соусты қамыр қабаттарының арасында

және пісірменің бетіне бірдей етіп жағыңыз.



Тәтті пісірмені кестеде көрсетілген режим және температураға сәйкес пісіріңіз. Егер астыңғы жағы әлі қызармаған болса, оны келесі де төменгі сөреге қойыңыз.

Көкөністерді пісіру бойынша кеңестер

- Көкөністен жасалған тағамның суы тартылып, құрғап кетсе, оны табада емес, қақпағы бар қазанда пісіріңіз. Жабық ыдысты тағамның суы сақталады.
- Егер көкөніс тағамы піспесе, көкөністерді алдын ала қайнатып алыңыз немесе оларды консервіленген ас сияқты даярлаңыз және пешке қойыңыз.

Грильді іске қосу жолы



АБАЙЛАҢЫЗ!

Грильдеу кезінде, пеш есігін жауып қойыңыз.

Ыстық беттер жануға алып келеді!

Грильді қосу

1. Функция тетігін қажетті грильдеу белгісіне қарай бұрыңыз.
 2. Содан кейін, қажетті грильдеу температурасын таңдаңыз.
 3. Қажет болса, шамамен 5 минут бойына алдын ала қыздыру жасап алыңыз.
- » Температура шамы жанады.

Грильді өшіру

1. Функция тетігін Өшірулі (жоғарғы) позициясына қарай бұраңыз.



Грильде дайындауға жарамды емес тағамдар өрт қаупін тудырады. Грильде дайындауға арналған тағамдар ғана қарқынды гриль ыстығына жарамды.

Тағамды грильдің артқы жағына қарай тым алысқа қоймаңыз. Бұл ең ыстық жер және майлы тағам отқа тиіу мүмкін.

Грильденетін тағамдарды пісіру уақытының кестесі

Электр грильде қуыру

Тағам	Сөре орны	Ұсынылған температура (°C)**	Грильдеу уақыты (шамамен)
Балық	4...5	250/max	20...25 мин. #
Тілімделген тауық	4...5	250/max	25...35 мин.
Қозының жаншылған еті	4...5	250/max	20...25 мин.
Ростбиф	4...5	250/max	25...30 мин. #
Бұзаудың жаншылған еті	4...5	250/max	25...30 мин. #
Тостерленген нан *	4	250/max	1...3 мин.

қалыңдығына байланысты

*5 минут бойы алдын ала қыздырыңыз

**Өнімнің гриль температурасын реттеу мүмкін болмаса, гриль максималды температурада жұмыс істейді.

7 Күту мен техникалық қызмет көрсету

Жалпы мәліметтер

Құрылғы жиі аралықпен тазаланып тұрса, құрылғының қызмет көрсету мерзімі ұзартылып, ақаулықтар ықтималдығы төмендейді.



ҚАУШПІ:

Қызмет көрсету және тазалау жұмыстарын бастамас бұрын, құрылғыны қуат жүйесінен ажыратыңыз.
Электр тогы соғуының қаупі бар!



ҚАУШПІ:

Тазалауды бастаудан бұрын, құрылғының салқындауына уақыт беріңіз.
Ыстық беттер жануға алып келеді!

- Құрылғыны әрбір пайдаланудан кейін түгелімен тазалап шығыңыз. Осылай тағам қалдықтарын оңай алып тастауға мүмкін болады, бұл құрылғыны келесі жолы пайдаланғанда олардың жануынан сақтайды.
- Құрылғыны тазалау үшін арнайы тазалағыш заттар қажет емес. Пеш есігін тазалау үшін, құрылғыны тазалауға жуу сұйықтығымен жылы су, жұмсақ мата пайдаланыңыз және құрғақ шүберекпен сүртіңіз.
- Әрқашан тазалаудан кейін артық сұйықтық толығымен сүртілгенін және ағындылар дереу құрғатылып сүртілгенін тексеріңіз.
- Құрамында қышқыл немесе хлорид бар жуғыш заттарды тот баспайтын болатты беттерді және тұтқаны тазалау үшін пайдаланбаңыз. Сол бөліктерді тазалап сүрту үшін жұмсақ матаны сұйық (қатты емес) жуғыш затпен пайдаланып, бір бағытта сүртіңіз.



Бет кейбір жуғыш заттарды немесе тазалағыш заттарды пайдаланғанда бүлінуі мүмкін.

Тазалау кезінде қатты жуғыш заттарын, тазалағыш ұнтақтарын/кремдерін немесе кез-келген өткір заттарды пайдаланбаңыз.



Жабдықты тазалау үшін бу тазалағыштарын пайдаланбаңыз, өйткені ток соғуы мүмкін.

Пісіру тақтасын тазалау

Газ кемпіректері

1. Кемпіректер мен жанарғы қақпақтарын шығарып алып, тазалаңыз.
2. Пісіру тақтасын тазалаңыз.
3. Жанарғы қақпақтарын өз орындарына дұрыстап қондырыңыз.
4. Жоғарғы торды орнатқанда, жанарғылар кемпіректердің ортасына қондырылғанын тексеріңіз.

Басқару тақтасын тазарту

Басқару тақтасын және тұтқаларды дымқыл матамен тазалап, оларды кептіріп сүртіңіз.



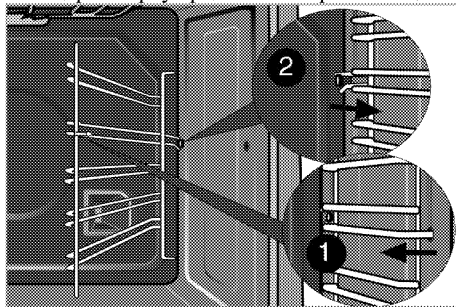
Егер өнім түймешіктермен/тұтқыштармен жабдықталса, басқару тақтасын тазалау үшін басқару тұтқыштарын алмаңыз.
Басқару тақтасы бүлінуі мүмкін!

Пешті тазалау

Бүйір қабырғасын тазалау (Құрылғы үлгісіне байланысты өзгереді.)

(Бұл мүмкіндік қосымша. Ол өнімде болмауы мүмкін.)

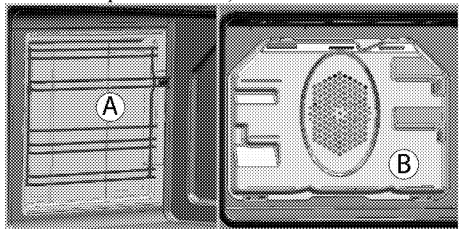
1. Бүйір қондыруының алдыңғы бөлігін бүйір қабырғасының қарама-қарсы бағытына қарай тарту арқылы шығарып алыңыз.
2. Бүйір қондыруын толықтай өзіңізге қарай тарту арқылы шығарып алыңыз.



Каталитикалы қабырғалар

(Бұл мүмкіндік қосымша. Ол өнімде болмауы мүмкін.)

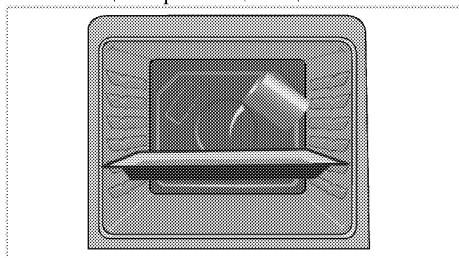
Өнімнің ішкі жақ қабырғаларына (А) және/немесе артқы қабырғасына (В) каталитикалық эмаль жағылуы мүмкін. Каталитикалық қабырғалар түсі ашық күңгірт және беті кеуекті. Пештің каталитикалық қабырғалары тазаланбауы керек. Каталитикалық қабырғалардың кеуекті беттері төгілген майды сіңіру және ауыстыру арқылы автоматты түрде тазаланады (бу және көмір қышқылы).



Бумен оңай тазалау

Ол оңай тазалауға көмектеседі, себебі кір (күп күтгірмей) пеш ішінде қалыптасатын бумен және пештің ішкі бетінде конденсацияланатын су тамшыларымен жұмсарады.

1. Пеш ішіндегі бүкіл қосалқы құралдарды алыңыз.
2. Пеш науасына 500 мл су құйып, науаны пештің 2-сәресіне қойыңыз.



3. Жеңіл бу тазалау режимінде Пешті орнатыңыз және 25 минут бойы 100°C кезінде іске қосыңыз.
4. Есігін ашып, пештің ішкі бетін дымқыл губкамен немесе шүберекпен сүргіңіз.
5. Кетуі қиын кірді тазалау үшін, құрылғыны тазалауға жуу сұйықтығымен жылы су, жұмсақ мата пайдаланыңыз және құрғақ шүберекпен сүргіңіз.

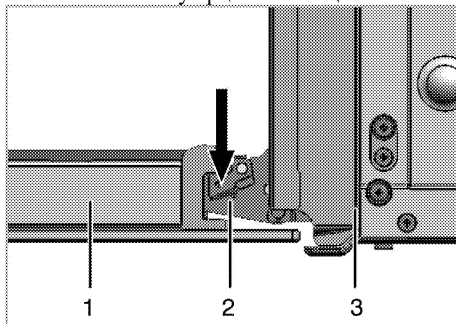
Пеш есегін тазалау

Пеш есігін тазалау үшін, құрылғыны тазалауға жуу сұйықтығымен жылы су, жұмсақ мата пайдаланыңыз және құрғақ шүберекпен сүргіңіз.

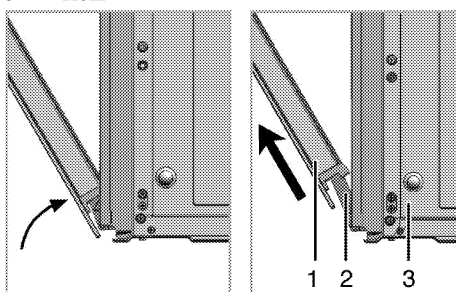
i Пеш есегін тазалау үшін қатты сызғыш тазалғыштар мен өткір металды қырғыштарды пайдаланбаңыз. Олар бетіне сызаттар қалдырып, шыныны құртады.

Пеш есігін алу

1. Алдыңғы есігін ашыңыз (1).
2. Алдыңғы есіктің оң жақ және сол жақтағы ілгек саңылауларындағы (2) қысқыштарды суретте көрсетілген бойынша басу арқылы ашыңыз.



- 1 Алдыңғы есік
- 2 Қысқыш
- 3 Пеш

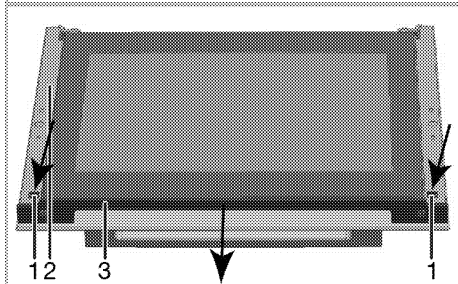
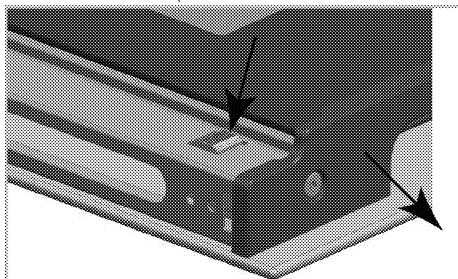


3. Алдыңғы есікті жартылай жылжытыңыз.
4. Алдыңғы есікті оң және сол жақтағы ілгектерден босату үшін жоғары қарай тартыңыз.

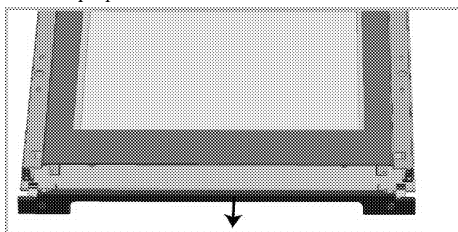
i Есікті орнату үшін есікті шығару кезінде орындалған қадамдар кері ретпен орындалуы қажет. Есікті қайта орнату кезінде ілгек саңылауларындағы қысқыштарды жабуды ұмытпаңыз.

Есіктің ішкі әйнегін шығарып алу (Бұл мүмкіндік қосымша. Ол өнімде болмауы мүмкін.)

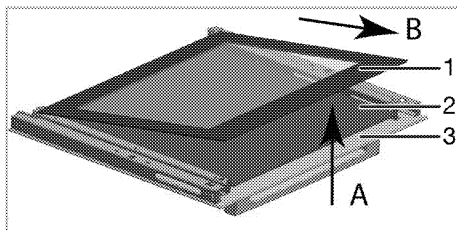
Пеш есігінің ішкі әйнек тақтасын тазалау үшін шығарып алуға болады. Пеш есігін ашыңыз.



- 1 Қойынды
- 2 Жақтау
- 3 Профиль



Жоғарыдағы суреттерде көрсетілгендей, алдыңғы есіктің үстіңгі жағына тіркелген профильді алу үшін қойындыларды (1) басып, профильді (3) өзіңізге тартыңыз.

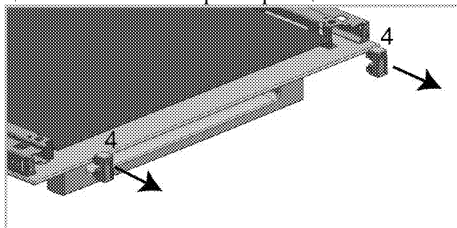


- 1 Ең ішкі әйнек тақтасы
- 2 Ішкі әйнек тақтасы*
- 3 Сыртқы әйнек тақтасы
- * (Ол өнімде болмауы мүмкін.)

Суретте көрсетілгендей, ең ішкі әйнек тақтасын (1) абайлап А бағытында көтеріп, оны В бағытында шығарып алыңыз.

Егер өніміңіз ішкі әйнек тақтасымен жабдықталса;

Суретте көрсетілгендей, әйнек тақталардан шешу үшін ортадағы әйнек ұстағыштың қосылыс элементтерін тартыңыз.



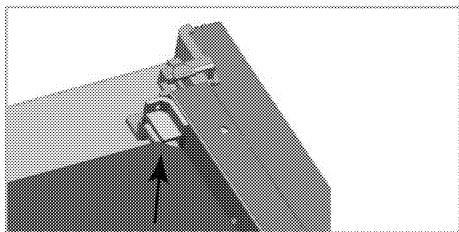
- 4 Әйнек ұстағыштың қосылыс элементі*
- * (Ол өнімде болмауы мүмкін.)

Осы әрекетті ішкі әйнек тақтасын (2) шығарып алу үшін де қайталаңыз. Есікті қайта топтауға арналған бірінші қадам ішкі әйнек тақтасын (2) қайта орнату болып табылады.

Суретте көрсетілгендей, әйнек тақтасын пластик тілімге салынатындай етіп орналастырыңыз.



Болмаса, әйнек тақтасы толығымен орнатылмайды және діріл және үзіліс жағдайы орын алуы мүмкін.



Ең ішкі әйнек тақтасын орнату кезінде (1), тақтаның баспаланған жағы ішкі әйнек тақтасына қарап тұрғанын тексеріңіз. Ең ішкі әйнек тақтасының төменгі бұрыштары пластик тілімдерге орнатылуы керек.



Болмаса, әйнек тақтасы толығымен орнатылмайды және діріл және үзіліс жағдайы орын алуы мүмкін.

Әйнек ұстағыштың қосылыс бөлшектерін тілімдеріне салуды есте сақтаныз. Ақырында, тілімдеріне қайта орнату үшін профиль қойындыларын басыңыз.

Пеш шамын ауыстыру



ҚАУШПІ:

Пеш шамын ауыстырудан бұрын, электр тоғының соғуын болдырмау үшін құрылғы қуат жүйесінен ажыратылғанына және суытылғанына көз жеткізіңіз.

Ыстық беттер жануға алып келеді!



Пеш шамы - 300 °C градусқа төзімді аранайы электр шамы. Толық мәліметтер алу үшін *Техникалық сипаттамалары*, Бет 14 бөлімін қараңыз. Пеш шамдарын Уәкілетті қызмет көрсету орталығынан алуға болады.



Шам орны суретте көрсетілген орнынан өзгеше болуы мүмкін.



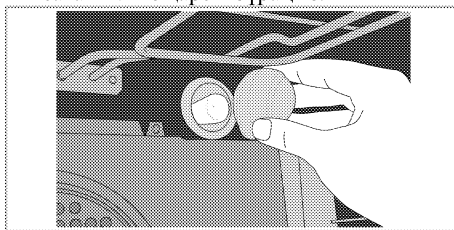
Осы құрылғыда пайдаланылатын шам үй бөлмесін жарықтандыруға үйлесімсіз. Осы шамның арнайы мақсаты – пайдаланушының тағам түрлерін көруіне көмектесу.



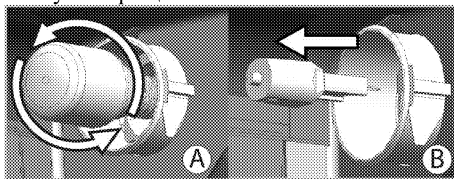
Осы құрылғыда пайдаланылатын шамдар 50°C көрсеткішінен жоғары температура сияқты физикалық жағдайлар тудыруы мүмкін.

Егер пеш дөңгелек шаммен жабдықталған болса:

1. Құрылғыны қуатты жабдықтау құралынан ажыратыңыз.
2. Шыны жапқышын шығару үшін, оны сағат тіліне қарсы бұраңыз.



3. Егер пеш шамы төмендегі суретте көрсетілгендей (А) түрінде болса, оны көрсетілгендей бұрап алып ауыстырыңыз. Егер ол (В) түрінде болса, оны төмендегі суретте көрсетілгендей тартып алып ауыстырыңыз.



4. Шыны жапқышын орнатыңыз.

8 Ақаулықтарды іздеу және жою

Пеш іске қосұлы кезінде бу шығады..

- Жұмыс кезінде будың шығуы әдеттегі жағдай болып табылады. >>> *Бұл ақаулық емес.*

Ысығу мен салқындату кезінде құрылғы металдардың дыбыстарын шығарады.

- Метал бөліктері қызған кезде кеңейіп, дыбыстар шығарады. >>> *Бұл ақаулық емес.*

Құрылғы істемейді.

- Балқығыш тежегіштің ақаулығы бар немесе қосылған. >>> *Тежегіш қоратшасындағы тежегіштерді тексеріңіз. Қажет болса, оларды ауыстырыңыз немесе қосыңыз.*
- Құрылғы ашасы (жерге тұтықталған) розеткаға қосылмаған. >>> *Штепсельдің айырын тексеріңіз.*

Пеш шамы істемейді.

- Пеш шамының ақаулығы бар. >>> *Пеш шамын ауыстырыңыз.*
- Электр қуаты жоқ. >>> *Электр қуатының бар-жоғын тексеріңіз. Тежегіш қоратшасындағы тежегіштерді тексеріңіз. Қажет болса, оларды ауыстырыңыз немесе қосыңыз.*

Пеш қызбайды.

- Функциясы және/ немесе температурасы орнатылмаған. >>> *Функция мен температураны Функция және/немесе температура тұтқышы/түймешігімен орнатыңыз.*
- Электр қуаты жоқ. >>> *Электр қуатының бар-жоғын тексеріңіз. Тежегіш қоратшасындағы тежегіштерді тексеріңіз. Қажет болса, оларды ауыстырыңыз немесе қосыңыз.*

Жағу кезінде от шықпайды.

- Ток жоқ. >>> *Тежегіш қоратшасындағы тежегіштерді тексеріңіз.*

Газ келмей тұр.

- Басты газ шүмегі жабық. >>> *Газ шүмегін ашыңыз.*
- Газ түтікшесі бұралып қалған. >>> *Газ түтікшесін дұрыстап орнатыңыз.*

Жанарғылар дұрыс жанбайды немесе тіпті жанбайды.

- Жанарғылар ластанып қалған. >>> *Жанарғы бөліктерін тазалыңыз.*
- Жанарғылар дымқылданып қалған. >>> *Жанарғы бөліктерін кептіріңіз.*
- Жанарғы қақпағы дұрыс орнатылмаған. >>> *Жанарғы қақпағын дұрыс орнатыңыз.*
- Газ шүмегі жабық. >>> *Газ шүмегін ашыңыз.*
- Газ баллоны бос (сұйытылған газ қолданғанда). >>> *Газ баллонын ауыстырыңыз.*



Осы бөлімде келтірілген нұсқауларды орындасаңызда ақаулықтарды жою алмасаңыз, Уәкілетті қызмет көрсету орталығымен немесе құрылғыны сатып алған сату орталығымен хабарласыңыз. Ақаулығы бар құрылғыны өзіңіз жөндемеңіз.

