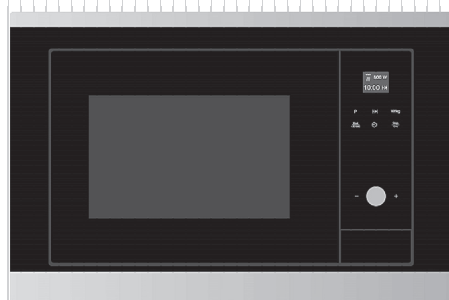


TECHNICAL PASSPORT

ПАСПОРТ ТЕХНИЧЕСКОГО ИЗДЕЛИЯ



HMW 655 X

MICROWAVES

МИКРОВОЛНОВЫЕ ПЕЧИ

KUPPERSBERG

Microwave HMW 655 X

**CONTENTS**

INFORMATION FOR BUYERS.....	3
SAFETY INFORMATION	3
SAFETY INSTRUCTIONS.....	5
ENVIRONMENTAL PROTECTION	7
DESCRIPTION OF MICROWAVE OVEN.....	8
BASIC SETTINGS.....	10
BASIC FUNCTIONS	10
SPECIAL FUNCTIONS.....	13
WHEN THE MICROWAVE OVEN IS WORKING.....	14
WHICH OVENWARE CAN BE USED?	15
MICROWAVE FUNCTION	15
GRILL FUNCTION.....	15
COMBINED FUNCTIONS	16
ALUMINIUM CONTAINERS AND FOIL.....	16
COVERS.....	16
OVENWARE TABLE	17
CLEANING AND MAINTENANCE	18
TROUBLESHOOTING	19
TECHNICAL CHARACTERISTICS	20
INSTALLATION INSTRUCTIONS.....	20
INSTALLATION OF MICROWAVE OVEN	22



1. INFORMATION FOR BUYERS

Dear Buyer!

Thank you for purchasing this microwave oven!

Please, read this user manual carefully as this will help you to achieve the highest efficiency during operation of your appliance.

KEEP THIS DOCUMENT AND REFER TO IT FOR NECESSARY INFORMATION.

Keep this user manual in an easily accessible place. In case of giving this appliance to other persons, do not forget to give this user manual too.

A copy of this user manual is also available at www.kuppersberg.ru website.

Before installation and operation of this appliance read the attached user manual carefully. Manufacturer bears no responsibility for injuries and damages suffered/caused by improper installation and operation. Make sure that you have this user manual at your hand during the whole service life of appliance.



CHILDREN AND IMPAIRED PERSONS SAFETY

➔ **ATTENTION!** There is a hazard of smothering, injuring or permanent disability.

➔ This appliance can be operated by children aged 8 years and older, as well as by physically, sensory or mentally impaired individuals or people having insufficient experience and skills only under supervision of a person being responsible for their safety.

➔ Do not allow children playing with the appliance.

➔ Keep all packing materials beyond the children's reach.

➔ **ATTENTION:** Keep children and domestic animals away from the appliance, when it is working or cooling down. Touchable parts of the appliance retain high temperature.

➔ If your appliance has "Child Proof" function, we recommend to start this function.

➔ Cleaning and simple maintenance available for users should not be done by children without adults' supervision.



GENERAL SAFETY PRECAUTIONS

This appliance is intended for domestic and similar to it applications, such as:

- ⇒ in kitchen-like rooms being used by service personnel at shops, offices and other premises;
- ⇒ in village households;
- ⇒ in hotels, motels and other similar accommodations;
- ⇒ in bed-and-breakfast guesthouses

Microwave HMW 655 X

➤ When appliance is in service, its internal chamber is running hot. Do not touch heating elements inside the appliance. In the course of placing ovenware or accessories inside the oven or taking them out of it, always use oven mittens.

➤ **ATTENTION:** Do not heat liquids and other foodstuff in sealed containers. They may explode.

➤ **ATTENTION:** Do not heat liquids and other foodstuff in sealed containers. They may explode.

➤ Use only appropriate ovenware, which is suitable for use with microwave oven.

➤ When heating foodstuff in plastic or paper containers, do not leave your appliance unattended as a fire may occur.

➤ This appliance is intended for heating up foodstuff and beverages. Drying of foodstuff and clothes, warm up of hot-water bags, slippers, sponges, damp clothes, etc. bear the risk of injuries, inflammation or fire.

Warning! It is prohibited to use your microwave oven in case:

- ⇒ Door is not closing properly;
- ⇒ Door hinges are damaged;
- ⇒ Contact surface between the door and the front part of the oven is damaged;
- ⇒ Door glass is damaged;

➤ Electric arc may frequently develop inside the microwave oven without any metal objects in it.

Microwave oven can only be put into use over again after the Technical Service Center specialist has repaired it.

➤ If smoke appears, then switch your appliance off or unplug it from the main socket and do not open oven door to prevent ingress of air towards ignition source.

➤ Heating of beverages in microwave oven may lead to boiling retardation. It is crucial to take container out with necessary care.

➤ Contents of nursery bottles and jars should be shaken or stirred and its temperature shall be checked before use to avoid injuries.

➤ It is not recommended to heat eggs using this appliance, both shelled and hard-boiled, as they may burst out even after finishing of microwave heating.

INSTALLATION

➤ It is necessary to provide for a special device within the electric wiring, which will disconnect your appliance from the mains over all poles via contacts release by at least 3mm.

➤ Such suitable devices can be, for example, in-line fuse switches, fuses (screw fuses should be unscrewed from their sockets), pulse frequency switches and contactors.

➔ Installed appliances must ensure protection from accident contacting with electrical conductors.

➔ **ATTENTION:** Appliance must be earthed.

CLEANING

➔ Appliance should be regularly cleaned, particularly from any remaining food debris.

➔ Failure to maintain the appliance clean may result in damaging its surfaces, which, in turn, may negatively affect the service life of appliance and even lead to accident.

➔ Do not use rough abrasive cleaning agents or metal brushes for cleaning door glass as they can abrade its surface and the glass may finally split.

➔ Do not use steam cleaning machines for cleaning appliance.

➔ Contact surfaces of the door (front part of internal chamber and door's inner face) must be kept clean to ensure correct operation of microwave oven.

➔ Please, follow cleaning instructions, which are specified in Cleaning and Maintenance section.

REPAIR

➔ **ATTENTION:** Before cleaning and maintenance unplug appliance from the main socket.

➔ **ATTENTION:** All appliance maintenance and repair operations, during which removal of microwave radiation protection enclosure is required, must be executed by a qualified specialist only.

➔ **ATTENTION:** If door or door seal is damaged, appliance cannot be used until it is repaired by a qualified specialist.

➔ In case of power cable damage, it must be replaced by Manufacturer, authorized service center or a specialist with relevant qualification, to avoid any accidents.

➔ Repair and maintenance, particularly concerning conducting parts, can only be performed by a specialist being authorized by Manufacturer.



SAFETY INSTRUCTIONS

➔ **Warning!** It is prohibited to heat pure alcohol or alcoholic drinks in microwave oven. FIRE HAZARD!

➔ **Caution!** To avoid overheating or burning of foodstuff, it is crucial to avoid continuous operation or high power levels, which are too excessive for heating small courses.

Microwave HMW 655 X

For example, baked roll can burn in 3 minutes if the high power level is selected.

➔ For cooking toasts use Grill function only and control your oven all over the time. If you use Combined Function for cooking toasts, they will burn in a very short period of time.

➔ Make sure that power cables and other electrical appliances do not touch the hot door and are not inside the oven. Cable insulation can be damaged because of this.

➔ **Short circuit hazard!**



➔ **Exercise caution during heating of liquids!**

➔ Liquids (water, coffee, tea, milk, etc.) actually reach boiling temperature in the oven; if they are taken out of the oven immediately, they may slop over their containers.

➔ **INJURIES AND BURNS HAZARD!**

➔ To avoid such occasions during heating of liquids, place a teaspoon or a glass stick into container.

➔ To avoid damaging of oven or other hazards, please, follow below instructions:

➔ Do not switch appliance on if the holder, turntable support and turntable itself are not in their corresponding places.

➔ Never switch your microwave oven on when it is empty. If there is no food in the oven, electric overcharge may occur followed by damaging of microwave oven. **APPLIANCE DAMAGE HAZARD!**

➔ To test microwave oven programs, place a glass of water into the oven. Water absorbs microwaves and your microwave oven will not be damaged.

➔ It is prohibited to close or block the vents

➔ Use only appropriate ovenware with your microwave oven. Before starting using ovenware, make sure it is suitable for these purposes (see ovenware related section below).

➔ Never remove upper mica cover from the oven chamber! This cover protects microwave oscillator from fat and food particles.

➔ Do not store flammable substances in the oven as they may inflame after switching the oven on.

➔ Do not use oven as foodstuff storage.

➔ Do not use oven for frying, because it is impossible to control the temperature of oil under microwave exposure.

➔ Do not lean on the opened oven door and do not sit on it. This may lead to damaging of your oven, particularly in the hinge area. The door can hold the maximum weight of 8kg.

➔ Ceramic base in the internal chamber can hold the maximum weight of 8kg. Do not overweight your oven to keep it undamaged.

Disposal of used electrical appliances



In accordance with the requirements of European Directive 2002/96/EC for disposal of Waste Electrical and Electronic Equipment (WEEE), it is necessary to avoid disposing used electrical appliances together with usual solid domestic waste.

Used appliances must be collected separately in order to optimize their disposal and processing of their materials, as well as to reduce negative impacts on human health and environment. Image of the crossed waste container must be on all appliances as a reminder of separate collection of waste during their disposal.

Consumers shall contact their local authorities or their seller for information about correct disposal of used electrical appliances.

Prior to disposing your appliance, remove the power cable and dispose it.

ENVIRONMENTAL PROTECTION



Disposal of packing



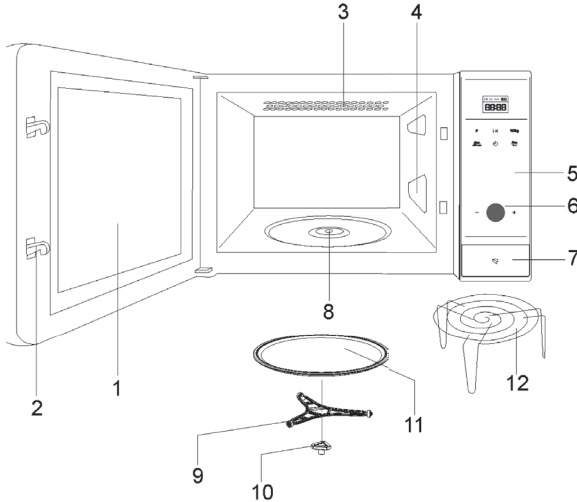
Packing bears Green Dot sign.

For disposal of any packing materials, such as cardboard, foam polystyrene and plastic film use appropriate waste containers. This will guarantee that such packing materials will be recycled.

Microwave HMW 655 X



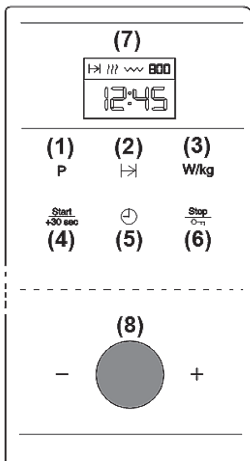
DESCRIPTION OF MICROWAVE OVEN



- 1. Door glass
- 2. Locks
- 3. Quartz grill
- 4. Mica covers
- 5. Control panel
- 6. Rotating knob
- 7. Door opening button
- 8. Place for rotating base
- 9. Rotating base
- 10. Turntable support
- 11. Turntable
- 12. Grill









Control Panel

Fig. 1



- 1 **P** Program button
- 2 **⏪** Duration button
- 3 **W/kg** Power/Weight button
- 4 **Start +30 sec** Start button
- 5 **🕒** Clock button
- 6 **Stop** Stop/Safety Block button
- 7 **12:45** Display
- 8 **- ● +** Rotating knob

Description of Functions

Symbol	Description	Power	Food
	Microwave Oven	160W	Slow defrosting for delicate foodstuff. Keeping food hot
		320W	Cooking over moderate heat. Boiling rice. Fast defrosting
		480W	Melting butter. Heating of baby food
		640W	Cooking vegetables and foodstuff. Careful cooking and heating of food. Heating and cooking small courses. Heating of delicate foodstuff
		800W	Fast cooking and heating of liquids and other foodstuff
	Microwave Oven + Grill	95W	Roast foodstuff
		135W	Roast poultry and meat
		170W	Baking pies and breaded courses
		200W	Cooking bone-in meat
		230W	Potatoes with grated cheese
	Grill	---	Cooking food on grill
	Defrosting	---	Defrosting by time
			---
	Automatic Cooking	---	Boiled potatoes
		---	Fritters and Stews
		---	Mashed potatoes

Microwave HMW 655 X

**BASIC SETTINGS****CLOCK SETTINGS****(See Fig.1)**

1. Press CLOCK button (5) until hour characters start flashing.
2. Adjust hours by turning ROTATING KNOB (8) in either direction.
3. Press CLOCK button (5) again to setup minutes.
4. Adjust minutes by turning ROTATING KNOB (8) in either direction.
5. Press CLOCK button (5) one more time to finish setup.

SAFETY BLOCKING**(See Fig.1)**


You can block your microwave oven operation (e.g. operation by children).

1. Press STOP/SAFETY BLOCK BUTTON (6) for 3 seconds. Microwave oven will make a beep sound and appliance will be blocked. Four lines will appear on display and microwave oven operation will be blocked.
2. Clock will still be displayed and the Safety Block indicator will be shown on DISPLAY (7).
3. To unblock microwave oven press STOP/SAFETY BLOCK BUTTON (6) for 3 seconds.

Microwave oven will make a beep sound and the clock will become active on display.

**BASIC FUNCTIONS****MICROWAVES****(See Fig.1)**

1. Press "P" PROGRAM BUTTON (1).

MICROWAVE OVEN mode indicator  will appear on DISPLAY (7). Confirm selection of the function by pressing "P" PROGRAM BUTTON (1) one more time.

2. Press DURATION BUTTON (2). Adjust required time of operation by turning ROTATING KNOB (8) in either direction. Confirm your selection by pressing DURATION BUTTON (2) one more time.

3. To change power level of your microwave oven press POWER/WEIGHT BUTTON (3) (if you do not press this button, your appliance will work at the maximum power level). Adjust required power level by turning ROTATING KNOB (8) in either direction. Confirm your selection by pressing POWER/WEIGHT BUTTON (3) one more time.

4. Press START BUTTON (4). Microwave oven will start working.

MICROWAVE HEATING – FAST HEATING-UP**(See Fig. 1)**

1. Press START BUTTON (4) in a standby mode.


Microwave oven switches to microwave mode and works for 30 seconds at the maximum power level.

2. If you want to increase operation cycle of your microwave oven, then press START BUTTON (4) one more time. Every time you press this button (4), operation cycle of your microwave oven is increased by 30 seconds.

GRILL

(See Fig. 1)

1. Press “P” PROGRAM BUTTON

(1). Select GRILL function  by turning ROTATING KNOB (8) in either direction. Confirm selection of the function by pressing “P” PROGRAM BUTTON (1) one more time.


2. Press DURATION BUTTON (2). Adjust required time of operation by turning ROTATING KNOB (8) in either direction. Confirm your selection by pressing DURATION BUTTON (2) one more time.

3. Press START BUTTON (4). Microwave oven will start working.

MICROWAVES + GRILL

(See Fig. 1)

1. Press “P” PROGRAM BUTTON (1). Select MICROWAVES + GRILL function

 by turning ROTATING KNOB (8) in either direction.

Confirm selection of the function by pressing “P” PROGRAM BUTTON (1) one more time.

2. Press DURATION BUTTON (2). Adjust required time of operation by turning ROTATING KNOB (8) in either direction. Confirm your selection by pressing DURATION BUTTON (2) one more time.


3. To change power level of your microwave oven press POWER/WEIGHT BUTTON (3) (if you do not press this button, your appliance will work at the maximum power level). Adjust required power level by turning ROTATING KNOB (8) in either direction. Confirm your selection by pressing POWER/WEIGHT BUTTON (3) one more time.

4. Press START BUTTON (4). Microwave oven will start working.

DEFROSTING BY WEIGHT (AUTOMATIC)

(See Fig. 1)

1. Press “P” PROGRAM BUTTON (1). Select DEFROSTING BY WEIGHT

function  by turning ROTATING KNOB (8) in either direction. Confirm selection of the function by pressing “P” PROGRAM BUTTON (1) one more time.

2. “P01” program indicator flashes (by default). Select type of food (program) by turning ROTATING KNOB (8) in either direction (see the table below) (if you omit to

Microwave HMW 655 X

turn ROTATING KNOB, then “P01” program will be selected by default). Confirm your selection by pressing POWER/WEIGHT BUTTON (3).

3. You will see the weight value flashing on display (e.g., “0.1” by default) and the weight indicator – “kg”. Adjust required weight of foodstuff (e.g. “1.2 kg”) by turning ROTATING KNOB (8) in either direction. Confirm your selection by pressing POWER/WEIGHT BUTTON (3). Indicator of the previously selected program (e.g. “P01”) starts flashing again.

4. Press START BUTTON (4). Microwave oven will start working.


5. When microwave oven makes a beep sound and “TURN” word starts flashing on DISPLAY (7), turn the food. Close the door and press START BUTTON (4) again.

In the following table, there are the programmed functions of defrosting by weight with weight, time and exposure ranges specified (so that the food acquires uniform temperature).

Program	Food	Weight (kg)	Time (min)	Time exposure of (min)
P0 1	Meat	0.1 – 2.5kg	3min – 1 h 15min	20 – 30
P0 2	Poultry	0.1 – 2.5kg	3min – 1h 15min	20 – 30
P0 3	Fish	0.1 – 2.5kg	3.20 min – 1h 23min	20 – 30
P0 4	Fruit	0.1 – 1.0kg	2.36min – 26min	5 – 10
P0 5	Bread	0.1 – 1.5kg	2.25min – 36.15min	5 – 10

DEFROSTING BY TIME (MANUAL SETUP)

(See Fig. 1)

1. Press “P” PROGRAM BUTTON (1). Select DEFROSTING BY TIME function  by turning ROTATING KNOB (8) in either direction. Confirm selection of the function by pressing “P” PROGRAM BUTTON (1) one more time.

2. Press DURATION BUTTON (2). Adjust required time of operation by turning ROTATING KNOB (8) in either direction. Confirm your selection by pressing DURATION BUTTON (2) one more time.

3. Press START BUTTON (4). Microwave oven will start working.

4. When microwave oven stops working and makes a beep sound, move or turn the food over. To resume the cycle, close microwave oven door and press START BUTTON (4), then defrosting will continue.

SPECIAL FUNCTIONS

Special Function: Auto 1 (Cooking 500g of potatoes)

(See Fig. 1)

1. Put potatoes (about 500 g) and some water into heat-resistant container and place it on the turntable in microwave oven.

2. Press “P” PROGRAM BUTTON (1). Select “AUTO 1” function by turning ROTATING KNOB (8) in either direction. Confirm selection of the function by pressing “P” PROGRAM BUTTON (1) one more time.

3. Press START BUTTON (4). Microwave oven will start working while the remaining time will be shown on display.

Special Function: Auto 2

(Slow-Cooked/Stewed courses)

(See Fig. 1)

1. Put ingredients to be slow-cooked/stewed (e.g. cabbage, chicken, etc.) into some bowl, cover the bowl and place it on the turntable in microwave oven.

2. Press “P” PROGRAM BUTTON (1). Select “AUTO 2” function by turning ROTATING KNOB (8) in either direction.

Confirm selection of the function by pressing “P” PROGRAM BUTTON (1) one more time.

3. Press START BUTTON (4). Microwave oven will start working while the remaining time will be shown on display.

4. When microwave oven makes a beep sound and “TURN” word starts flashing on DISPLAY (7), turn the food. Close the door and press START BUTTON (4) again.

Special Function: Auto 3

(Mashed potatoes)

(See Fig. 1)

1. Prepare mashed potatoes out of 1kg of raw potatoes. Put these mashed potatoes into corresponding bowl (25-26cm in diameter) and then place it on the turntable in microwave oven.

2. Press “P” PROGRAM BUTTON (1). Select “AUTO 3” function by turning ROTATING KNOB (8) in either direction. Confirm selection of the function by pressing “P” PROGRAM BUTTON (1) one more time.

3. Press START BUTTON (4). Microwave oven will start working while the remaining time will be shown on display.

Memory Function

(See Fig. 1)

“MEM” function allows to save a number of frequently used parameters

Microwave HMW 655 X

(duration and power level) in the memory of your appliance. However, you can use this option only with the basic functions: Microwave oven, Grill and Microwave + Grill.

Saving Parameters in Memory:**(See Fig. 1)**

1. Press “P” PROGRAM BUTTON (1). Select the required function (e.g. MICROWAVE OVEN) by turning ROTATING KNOB (8) in either direction. Confirm selection of the function by pressing “P” PROGRAM BUTTON (1) one more time.

2. Adjust required parameters (duration and power level) as it is described in “Basic Functions” section.

3. Press “P” PROGRAM BUTTON (1) until you hear a beep sound and “MEM” word appears on DISPLAY (7).

Obtaining Memorized Parameters:**(See Fig. 1)**

1. Press “P” PROGRAM BUTTON (1). Select “MEM” function by turning ROTATING KNOB (8) in either direction. Confirm selection of the function by pressing “P” PROGRAM BUTTON (1) one more time.

2. Press START BUTTON (4). Microwave oven will start working.

Cleaning of Memory:**(See Fig. 1)**

1. Press “P” PROGRAM BUTTON (1). Select “MEM” function by turning ROTATING KNOB (8) in either direction. Confirm selection of the function by pressing “P” PROGRAM BUTTON (1) one more time.

2. Press STOP/SAFETY BLOCK BUTTON (6) until you hear a beep sound. Microwave oven then switches to standby mode.

**WHEN THE MICROWAVE OVEN IS WORKING...**

You can terminate cooking process at any time by pressing “Stop” button once or by opening the door:

➤ Irradiation of microwaves immediately stops.

➤ Grill switches off but is still very hot. Burns hazard!

➤ Timer stops and the remaining time of operation is shown on display.

Optionally, you can do the following at the moment:

1. Turn food over or stir it for smooth cooking.

2. Adjust microwave oven power settings by using “-” and “+” buttons.

3. Select another function by using function buttons.

4. Adjust remaining cooking time by using ROTATING KNOB.

To resume the process, close the door and press “Start” button.

Suspension of Cooking Cycle

You can suspend cooking process at any time by pressing “Stop” button one time or by opening the door.

If you want to cancel cooking process, then close the door over again and press “Stop” button. Microwave oven will let out a beep and the clock will appear on display.

End of Cooking Cycle

After finishing cooking process three beeps will sound, then “End” word will appear on display.

Beeps will repeat every 30 seconds until the door of the oven is opened or “Stop” button is pressed.



WHICH OVENWARE CAN BE USED?

Microwave Function

When using Microwave function, it is important to remember that microwaves are reflected from metal surfaces. Glass, porcelain, ceramics, plastic and paper let microwaves pass.

Consequently, **metal pans and kitchenware or containers with metal parts or decorations cannot be used with microwave oven.**

Glass and ceramic ware **with metal decorations or impurities** (e.g. lead glass) cannot be used with microwave oven either.

Ideal materials to be used when cooking with microwave oven are glass, heat-resistant porcelain or earthenware or heat-resistant plastic. Fine crystal-ware and porcelain may be used for a short period of time only (e.g. for heating food).

Hot food shares its warmth with the ware, which can become very hot. Therefore, always use oven mitten!

How to test the ware, which you want to use

Place your ware into the oven at the maximum power level for 20 seconds. If the ware is still cold or is moderately warm, then it can be applied. However, if it runs hot or cause electrical arc, then it cannot be applied.

Grill Function

To start with Grill function the ware must be resistant to temperatures of at least 300°C.

Plastic ware is not good for cooking in this mode of operation.

Microwave HMW 655 X**Combined functions**

To start with Microwave + Grill function, make sure the ovenware is suitable both for microwaves and grill.

Aluminium Containers and Foil

Convenience foods in aluminium containers or aluminium foil can be cooked in microwave oven if the following instructions are observed:

➔ Pay attention to Manufacturer's instructions printed out on the packing.

➔ Aluminium containers should be not higher than 3cm and must not contact internal chamber walls (minimum distance is 3cm). Aluminium covers should be removed.

➔ Place aluminium container directly over ceramic base. When using a grill this container must be put on the earthenware plate. Never put container directly on the grill!

➔ Cooking time will be longer as the microwaves enter food from above only. If you have any doubts, use nothing else but ovenware.

➔ Aluminium foil can be used for reflecting microwaves during defrosting. Delicate foodstuff, such as poultry or ground meat, may be protected from overheating by covering their appropriate areas.

➔ Important: Aluminium foil must not touch microwave walls as an electric arc may occur.

Covers

We recommend using glass or plastic covers or cling film due to the following reasons:

1. They prevent from excessive evaporation of liquids (especially during continuous cooking);
2. Process of cooking becomes faster;
3. Food does not dry out;
4. Flavor of food keeps preserved.

Cover should have holes to avoid any pressure. Plastic bags should also have holes. Nursery bottles and jars and other similar containers should be necessarily heated up without lids and covers as they can explode otherwise.

Ovenware Table

In the following table, there are some general recommendations on the type of ovenware being suitable for a particular operation.

Type of ovenware	Mode of operation	Microwaves		Grill	Microwaves + Grill
		Defrosting / Heating	Cooking		
Glass and porcelain 1) Dishware, heat-sensitive, washable in a dish-washing machine		Yes	Yes	No	No
Glazed porcelain Heat-resistant glass and porcelain		Yes	Yes	Yes	Yes
Porcelain, Stone 2) Glazed or unglazed, without metal decorations		Yes	Yes	No	No
Earthenware 2) Glazed Unglazed		Yes No	Yes No	No No	No No
Plastic ovenware 2) up to 100°C heat-resistant up to 250°C heat-resistant		Yes Yes	No Yes	No No	No No
Polyethylene film 3) Cling film Cellulose film		No Yes	No Yes	No No	No No
Paper, cardboard, parchment paper 4)		Yes	No	No	No
Metal Aluminium foil Aluminium containers 5) Accessories		Yes No Yes	No Yes Yes	Yes Yes Yes	No Yes Yes

1. Without golden and silver borders and lead glass.
2. Follow Manufacturer's instructions!
3. Do not use metal clips to seal bags. Make perforations in bags. Use film only to cover food.
4. Do not use paper plates.
5. Small aluminium containers without covers only. Aluminium must not touch internal chamber walls.

Microwave HMW 655 X

**CLEANING AND MAINTENANCE**

BEFORE CLEANING your microwave oven MAKE SURE THAT THE PLUG IS UNPLUGGED FROM THE MAIN SOCKET.

After using your microwave oven let it cool down. Do not clean the oven with abrasive cleaning agents, steel wool or sharp objects, which can scratch its surfaces.

External Surfaces:

1. Clean external surfaces using neutral detergent, warm water and wet cloth.
2. Prevent ingress of water through the external parts of appliance.

Internal Surfaces:

1. After each use of your oven wipe its internal walls with wet cloth.
2. Prevent ingress of water into microwave vents.
3. If much time has passed since the last cleaning and internal surfaces of the oven are heavily contaminated, put a glass of water on the turntable and switch microwave oven on at the maximum power level for 4 minutes. Generating vapor will soften contaminations, which can be then removed with a piece of soft cloth.

Important! Microwave oven should not be cleaned using steam cleaning machines. Steam flow can get on the parts under voltage and result in a short circuit.

The most contaminated stainless steel surfaces can be cleaned with nonabrasive detergents.

Then it is necessary to wash them with hot water and wipe dry.

4. Accessories should be cleaned after each use. If they are badly contaminated, then, first, wet them and clean by using brush and sponge. Accessories may be washed in a dishwashing machine. Keep an eye on turntable support and turntable itself to be always clean.

Door, Door Hinges and Oven's Front Face:

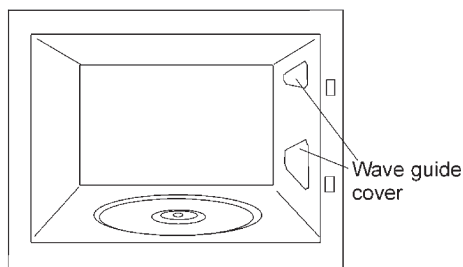
1. These parts must be always clean, particularly contact surfaces between the door and the front part of the oven, to avoid any leakage.

2. Use neutral detergent and warm water for cleaning. Clean them with soft cloth.

Mica Covers:

Keep mica covers always clean. Remaining food can deform them or lead to formation of sparks. Therefore, they must be cleaned on a regular basis.

However, it is prohibited to apply abrasive substances or sharp objects. Do not remove these covers for the avoidance of any risk.



Крышки волноводов

TROUBLESHOOTING

Microwave oven does not work properly:

➔ is the oven plugged into the main socket correctly?

➔ is the door closed completely? It should make a distinct “click” sound when it is closed.

➔ is there any foreign objects between the door and the front part of the microwave chamber?

Foodstuff is not heated up or it is, but very slowly:

➔ did you use metal ovenware?

➔ did you select the right operating time and power level?

➔ perhaps, you put the foodstuff of a bigger size into your oven or it was originally overcooled.

Foodstuff is overheated, overroasted or burnt:

➔ did you select the right operating time and power level?

There is a strange sound during oven operation:

➔ is electric arc generating in the oven?

➔ is ovenware contacting microwave chamber walls?

➔ is there any loose tableware or kitchenware in the oven?

Internal lighting does not work:

➔ if all functions work properly, then, perhaps, it is a burnt-out lamp. You can continue using your oven.

➔ faulty lamp should be replaced at the Technical Service Center only.

Power cable is damaged

➔ power cable must be replaced by Manufacturer, authorized agents or specialists being qualified for execution of these works, to avoid hazardous situations and taking into account availability of special tools.

Upon detection of any failures, contact Customer Service Center.

All repair works shall be carried out by the qualified personnel.

Microwave HMW 655 X

! TECHNICAL CHARACTERISTICS

Specifications

AC voltage	(See Nameplate)
Fuse	8 A / 250 V
Consumed Power	1200 W
Grill Power.....	1000 W
Microwave output power.....	800 W
Microwave frequency	2450 MHz
External dimensions (W x H x D).....	595 x 390 x 350 mm
Internal dimensions (W x H x D).....	305 x 210 x 305 mm
Microwave oven capacity.....	18 l
Weight.....	18.6 kg

! INSTALLATION INSTRUCTIONS

Press “Open” button to open the door and remove all packaging materials. Then clean internal surfaces and parts using wet cloth and dry them after that. Do not use abrasive materials or substances with long-lasting odors.

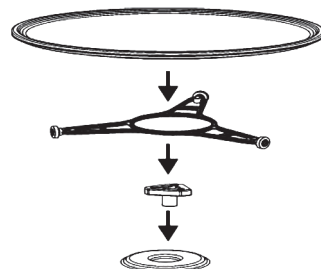
Make sure, that the following parts are in good condition:

- ➡ Door and hinges;
- ➡ Front panel of microwave oven;
- ➡ Both internal and external surfaces of microwave oven.

DO NOT USE MICROWAVE OVEN in case any defects of the above parts are found. In this situation, contact Technical Service Center.

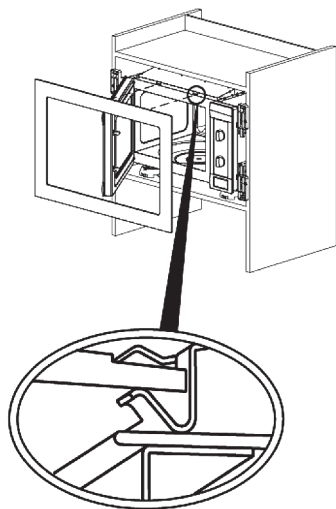
Put microwave oven over the flat and stable surface.

Install the turntable support into a hole in the center of the microwave chamber and put turntable over it so that it clicks into place. When operating your microwave oven make sure that the turntable support and turntable itself are inside the oven and correctly installed. Turntable can rotate both clockwise and counterclockwise.



Attention! Microwave oven may be wrapped with protection film. Before the first use of your oven, remove this film with due care, starting from the bottom.

To ensure sufficient ventilation of the appliance, install a frame in the right way. Please, refer to the following images:



Attention: After installation of microwave oven, it is necessary to plug it into the main socket.

During installation, make sure that the power cable does not touch the rear face of microwave oven, because the high temperature can damage the cable.

When installing microwave oven together with an ordinary oven in the same vertical space, the former should not be installed under the ordinary oven because of formation of condensate.

Microwave oven should not be close to heat sources, radio or TV receivers.

Microwave oven is equipped with the power cable and a plug for operation with the single-phase mains.

ATTENTION:

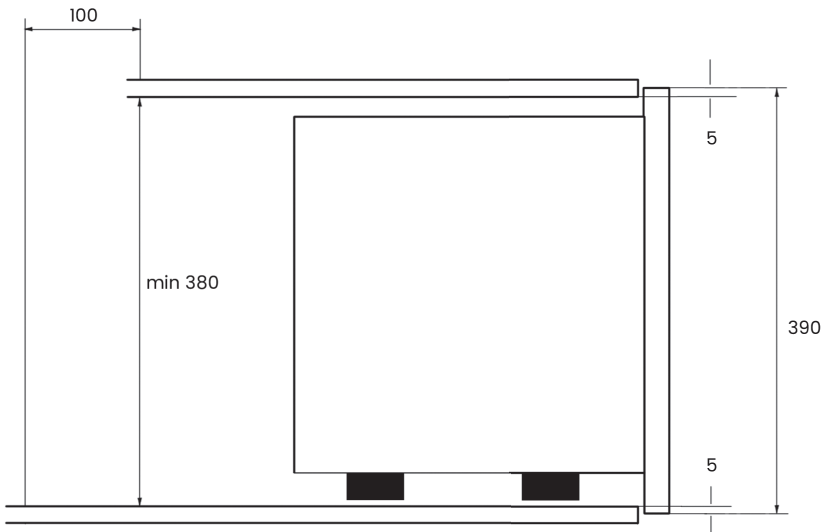
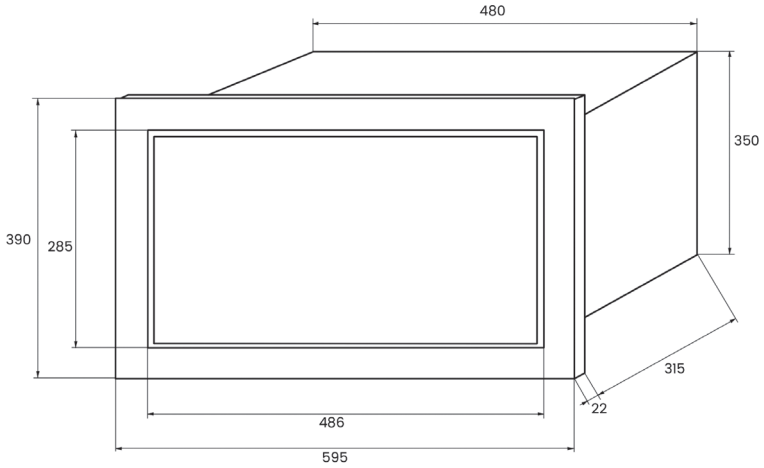
Microwave oven MUST BE PLUGGED INTO THE EARTHED MAIN SOCKETS ONLY.

In case of any breakdowns, both manufacturer and seller bear no responsibility subject to failure to obey installation instructions in full.

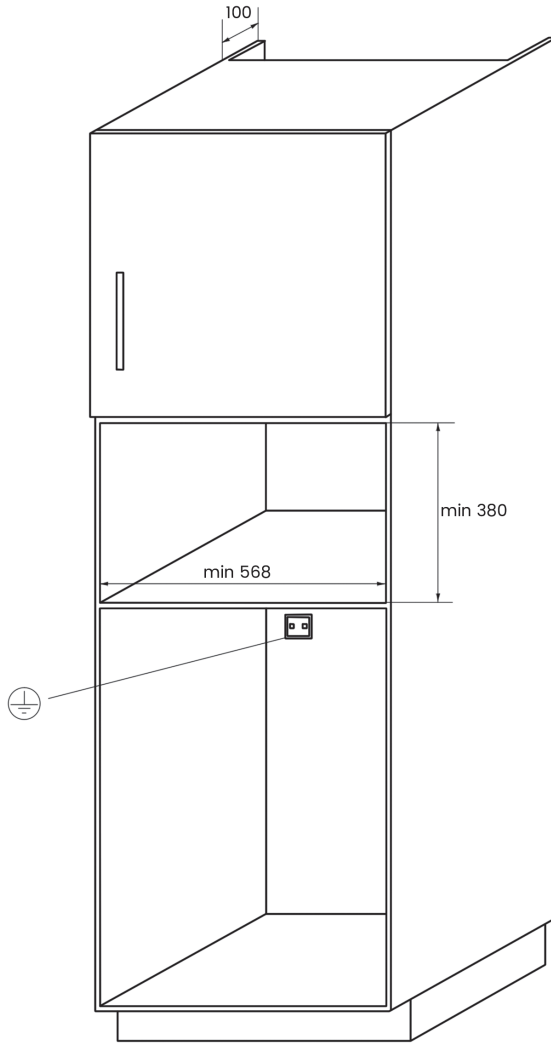
Microwave HMW 655 X




INSTALLATION OF MICROWAVE OVEN



Microwave HMW 655 X



Microwave HMW 655 X

Symbol of the Customs Union										
Country of Origin	Portugal									
Name of Manufacturer	Teka Portugal S.A.									
Manufacturer's Address	Estrada da Mota, Gafanha da Encarnacao, 3830-453 Ilhavo, Portugal									
Importer in Russia	ООО «Эм-Джи Русланд», 141400 г. Химки (Khimki), ул. Бутаково, д.4 (Russia)									
Importer's Address in Russia	ООО «Купперсберг-Импорт», 125438, г. Москва (Moscow), ул. Автомоторная, д. 7 (Russia)									
Product life	10 years									
Date of manufacture	Indicated on the Label with the Hood's Serial Number									
1	2	3	4	5	6	7	8	9	10	11
		Y	Y	M	D	S	S	S	S	S
		Year	Production Month	Production Day	Production Serial Number					

Designations for the month of production (5) are listed in the following table:

JAN	FEB	MAR	APR	MAY	JUN	JUL	AUG	SEP	OCT	NOV	DEC
1	2	3	4	5	6	7	8	9	A	B	C

Designations for the day of production (6) are listed in the following table:

Day 1=1	Day 2=2	Day 3=3	Day 4=4	Day 5=5	Day 6=6	Day 7=7
Day 8=8	Day 9=9	Day 10=A	Day 11=B	Day 12=C	Day 13=D	Day 14=E
Day 15=F	Day 16=G	Day 17=H	Day 18=J	Day 19=K	Day 20=L	Day 21=M
Day 22=N	Day 23=P	Day 24=Q	Day 25=R	Day 26=S	Day 27=T	Day 28=U
Day 29=V	Day 30=W	Day 31=X				

NOTES / ДЛЯ ЗАМЕТОК

Микроволновая печь НМW 655 X



СОДЕРЖАНИЕ

ОБРАЩЕНИЕ К ПОКУПАТЕЛЯМ	25
СВЕДЕНИЯ ПО ТЕХНИКЕ БЕЗОПАСНОСТИ.....	25
УКАЗАНИЯ ПО БЕЗОПАСНОСТИ	27
ЗАЩИТА ОКРУЖАЮЩЕЙ СРЕДЫ	29
ОПИСАНИЕ МИКРОВОЛНОВОЙ ПЕЧИ.....	30
ОСНОВНЫЕ НАСТРОЙКИ.....	32
ОСНОВНЫЕ ФУНКЦИИ.....	32
СПЕЦИАЛЬНЫЕ ФУНКЦИИ.....	35
ВО ВРЕМЯ РАБОТЫ МИКРОВОЛНОВОЙ ПЕЧИ	36
ТИП ЖАРОПРОЧНОЙ ПОСУДЫ ДЛЯ ИСПОЛЬЗОВАНИЯ.....	37
ФУНКЦИЯ МИКРОВОЛН	37
ФУНКЦИЯ ГРИЛЬ.....	37
КОМБИНИРОВАННЫЕ ФУНКЦИИ	38
АЛЮМИНИЕВЫЕ КОНТЕЙНЕРЫ И ФОЛЬГА	38
КРЫШКИ	38
ТАБЛИЦА ПОСУДЫ	39
ЧИСТКА И ОБСЛУЖИВАНИЕ	40
УСТРАНЕНИЕ ПРОБЛЕМ	41
ТЕХНИЧЕСКИЕ ХАРАКТЕРИСТИКИ.....	42
ИНСТРУКЦИИ ПО УСТАНОВКЕ	42
УСТАНОВКА МИКРОВОЛНОВОЙ ПЕЧИ	44



1. ОБРАЩЕНИЕ К ПОКУПАТЕЛЯМ

Уважаемый покупатель!

Благодарим Вас за приобретение микроволновой печи!

Пожалуйста, внимательно изучите данную инструкцию — это позволит Вам обеспечить максимальную эффективность при использовании прибора.

СОХРАНИТЕ ДАННЫЙ ДОКУМЕНТ И ОБРАЩАЙТЕСЬ К НЕМУ ПО МЕРЕ ВОЗНИКНОВЕНИЯ ВОПРОСОВ.

Держите данную инструкцию в доступном месте. В случае передачи данного прибора в пользование другим лицам также вместе с ним обязательно передавайте и эту инструкцию.

Копия данной инструкции по эксплуатации также может быть загружена на сайте www.kuppersberg.ru



Перед установкой и эксплуатацией прибора внимательно ознакомьтесь с приложенным руководством. Производитель не несет ответственность за травмы и повреждения, полученные/вызванные неправильной установкой и эксплуатацией. Позаботьтесь о том, чтобы данное руководство было у Вас под рукой на протяжении всего срока службы прибора.



БЕЗОПАСНОСТЬ ДЕТЕЙ И ЛИЦ С ОГРАНИЧЕННЫМИ ВОЗМОЖНОСТЯМИ

⇒ **ВНИМАНИЕ!** Существует риск удушья, получения травм или стойких нарушений нетрудоспособности

⇒ Данный прибор может эксплуатироваться детьми старше 8 лет и лицами с ограниченными физическими, сенсорными или умственными способностями или с недостаточным опытом или знаниями только при условии нахождения под присмотром лица, отвечающего за их безопасность.

⇒ Не позволяйте детям играть с прибором.

⇒ Храните все упаковочные материалы вне досягаемости детей.

⇒ **ВНИМАНИЕ:** Не подпускайте детей и домашних животных к прибору, когда он работает или остывает. Доступные для контакта части прибора сохраняют высокую температуру.

⇒ Если прибор оснащен функцией «Защита от детей», рекомендуется включить эту функцию.

⇒ Очистка и доступное пользователю техническое обслуживание не должно производиться детьми без присмотра.

ОБЩИЕ ПРАВИЛА ТЕХНИКИ БЕЗОПАСНОСТИ



Прибор предназначен для бытового и аналогичного применения, например:

⇒ в помещениях, служащих кухнями для обслуживающего персонала в магазинах, офисах и на других рабочих местах;

⇒ в сельских жилых домах;

⇒ для использования клиентами отелей, мотелей и других мест проживания;

⇒

Микроволновая печь HMW 655 X

⇒ Во время работы прибора его внутренняя камера сильно нагревается. Не прикасайтесь к нагревательным элементам внутри прибора. Помещая в прибор или извлекая из него посуду или аксессуары, всегда используйте кухонные рукавицы.

⇒ **ВНИМАНИЕ:** Не нагревайте жидкости и другие продукты в герметичных контейнерах. Они могут взорваться.

⇒ Используйте только ту посуду, которая подходит для использования в микроволновой печи.

⇒ При нагреве продуктов в пластиковых или бумажных контейнерах не оставляйте прибор без присмотра: может произойти возгорание.

⇒ Прибор предназначен для нагревания продуктов и напитков. Подсушивание продуктов, сушка одежды, разогрев грелок, шлепанцев, губок, влажной одежды и т.п. несет в себе риск травм, возгорания или пожара.

Предостережение! Запрещается пользоваться печью, если:

⇒ Дверца не закрыта должным образом;

⇒ Петли дверцы повреждены;

⇒ Контактная поверхность между дверцей и передней частью печи повреждена;

⇒ Смотровое стекло дверцы повреждено;

⇒ Внутри микроволновой печи часто возникает электрическая

дуга при отсутствии каких-либо металлических предметов.

Печь может быть вновь использована только после того, как ее ремонт будет выполнен специалистом Службы технической поддержки.

⇒ При появлении дыма выключите прибор или извлеките вилку сетевого шнура из розетки и не открывайте дверцу, чтобы не допустить приток воздуха к источнику возгорания.

⇒ Разогревание в микроволновой печи напитков может привести к задержанному бурному вскипанию. Следует проявлять осторожность при извлечении контейнера.

⇒ Содержимое бутылочек и баночек с детским питанием необходимо перемешать или взболтать и проверить температуру перед употреблением, чтобы избежать ожогов.

⇒ Не следует нагревать в приборе как яйца в скорлупе, так и яйца, сваренные вкрутую, так как они могут взорваться даже после завершения нагрева при помощи СВЧ.

УСТАНОВКА

⇒ В электропроводке необходимо предусмотреть специальное устройство, позволяющее отключать прибор от сети по всем полюсам на ширину размыкания.

⇒ Контакт не менее 3 мм. Подходящими устройствами для этой цели считаются, например, выключатель линейных предохранителей, предохранители (винтовые необходимо выкру-

Микроволновая печь HMW 655 X

чивать из гнезд), частотно импульсные выключатели и контакторы.

⇒ Установленные устройства должны обеспечивать защиту от случайного прикосновения к электропроводникам

⇒ **ВНИМАНИЕ:** прибор должен быть заземлен.

ОЧИСТКА

⇒ Прибор следует регулярно чистить, а также удалять из него какие бы то ни было остатки продуктов.

⇒ Если не поддерживать прибор в чистом состоянии, это может привести к повреждению его поверхности, что, в свою очередь, может неблагоприятно повлиять на срок службы прибора и даже привести к несчастному случаю.

⇒ Не используйте жесткие абразивные чистящие средства или острые металлические скребки для чистки стеклянной дверцы, так как ими можно поцарапать его поверхность, в результате чего стекло может лопнуть.

⇒ Не используйте пароочистители для очистки прибора.

⇒ Контактные поверхности дверцы (передняя часть внутренней камеры и внутренняя сторона дверцы) должны содержаться в чистоте, чтобы обеспечить правильную работу печи

⇒ Пожалуйста, следуйте инструкциям по очистке, приведенным в разделе «Очистка и техническое обслуживание микроволновой печи».

РЕМОНТ

⇒ **ВНИМАНИЕ:** Перед выполнением операций по очистке и уходу отключите прибор от сети электропитания.

⇒ **ВНИМАНИЕ:** Все операции по обслуживанию и ремонту прибора, в ходе которых требуется снятие кожуха, защищающего от микроволнового излучения, должны выполняться только квалифицированным специалистом.

⇒ **ВНИМАНИЕ:** Если дверца или дверное уплотнение повреждено, прибором пользоваться нельзя, пока он не будет отремонтирован квалифицированным специалистом.

⇒ В случае повреждения шнура питания во избежание несчастного случая он должен быть заменен изготовителем, авторизованным сервисным центром или специалистом с равнозначной квалификацией.

⇒ Ремонт и техническое обслуживание, особенно токоведущих частей, могут быть выполнены только специалистом, уполномоченным изготовителем печи.



УКАЗАНИЯ ПО БЕЗОПАСНОСТИ

⇒ **Предостережение!** Запрещается нагревать чистый спирт или алкогольные напитки в микроволновой печи. ОПАСНОСТЬ ВОЗГОРАНИЯ!

⇒ **Осторожно!** Во избежание перегрева или сгорания пищи очень важно, чтобы не были выбраны длительные периоды времени работы или уровень мощности, которые являются

Микроволновая печь HMW 655 X

чрезмерными для нагрева небольшого количества пищи. Например, булочка может сгореть через 3 минуты, если выбрана слишком большая мощность.

☞ Для приготовления тостов используйте только функцию Гриль, и все время держите печь под присмотром. Если вы будете использовать комбинированную функцию для поджаривания хлеба, тосты очень быстро загорятся.

☞ Следите, чтобы силовые кабели и другие электроприборы не касались горячей дверцы или не попадали в печь. Изоляция кабеля может расплавиться.

☞ **Опасность короткого замыкания!**



☞ **Соблюдайте осторожность при нагревании жидкостей!**

☞ Жидкости (вода, кофе, чай, молоко и т.д.) практически достигают температуры кипения в печи; если в этот момент их сразу вынуть из печи, они могут выплеснуться из контейнеров.

☞ **ОПАСНОСТИ ТРАВМ И ОЖОГОВ!**

☞ Чтобы избежать подобной ситуации при нагреве жидкостей, поме-

стите чайную ложку или стеклянную палочку внутрь контейнера.

☞ Во избежание повреждения печи или возникновения других опасных ситуаций, следуйте этим инструкциям:

☞ Не включайте прибор, если держатель тарелки, роликовая подставка и вращающийся поднос не находятся на соответствующих местах.

☞ Никогда не включайте микроволновую печь, когда она пустая. Если внутри печи нет никакой пищи, может возникнуть избыточный электрический заряд, и печь может быть повреждена. **ОПАСНОСТЬ ПОВРЕЖДЕНИЯ ПРИБОРА!**

☞ Для тестирования программ печи поместите стакан воды внутрь печи. Вода поглощает микроволны, и печь не будет повреждена.

☞ Запрещается закрывать или загоразивать вентиляционные отверстия.

☞ Используйте только посуду, подходящую для использования в микроволновой печи. Перед использованием посуды и контейнеров в микроволновой печи, убедитесь, что они подходят для этого (см. раздел о типах посуды).

☞ Никогда не снимайте крышку из слюды на потолке духового шкафа! Это покрытие останавливает жир и кусочки пищи, предотвращая повреждение микроволнового генератора.

☞ Не храните легковоспламеняющиеся объекты внутри печи, так как

Микроволновая печь HMW 655 X

они могут загореться при включении печи.

☞ Не используйте печь для хранения продуктов.

☞ Не используйте печь для жарки, поскольку невозможно контролировать температуру масла при нагреве его микроволнами.»

☞ Не наклоняйтесь и не садитесь на открытую дверцу духового шкафа. Это может привести к повреждению печи, особенно в зоне шарнира. Дверь может иметь максимальный вес 8 кг.

☞ Керамическое основание во внутренней камере может нести максимальную нагрузку 8 кг. Чтобы не повредить печь, не следует превышать такую нагрузку.

Утилизация старых электроприборов



В соответствии с требованиями Европейской директивы 2002/96/ЕС по утилизации электрического и электронного оборудования (WEEE) необходимо, чтобы старые бытовые электроприборы не утилизировались вместе с обычными твердыми бытовыми отходами.

Старые приборы должны собираться отдельно, чтобы оптимизировать их утилизацию и переработку материалов, которые они содержат, а также уменьшить воздействие на здоровье человека и окружающую среду. Перечёркнутое изображение мусорного контейнера должно находиться на всех устройствах для напоминания о необходимости отдельного сбора при утилизации прибора.

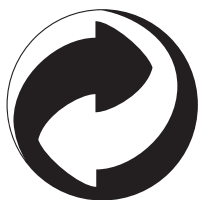
Потребители должны связаться со своим местным органом власти или продавцом для получения информации о правильной утилизации старых бытовых электроприборов.

Перед утилизацией Вашего прибора, отсоедините кабель питания и утилизируйте его.



ЗАЩИТА ОКРУЖАЮЩЕЙ СРЕДЫ

Утилизация упаковки



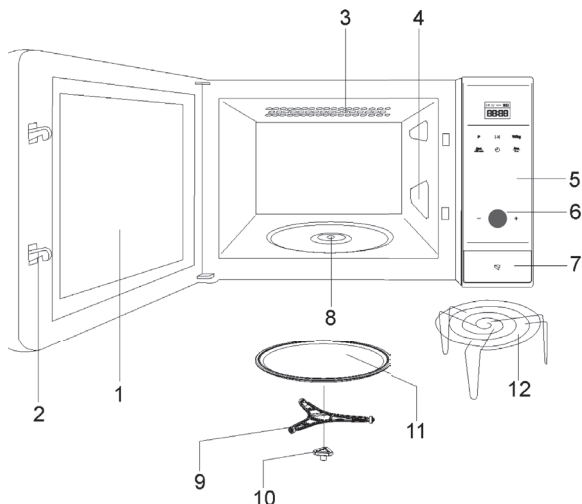
На упаковке имеется знак Green Dot.

При утилизации всех упаковочных материалов, таких как картон, пенополистирол и пластиковые пленки, используйте соответствующие мусорные контейнеры. Это гарантирует, что упаковочные материалы будут подвергаться вторичной переработке.

Микроволновая печь НМВ 655 X



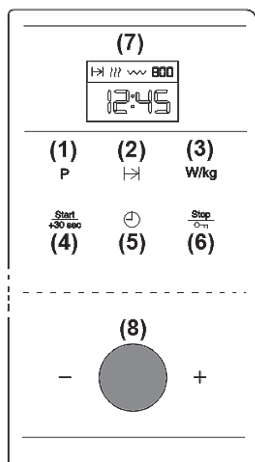
ОПИСАНИЕ МИКРОВОЛНОВОЙ ПЕЧИ



- | | |
|-----------------------------|-------------------------------------|
| 1. Стекло дверцы | 7. Кнопка открывания |
| 2. Фиксаторы | 8. Место для вращающегося основания |
| 3. Кварцевый гриль | 9. Вращающееся основание |
| 4. Слюдяные крышки | 10. Суппорт вращающегося основания |
| 5. Панель управления | 11. Вращающийся поддон |
| 6. Поворотный переключатель | 12. Гриль |

Панель управления

Рис. 1



- | | | |
|---|--------------------------|------------------------------------------------|
| 1 | P | Клавиша Программа |
| 2 | → | Клавиша Продолжительность |
| 3 | W/kg | Клавиша Мощность / вес |
| 4 | Start
+30 sec | Старт |
| 5 | ⌚ | Клавиша Часы |
| 6 | Stop
○ □ | Клавиша Стоп / блокировки в целях безопасности |
| 7 | ⌚
12:45 | Дисплей |
| 8 | - ● + | Поворотный переключатель |

Микроволновая печь HMW 655 X

Описание функций кнопок

Символ	Описание	Мощность	Продукты
	Микро-волновая печь	160W	Медленное размораживание деликатных продуктов; поддержание пищи в подогретом состоянии.
		320W	Приготовление с небольшим нагревом; кипячение риса. Быстрое размораживание.
		480W	Плавление сливочного масла. Подогрев детского питания.
		640W	Приготовление овощей и продуктов. Тщательное приготовление и подогрев пищи. Разогрев и приготовление небольших порций. Разогрев деликатных продуктов.
		800W	Быстрое приготовление и разогрев жидкостей и других продуктов
	Микроволновая печь + Гриль	95W	Подрумянивание продуктов
		135W	Поджаривание птицы и мяса
		170W	Выпекание пирогов и блюд в панировке
		200W	Приготовление мяса на кости
		230W	Картофель с тертым сыром
	Гриль	---	Приготовление на гриле любых продуктов
	Размораживание	---	Разморозка по времени
		---	Разморозка по весу
	Автоматическое приготовление пищи	---	Вареный картофель
		---	Фриттеры и тушеные блюда
		---	Картофельное пюре

Микроволновая печь HMW 655 X

**ОСНОВНЫЕ НАСТРОЙКИ****НАСТРОЙКА ЧАСОВ****(См. рис. 1)**

1. Нажимайте клавишу ЧАСЫ (5) до тех пор, пока цифры часов не начнут мигать.

2. Введите значение времени, повернув ПОВОРОТНЫЙ ПЕРЕКЛЮЧАТЕЛЬ (8) в любом направлении.

3. Нажмите клавишу ЧАСЫ (5) еще раз, чтобы настроить минуты.

4. Введите значение минут, повернув ПОВОРОТНЫЙ ПЕРЕКЛЮЧАТЕЛЬ (8) в любом направлении.

5. Для завершения еще раз нажмите клавишу ЧАСЫ (5).

БЛОКИРОВКА В ЦЕЛЯХ БЕЗОПАСНОСТИ**(См. рис. 1)**

Можно заблокировать работу печи (например, чтобы дети не могли ее использовать).

1. Нажмите КЛАВИШУ СТОП / БЛОКИРОВКИ В ЦЕЛЯХ БЕЗОПАСНОСТИ (6) на 3 секунды. Микроволновая печь подаст звуковой сигнал, и прибор будет заблокирован. На дисплее будут отображаться четыре линии, и работа печи будет заблокирована.


2. Часы будут по-прежнему отображаться на экране, также на ДИСПЛЕЕ (7) будет гореть индикатор Блокировки в целях безопасности.

3. Чтобы разблокировать микроволновую печь, нажмите КЛАВИШУ СТОП / БЛОКИРОВКИ В ЦЕЛЯХ БЕЗОПАСНОСТИ (6) на 3 секунды. Микро-

волновая печь подаст звуковой сигнал, и на дисплее снова будут отображаться часы.

**ОСНОВНЫЕ ФУНКЦИИ****МИКРОВОЛНЫ****(См. рис. 1)**

1. Нажмите КЛАВИШУ ПРОГРАММА «Р» (1). Индикатор режима

МИКРОВОЛНОВАЯ ПЕЧЬ  на ДИСПЛЕЕ (7) загорится. Подтвердите выбор функции, нажав КЛАВИШУ ПРОГРАММА «Р» (1) еще раз.

2. Нажмите КЛАВИШУ ПРОДОЛЖИТЕЛЬНОСТЬ (2). Введите нужное время работы, повернув ПОВОРОТНЫЙ ПЕРЕКЛЮЧАТЕЛЬ (8) в любом направлении. Подтвердите выбор, нажав КЛАВИШУ ПРОДОЛЖИТЕЛЬНОСТЬ (2) еще раз.

3. Чтобы изменить настройку мощности микроволновой печи, нажмите КЛАВИШУ МОЩНОСТЬ / ВЕС (3). (Если не нажать эту клавишу, прибор будет работать на максимальной мощности.) Введите нужное значение мощности, повернув ПОВОРОТНЫЙ ПЕРЕКЛЮЧАТЕЛЬ (8) в любом направлении. Подтвердите выбор, нажав КЛАВИШУ МОЩНОСТЬ / ВЕС (3) еще раз.

4. Нажмите клавишу запуска (4). Печь начнет работу.

МИКРОВОЛНОВЫЙ НАГРЕВ – БЫСТРЫЙ РАЗОГРЕВ**(См. рис. 1)**

1. В режиме ожидания нажмите кнопку Пуск (4) Микроволновая печь


Микроволновая печь HMW 655 X

включается в микроволновом режиме с максимальной мощностью и работает в течение 30 с.

2. Если вы хотите увеличить время работы микроволновой печи, нажмите кнопку Пуск (4) еще раз. Каждый раз, когда вы нажимаете эту кнопку (4), время работы микроволновой печи увеличивается на 30 с.

ГРИЛЬ**(См. рис. 1)**

1. Нажмите КЛАВИШУ ПРОГРАММА «Р» (1). Выберите функцию ГРИЛЬ


 повернув ПОВОРОТНЫЙ ПЕРЕКЛЮЧАТЕЛЬ (8) в любом направлении. Подтвердите выбор функции, нажав КЛАВИШУ ПРОГРАММА «Р» (1) еще раз.

2. Нажмите КЛАВИШУ ПРОДОЛЖИТЕЛЬНОСТЬ (2). Введите нужное время работы, повернув ПОВОРОТНЫЙ ПЕРЕКЛЮЧАТЕЛЬ (8) в любом направлении. Подтвердите выбор, нажав КЛАВИШУ ПРОДОЛЖИТЕЛЬНОСТЬ (2) еще раз.

3. Нажмите клавишу запуска (4). Печь начнет работу.

МИКРОВОЛНЫ + ГРИЛЬ**(См. рис. 1)**

1. Нажмите КЛАВИШУ ПРОГРАММА «Р» (1). Выберите функцию

МИКРОВОЛНЫ + ГРИЛЬ , повернув ПОВОРОТНЫЙ ПЕРЕКЛЮЧАТЕЛЬ (8) в любом направлении. Подтверди-

те выбор функции, нажав КЛАВИШУ ПРОГРАММА «Р» (1) еще раз.


2. Нажмите КЛАВИШУ ПРОДОЛЖИТЕЛЬНОСТЬ (2). Введите нужное время работы, повернув ПОВОРОТНЫЙ ПЕРЕКЛЮЧАТЕЛЬ (8) в любом направлении. Подтвердите выбор, нажав КЛАВИШУ ПРОДОЛЖИТЕЛЬНОСТЬ (2) еще раз.

3. Чтобы изменить настройку мощности микроволновой печи, нажмите КЛАВИШУ МОЩНОСТЬ / ВЕС (3). (Если не нажать эту клавишу, прибор будет работать на максимальной мощности.) Введите нужное значение мощности, повернув ПОВОРОТНЫЙ ПЕРЕКЛЮЧАТЕЛЬ (8) в любом направлении. Подтвердите выбор, нажав КЛАВИШУ МОЩНОСТЬ / ВЕС (3) еще раз.

4. Нажмите клавишу запуска (4). Печь начнет работу.

**РАЗМОРОЗКА ПО ВЕСУ
(АВТОМАТИЧЕСКАЯ)****(См. рис. 1)**

1. Нажмите КЛАВИШУ ПРОГРАММА «Р» (1). Выберите функцию

РАЗМОРОЗКА ПО ВЕСУ , повернув ПОВОРОТНЫЙ ПЕРЕКЛЮЧАТЕЛЬ (8) в любом направлении. Подтвердите выбор функции, нажав КЛАВИШУ ПРОГРАММА «Р» (1) еще раз.

2. Индикация программы « P01 » мигает (по умолчанию). Выберите тип пищи (программу), повернув ПОВОРОТНЫЙ ПЕРЕКЛЮЧАТЕЛЬ (8) в любом направлении (см. таблицу ниже). (Если вы не повернете ПОВОРОТНЫЙ

Микроволновая печь HMW 655 X

ПЕРЕКЛЮЧАТЕЛЬ, программа « P01 » будет выбрана по умолчанию.) Подтвердите выбор, нажав КЛАВИШУ МОЩНОСТЬ / ВЕС (3).

3. На дисплее вы увидите мигающее значение веса (например, « 0,1 » по умолчанию) и индикатор веса «кг». Укажите вес продукта (например, «1,2 кг»), повернув ПОВОРОТНЫЙ ПЕРЕКЛЮЧАТЕЛЬ (8) в любом направлении.) Подтвердите выбор, нажав КЛАВИШУ МОЩНОСТЬ / ВЕС (3). Индикация программы, выбранной вами ранее (например: « P01 »), начинает снова мигать.

4. Нажмите клавишу запуска (4). Печь начнет работу.

5. Когда микроволновая печь подает звуковой сигнал и на ДИСПЛЕЕ (7) начинает мигать слово «TURN», переверните пищу. Снова закройте дверцу и нажмите клавишу СТАРТ (4).


В следующей таблице приведены программы для функции разморозки по весу с указанием диапазонов веса, времени разморозки и выдерживания (чтобы пища достигала равномерной температуры).

Программа	Пища	Вес (г)	Время (мин)	Время выдерживания (мин)
P0 1	Мясо	0,1 – 2,5 kg	3мин – 1ч15	20 – 30
P0 2	Дичь	0,1 – 2,5 kg	3мин – 1ч15	20 – 30
P0 3	Рыба	0,1 – 2,5 kg	3.20мин – 1ч23	20 – 30
P0 4	Фрукты	0,1 – 1,0 kg	2.36мин – 26 мин	5 – 10
P0 5	Хлеб	0,1 – 1,5 kg	2.25мин – 36.15 мин	5 – 10

РАЗМОРОЗКА ПО ВРЕМЕНИ (НАСТРОЙКА ВРУЧНУЮ)

(См. рис. 1)

1. Нажмите КЛАВИШУ ПРОГРАММА «P» (1). Выберите функцию РАЗМОРОЗКА

ПО ВРЕМЕНИ , повернув ПОВОРОТНЫЙ ПЕРЕКЛЮЧАТЕЛЬ (8) в любом направлении. Подтвердите выбор функции, нажав КЛАВИШУ ПРОГРАММА «P» (1) еще раз.

2. Нажмите КЛАВИШУ ПРОДОЛЖИТЕЛЬНОСТЬ (2). Введите нужное время работы, повернув ПОВОРОТНЫЙ ПЕРЕКЛЮЧАТЕЛЬ (8) в любом направлении. Подтвердите выбор, нажав КЛАВИШУ ПРОДОЛЖИТЕЛЬНОСТЬ (2) еще раз.

3. Нажмите клавишу запуска (4). Печь начнет работу.

4. Когда микроволновая печь прекращает работу и начинает подавать звуковой сигнал, передвиньте или переверните пищу. Для возобновления работы закройте дверцу микроволновой печи и нажмите клавишу Старт, процесс разморозки будет продолжен.



СПЕЦИАЛЬНЫЕ ФУНКЦИИ

Специальная функция: Auto1 (приготовление 500 г картофеля)

(См. рис. 1)

1. Поместите картофель (приблизительно 500 г) с небольшим количеством воды в термостойкий контейнер и поставьте его на вращающийся поддон в микроволновой печи.

2.. Нажмите КЛАВИШУ ПРОГРАММА «Р» (1). Выберите функцию «AUTO 1», повернув ПОВОРОТНЫЙ ПЕРЕКЛЮЧАТЕЛЬ (8) в любом направлении. Подтвердите выбор функции, нажав КЛАВИШУ ПРОГРАММА «Р» (1) еще раз.

3. Нажмите клавишу запуска (4). Печь начнет работу, и на дисплее будет отображаться оставшееся время работы.

Специальная функция: Auto 2 (вареные на медленном огне / тушеные блюда)

(См. рис. 1)

1. Поместите ингредиенты, которые требуется приготовить на медленном огне / потушить (например, капусту, тушеную курицу) в миску, накройте миску и поставьте ее на поддон печи.

2. Нажмите КЛАВИШУ ПРОГРАММА «Р» (1). Выберите функцию «AUTO 2», повернув ПОВОРОТНЫЙ ПЕРЕКЛЮЧАТЕЛЬ (8) в любом направлении.

Подтвердите выбор функции, нажав КЛАВИШУ ПРОГРАММА «Р» (1) еще раз.

3. Нажмите клавишу запуска (4). Печь начнет работу, и на дисплее будет отображаться оставшееся время работы.

4. Когда микроволновая печь подает звуковой сигнал и на дисплее начинает мигать слово «TURN», переверните пищу. Снова закройте дверцу и нажмите клавишу СТАРТ (4).

Специальная функция: Auto 3 (картофельное пюре)

(См. рис. 1)

1. Подготовьте картофельное пюре, используя 1 кг сырого картофеля. Поместите картофельное пюре в подходящую емкость (25-26 см в диаметре), а затем поставьте ее на поддон микроволновой печи.

2. Нажмите КЛАВИШУ ПРОГРАММА «Р» (1). Выберите функцию «AUTO 3», повернув ПОВОРОТНЫЙ ПЕРЕКЛЮЧАТЕЛЬ (8) в любом направлении. Подтвердите выбор функции, нажав КЛАВИШУ ПРОГРАММА «Р» (1) еще раз.

3. Нажмите клавишу запуска (4). Печь начнет работу, и на дисплее будет отображаться оставшееся время работы.

Функция памяти

(См. рис. 1)

Функция « MEM » сохранить в памяти прибора ряд часто используемых

Микроволновая печь HMW 655 X

параметров (время и мощность). Однако вы можете использовать данную опцию только с основными функциями: Микроволновая печь, Гриль и Микроволновая печь + Гриль.

Процедура сохранения параметров в памяти:**(См. рис. 1)**

1. Нажмите КЛАВИШУ ПРОГРАММА «Р» (1). Выберите нужную функцию (например, МИКРОВОЛНОВАЯ ПЕЧЬ), повернув ПОВОРОТНЫЙ ПЕРЕКЛЮЧАТЕЛЬ (8) в любом направлении. Подтвердите выбор функции, нажав КЛАВИШУ ПРОГРАММА «Р» (1) еще раз.

2. Задайте нужные параметры (продолжительность и мощность), как описано в разделе «Основные функции».

3. Нажимайте КЛАВИШУ ПРОГРАММА «Р» (1) до тех пор, пока вы не услышите звуковой сигнал и на дисплее (7) не отобразится слово «МЕМ».

Процедура использования сохраненных в памяти параметров:**(См. рис. 1)**

1. Нажмите КЛАВИШУ ПРОГРАММА «Р» (1). Выберите функцию «МЕМ», повернув ПОВОРОТНЫЙ ПЕРЕКЛЮЧАТЕЛЬ (8) в любом направлении. Подтвердите выбор функции, нажав КЛАВИШУ ПРОГРАММА «Р» (1) еще раз.

2. Нажмите клавишу запуска (4). Печь начнет работу.

Удаление программ в памяти:**(См. рис. 1)**

1. Нажмите КЛАВИШУ ПРОГРАММА «Р» (1). Выберите функцию «МЕМ», повернув ПОВОРОТНЫЙ ПЕРЕКЛЮЧАТЕЛЬ (8) в любом направлении. Подтвердите выбор функции, нажав КЛАВИШУ ПРОГРАММА «Р» (1) еще раз.

2. Нажимайте КЛАВИШУ СТОП / БЛОКИРОВКИ В ЦЕЛЯХ БЕЗОПАСНОСТИ (6) до тех пор, пока вы не услышите звуковой сигнал. Печь возвращается в режим ожидания.

**ВО ВРЕМЯ РАБОТЫ МИКРОВОЛНОВОЙ ПЕЧИ...**

Вы можете прервать процесс готовки в любой момент, нажав клавишу Стоп один раз или открыв дверцу:

➤ Излучение микроволн немедленно прекращается.

➤ Гриль выключается, но остается очень горячим. Опасность ожогов!

➤ Таймер останавливается и на дисплее отображается оставшееся время работы.

При желании, в этот момент Вы можете:

1. Перевернуть или помешать пищу для ее равномерного приготовления.

2. Изменить настройку мощности микроволновой печи, используя клавиши “-” и “+”.

3. Выбрать другую функцию, используя клавиши функций.

4. Отрегулировать оставшееся время приготовления, используя ПОВОРОТНЫЙ ПЕРЕКЛЮЧАТЕЛЬ.

Для возобновления процесса закройте дверцу и нажмите клавишу Пуск.

Прерывание цикла готовки

Вы можете прервать процесс готовки в любой момент, нажав клавишу Стоп один раз или открыв дверцу.

Если вы хотите отменить процесс готовки, снова закройте дверцу и нажмите клавишу СТОП. Микроволновая печь подаст звуковой сигнал, и на дисплее отобразятся часы.

Окончание цикла готовки

По завершении процесса готовки раздадутся три коротких звуковых сигнала, и на дисплее появится слово «End».

Звуковые сигналы будут повторяться каждые 30 секунд до тех пор, пока не будет открыта дверца печи или не будет нажата клавиша Стоп.



ТИП ЖАРОПРОЧНОЙ ПОСУДЫ ДЛЯ ИСПОЛЬЗОВАНИЯ

Функция микроволн

При использовании функции микроволн важно помнить, что микроволны отражаются от металлических поверхностей. Стекло, фарфор, керамика, пластик и бумага позволяют микроволнам проходить.

Таким образом, **металлические сковородки и посуда для пригото-**

вления пищи или контейнеры с металлическими деталями или украшениями не могут быть использованы в микроволновой печи. Стекло и керамическая посуда с **металлическими украшениями или примесями** (например, свинцовое стекло) также не может быть использована в микроволновой печи.

Идеальным материалом для использования при готовке пищи в микроволновой печи является стекло, термостойкий фарфор или глина, или термостойкий пластик. Очень тонкий хрусталь и фарфор должны использоваться только в течение короткого периода времени (например, для разогрева пищи).

Горячие продукты передают тепло посуде, которая может стать очень горячей. Поэтому всегда используйте **варежки-прихватки!**

Как протестировать посуду, которую вы хотите использовать

Поместите посуду в печь при максимальной мощности на 20 секунд. Если посуда остается холодной или не очень сильно нагревается, она подходит. Однако если она сильно нагревается или вызывает электрическую дугу, она не подходит.

Функция Гриль

Для использования с функцией Гриль посуда должна быть устойчива к температуре не ниже 300°C.

Пластиковая посуда не подходит для готовки в данном режиме.

Микроволновая печь HMW 655 X**Комбинированные функции**

Для использования с функцией микроволны + гриль посуда должны быть пригодна как для микроволн, так и для гриля.

Алюминиевые контейнеры и фольга

Полуфабрикаты в алюминиевых контейнерах или завернутые в алюминиевую фольгу можно поместить в микроволновую печь, если будут соблюдены следующие инструкции:

➔ Обратите внимание на инструкции производителя, напечатанные на упаковке,

➔ Алюминиевые контейнеры не должны быть выше 3 см, и они не должны соприкасаться со стенками внутренней камеры (минимальное расстояние 3 см). Алюминиевые крышки должны быть удалены.

➔ Поместите алюминиевый контейнер прямо на керамическое основание. При использовании решетки контейнер должен быть размещен на фаянсовой тарелке. Никогда не ставьте контейнер прямо на решетку!

➔ Время приготовления будет больше, потому что микроволны проходят в пищу только сверху. Если вы сомневаетесь, используйте только посуду для микроволновых печей.

➔ Алюминиевая фольга может быть использована для отражения микроволн во время процесса разморозки. Деликатные продукты, такие как птица или мясной фарш, можно

защитить от перегрева, накрыв их соответствующие стороны.

➔ Важно: алюминиевая фольга не должна соприкасаться со стенками микроволновой печи, так как это может привести к возникновению электрической дуги.

Крышки

Мы рекомендуем использовать стеклянные, пластиковые крышки или пищевую пленку по следующим причинам:

1. Они предотвращают чрезмерное испарение влаги (особенно в течение длительного времени приготовления пищи);

2. Процесс приготовления ускоряется;

3. Пища не сохнет;

4. Аромат пищи сохраняется.

Крышка должна иметь отверстия, чтобы избежать нагнетания любого типа давления. Пластиковые пакеты также должны иметь отверстия. Бутылочки и баночки с детским питанием и другие подобные контейнеры должны разогреваться только без крышки, так как они могут взорваться, если крышка остается надетой.

Таблица посуды

В следующей таблице приведены общие рекомендации по типу посуды, подходящей для каждой конкретной ситуации.

Режим работы Тип посуды	Микроволны		Гриль	Микроволны + Гриль
	Разморозка / нагрев	Готовка		
Стекло и фарфор 1) Столовая, нетермостойкая, пригодная для мытья в посудомоечной машине	да	да	нет	нет
Глазурованный фарфор Термостойкое стекло и фарфор	да	да	да	да
Фарфор, камень 2) Неглазурованная или глазурованная без металлических украшений	да	да	нет	нет
Фаянсовая посуда 2) Глазурованная Неглазурованная	да нет	да нет	нет нет	нет нет
Пластиковая посуда 2) Термостойкая до 100°C Термостойкая до 250°C	да да	нет да	нет нет	нет нет
Полиэтиленовая пленка 3) Пищевая пленка Целлофан	нет да	нет да	нет нет	нет нет
Бумага, картон, пергаментная бумага 4)	да	нет	нет	нет
Металл Алюминиевая фольга Алюминиевые контейнеры 5) Аксессуары	да нет да	нет да да	да да да	нет да да

1. Без золотых или серебряных каемок и свинцового стекла.
2. Следуйте инструкциям производителя!
3. Не используйте металлические зажимы, чтобы закрыть пакеты. Перфорируйте пакеты. Используйте пленку только для того, чтобы накрыть пищу.
4. Не используйте бумажные тарелки.
5. Только мелкие алюминиевые контейнеры без крышек. Алюминий не должен соприкасаться со стенками внутренней камеры.

Микроволновая печь HMW 655 X

**ЧИСТКА И
ОБСЛУЖИВАНИЕ**

ПЕРЕД ЧИСТКОЙ микроволновой печи **УБЕДИТЕСЬ, ЧТО ВИЛКА НЕ НАХОДИТСЯ В РОЗЕТКЕ.**

После использования печи дайте ей остыть. Не чистите печь абразивными чистящими веществами, металлическими мочалками, которые царапают поверхности, или острыми предметами.

Внешние поверхности:

1. Очистите внешние поверхности нейтральным моющим средством, теплой водой и влажной тряпкой.

2. Не допускайте просачивания воды через внешние элементы конструкции.

Внутренние поверхности:

1. После каждого использования печи вытрите внутренние стенки влажной тряпкой.

2. Не допускайте попадания воды в вентиляционные отверстия микроволновой печи.

3. Если с момента последней чистки прошло много времени и внутренние поверхности печи сильно загрязнены, поставьте на поддон стакан с водой и включите микроволновую печь на максимальную мощность на 4 минуты. Образовавшийся пар смягчит загрязнения, которые затем можно будет легко очистить с помощью мягкой тряпки.

Важно! Печь не следует чистить пароструйными моющими установками.

Поток пара может попасть на находящиеся под напряжением детали и вызвать короткое замыкание.

Наиболее загрязненные поверхности из нержавеющей стали можно чистить с помощью неабразивных моющих средств.

Затем следует промыть их горячей водой и хорошо вытереть.

4. Принадлежности микроволновой печи следует чистить после каждого использования. Если они сильно загрязнены, сначала смочите их, а затем очистите с помощью щетки и губки. Принадлежности микроволновой печи можно мыть в посудомоечной машине. Следите за тем, чтобы вращающееся основание и соответствующий поддон были всегда чистыми.

**Дверца, петли дверцы и
передняя часть печи:**

1. Эти части всегда должны быть чистыми, особенно контактные поверхности между дверью и передней частью печи, чтобы не было никаких утечек.

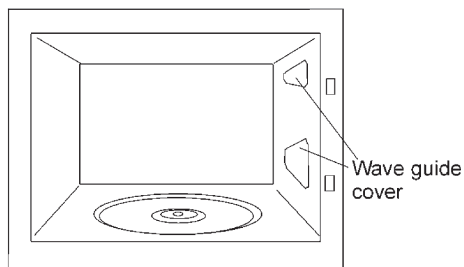
2. Для чистки используйте нейтральное моющее средство и теплую воду. Осуществляйте чистку с помощью мягкой тряпки.

Слюдяные крышки:

Всегда держите слюдяные крышки в чистоте. Остатки на крышках еда может деформировать их или вести к образованию искр. Поэтому они должны чиститься на регулярной основе. При этом нельзя использовать

Микроволновая печь HMW 655 X

абразивные чистящие вещества или острые предметы. Не снимайте крышки во избежание какого-либо риска.



Крышки волноводов

Продукты слишком горячие, высушены или подгорели:

☞ правильно ли вы выбрали время работы и уровень мощности?

Во время работы печи издается шум:

☞ не образуется ли электрическая дуга в печи?

☞ не соприкасается ли посуда со стенками полости печи?

☞ нет ли в печи незакрепленных столовых приборов или принадлежностей для приготовления пищи?

Внутреннее освещение не включается:

☞ если все функции работают нормально, вероятно, перегорела лампочка. Вы можете продолжать пользоваться печью. Лампочка подлежит замене только в центре технического обслуживания.

Поврежден кабель питания

☞ Кабель питания должен быть заменен производителем, уполномоченными агентами или специалистами, которые квалифицированы для выполнения этой работы, в целях предотвращения опасных ситуаций и в связи с необходимостью специальных инструментов.

При обнаружении каких-либо неисправностей свяжитесь со службой поддержки клиентов.

Все ремонтные работы должны осуществляться квалифицированным техническим персоналом.



УСТРАНЕНИЕ ПРОБЛЕМ

Печь не работает надлежащим образом:

☞ правильно ли вставлена вилка в розетку?

☞ полностью ли закрыта дверца? Дверца должна закрываться с отчетливо слышным щелчком.

☞ не имеется ли посторонних предметов между дверцей и лицевой частью полости печи?

Продукты не нагреваются или нагреваются очень медленно:

☞ не используете ли вы металлическую посуду?

☞ правильно ли вы выбрали время работы и уровень мощности?

☞ возможно, вы поместили в печь продукты большего объема или более охлажденные, чем обычно.

Микроволновая печь НМW 655 X



ТЕХНИЧЕСКИЕ ХАРАКТЕРИСТИКИ

Спецификации

Питающее напряжение переменного тока	(см. паспортную табличку)
Плавкий предохранитель.....	8 А / 250 В
Потребляемая мощность.....	1200 Вт
Мощность гриля	1000 Вт
Выходная мощность микроволнового излучения.....	800 Вт
Частота микроволнового излучения	2450 МГц
Наружные размеры (Ш x В x Г).....	595 x 390 x 350 мм
Внутренние размеры (Ш x В x Г).....	305 x 210 x 305 мм
Емкость камеры микроволновой печи	18 л
Масса	18,6 кг

ИНСТРУКЦИИ
ПО УСТАНОВКЕ

Используйте кнопку «открыть», чтобы открыть дверцу и снять все упаковочные материалы. Затем почистите внутренние поверхности и принадлежности влажной тканью и просушите их. Не используйте абразивные материалы или вещества со стойким запахом.

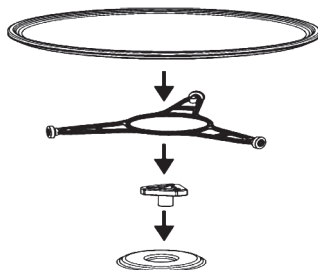
Убедитесь, что следующие детали находятся в хорошем состоянии:

- ➞ дверца и петли;
- ➞ передняя панель микроволновой печи;
- ➞ внутренние и внешние поверхности печи.

НЕ ИСПОЛЬЗУЙТЕ ПЕЧЬ при обнаружении каких-либо дефектов вышеуказанных деталей. В этом случае свяжитесь с центром технического обслуживания.

Установите микроволновую печь на ровную и устойчивую поверхность.

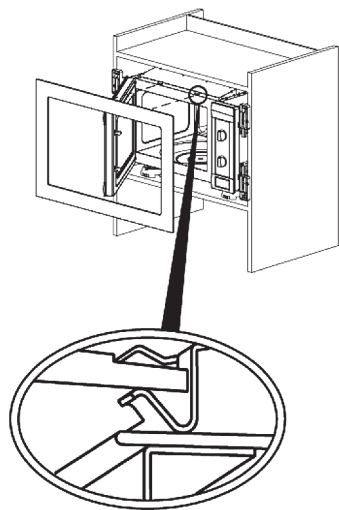
Установите вращающееся основание в отверстие в центре полости микроволновой печи и поставьте на него вращающийся поддон так, чтобы он стал на свое место. При использовании микроволновой печи вращающееся основание и соответствующий поддон должны находиться внутри печи и быть правильно установлены. Вращающийся поддон вращается как по часовой, так и против часовой стрелки.



Микроволновая печь HMW 655 X

Внимание! Микроволновая печь может быть завернута в защитную пленку. Перед первым включением печи аккуратно снимите данную пленку, начиная с нижней части.

Для того, чтобы обеспечить надлежащую вентиляцию для прибора, установите раму в правильном пути. Пожалуйста, обратитесь к следующим изображениям:



Внимание: после установки микроволновой печи необходимо обеспечить подключение к электрической розетке.

При установке убедитесь в том, что кабель питания не касается задней части микроволновой печи, поскольку высокая температура может повредить кабель.

При установке микроволновой печи и обычной печи в одной вертикальной плоскости микроволновая печь не должна размещаться под печью в связи с образованием конденсата.

Печь не должна находиться вблизи источников тепла, радио или телевизионных приемников.

Микроволновая печь оснащена шнуром питания и штепсельной вилкой для сети однофазного тока.

ВНИМАНИЕ:

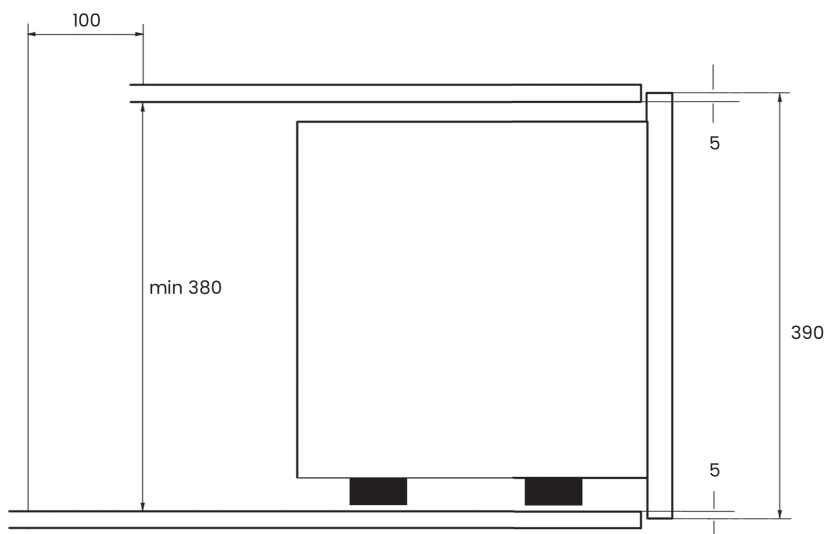
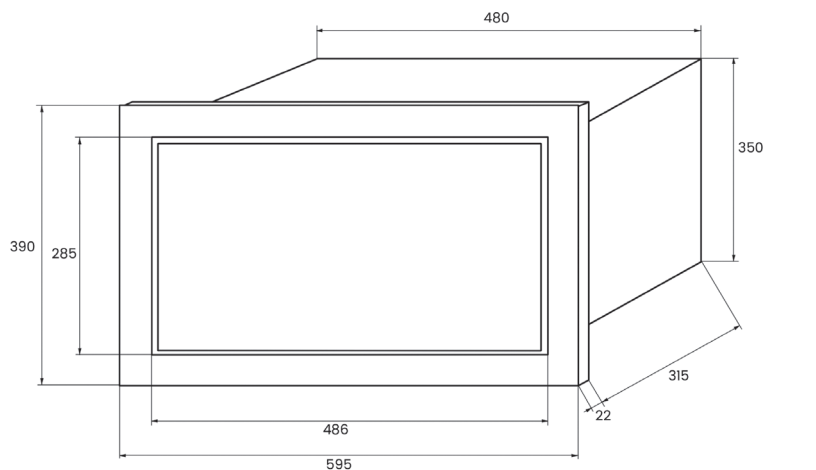
**Микроволновая печь
должна подключаться
только к заземленным
электрическим розеткам.**

В случае поломки производитель и продавец не несут никакой ответственности при ненадлежащем соблюдении инструкций по установке.

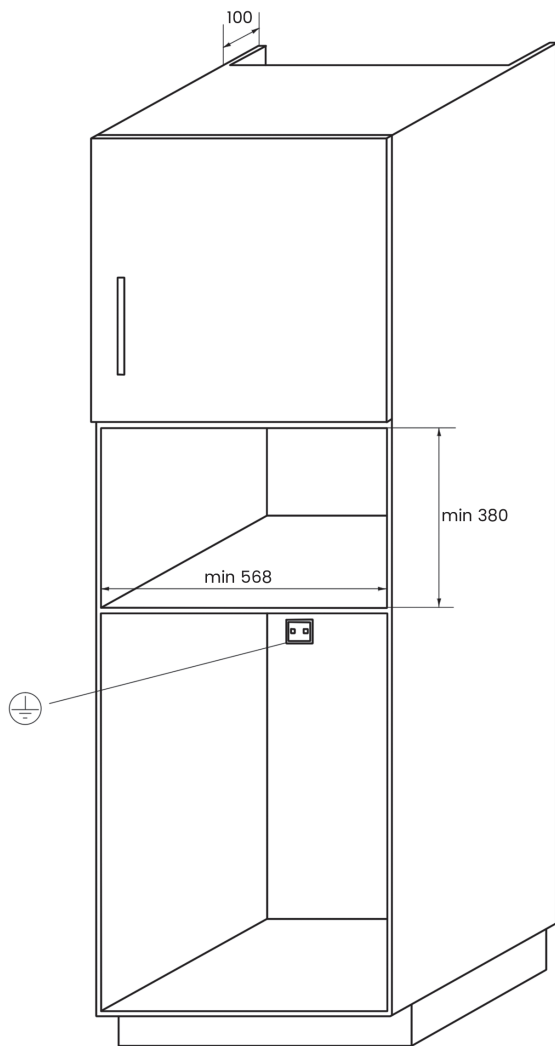
Микроволновая печь НМВ 655 X




УСТАНОВКА МИКРОВОЛНОВОЙ ПЕЧИ



Микроволновая печь НМW 655 X



Микроволновая печь HMW 655 X

Знак Таможенного союза											
Страна происхождения	Португалия										
Наименование компании-изготовителя	Teika Portugal S.A.										
Адрес компании-изготовителя	Estrada da Mota, Gafanha da Encarnacao, 3830-453, Ильяву, Португалия										
Импортер в России	ОООО «Эм-Джи Русланд», 141400 г. Химки (Khimki), ул. Бутаково, д.4 (Russia)										
Адрес импортера в России	ООО «Купперсберг-Импорт», 125438, г. Москва (Moscow), ул. Автомоторная, д. 7 (Russia)										
Срок службы изделия	10 лет										
Дата изготовления	Указывается на этикетке с серийным номером вытяжки										
1	2	3	4	5	6	7	8	9	10	11	
		Y	Y	M	D	S	S	S	S	S	
		Год	Месяц изготовления	День изготовления	Серийный номер изделия						

Обозначения месяца изготовления (5) приведены в следующей таблице:


ЯНВ	ФЕВ	МАР	АПР	МАЙ	ИЮН	ИЮЛ	АВГ	СЕН	ОКТ	НОЯ	ДЕК
1	2	3	4	5	6	7	8	9	A	B	C

Обозначения дня изготовления (6) приведены в следующей таблице:


День 1=1	День 2=2	День 3=3	День 4=4	День 5=5	День 6=6	День 7=7
День 8=8	День 9=9	День 10=A	День 11=B	День 12=C	День 13=D	День 14=E
День 15=F	День 16=G	День 17=H	День 18=I	День 19=K	День 20=L	День 21=M
День 22=N	День 23=P	День 24=Q	День 25=R	День 26=S	День 27=T	День 28=U
День 29=V	День 30=W	День 31=X				

ООО «КУППЕРСБЕРГ-СЕРВИС»

УСТАНОВКА, ГАРАНТИЙНОЕ И ПОСТГАРАНТИЙНОЕ ОБСЛУЖИВАНИЕ
ПО МОСКВЕ И МОСКОВСКОЙ ОБЛАСТИ

 +7 (495) 236-90-67

Телефон горячей линии Kuppersberg:

 8 (800) 250-17-18

(Звонки для всех регионов бесплатные).

 Часы работы линии: с 9:00 до 18:00 Пн-Пт

➔ Полный список авторизованных сервисных центров Kuppersberg можно найти на официальном сайте компании:

 <http://kuppersberg.ru>

➔ Данный паспорт технического изделия заменяет гарантийный талон.

➔ Гарантийный срок исчисляется со дня заключения договора купли-продажи.

➔ При отсутствии документов, подтверждающих покупку, эти сроки исчисляются со дня изготовления товара (Ст. 19 ЗоЗПП, пункт 2).

УСЛОВИЯ ГАРАНТИИ

Настоящие условия гарантии действительны на территории России, если иные условия не установлены действующим законодательством:

1. Изготовитель устанавливает гарантийный срок 2 (два) года со дня передачи Потребителю на следующие виды техники: воздухоочистители, встраиваемую технику. Срок службы бытовой техники «Kuppersberg» при соблюдении правил эксплуатации и применения ее в бытовых целях составляет 10 (десять) лет.

2. Гарантия распространяется на изделия, используемые только для личных, семейных, домашних нужд, а также нужд, не связанных с осуществлением предпринимательской деятельности.

3. Проследите, чтобы гарантийный талон был правильно заполнен, не имел исправлений и в нем были указаны: дата продажи, штамп торговой организации и подпись продавца, модель и серийный номер изделия, дата установки, название и штамп фирмы-установщика.

4. Сохраняйте гарантийный документ, чек на проданное изделие и квитанцию на услуги по его установке (доставке), доработке водяных и электрических внутриквартирных коммуникаций, а также любые другие документы, относящиеся к гарантийному или техническому обслуживанию изделия.

5. Прежде чем вызвать специалиста сервисного центра, внимательно прочитайте инструкцию по эксплуатации изделия. Если изделие исправно, то за сервисным центром остается право требовать от Потребителя оплаты ложного вызова.

6. Любые претензии по качеству изделия рассматриваются только после предварительной проверки качества изделия представителем сервисного центра.

7. Изготовитель не несет какой-либо ответственности за любой возможный ущерб, нанесенный потребителю, в случае несоблюдения последним требований Изготовителя, указанных в данном гарантийном документе и инструкции по эксплуатации.

8. Гарантийный срок на элементы освещения (галогеновые, светодиодные и лампы накаливания) составляет 15 дней со дня продажи прибора.

Гарантия не распространяется на изделия, недостатки в которых возникли вследствие:

1. Несоблюдения требований Изготовителя, указанных в гарантийном документе;
2. Несоблюдения Потребителем правил установки, подключения, эксплуатации, хранения или транспортировки изделия, указанных в инструкции по эксплуатации;
3. Ремонта не уполномоченными на то лицами, если таковой ремонт повлек за собой отказ изделия;
4. Разборки изделия, изменения конструкции и других вмешательств, не предусмотренных инструкцией по эксплуатации;
5. Неисправностей и повреждений, вызванных экстренными условиями и действием непреодолимой силы (пожар, стихийные бедствия, и т.д.);
6. Повреждений техники или нарушений ее нормальной работы, вызванных животными или насекомыми;
7. Повреждений техники или нарушений ее нормальной работы, вызванных сверхнормативными отклонениями параметров сети электро-, газо- или водоснабжения от номинальных значений;
8. Исползания изделия для предпринимательской деятельности или в непредусмотренных целях;
9. Образования на нагревательных элементах избыточного слоя накипи (при повышенной жесткости воды необходима обработка соответствующими составами);
10. Попадания во внутренние рабочие объемы изделия посторонних предметов, мелких деталей одежды или остатков пищи;
11. Механических повреждений изделия Потребителем (царапины, трещины, сколы и т.п.);
12. Потери товарного вида изделия вследствие воздействия на изделие химических веществ;
13. Термических и других подобных повреждений, которые возникли в процессе эксплуатации.

Изготовитель не принимает претензии в следующих случаях:

1. Несоблюдение правил установки;
2. Отсутствие оригинального гарантийного талона;
3. Отсутствие в гарантийном талоне следующих сведений: даты продажи, штампа торгующей организации, подписи продавца, модели и серийного номера изделия;
4. Внесение любых исправлений (изменений) в текст гарантийного документа.

Установка и подключение крупной бытовой техники:

1. Производитель рекомендует Вам доверить установку и подключение изделия «Kuppersberg» специалистам сервисного центра. Вы можете также обращаться в любую другую организацию, имеющую сертификат на оказание подобных услуг.

2. Оплата работ по установке и подключению изделия происходит по прейскуранту сервисного центра. Условия оплаты работ по установке и подключению регулируются действующим законодательством. Изготовитель не несет какой-либо ответственности за любой ущерб, нанесенный имуществу граждан вследствие установки и подключения, не соответствующих требованиям, указанным в инструкции по эксплуатации, и произведенных не уполномоченными на то лицами.

3. В случае нарушения требований Изготовителя по установке и подключению, ответственность за причиненный ущерб несет лицо, проводившее эту работу.

4. Газовая бытовая техника может быть установлена только специалистом, имеющим допуск на установку газового оборудования. Гарантийное обслуживание осуществляется только при наличии отметки об установке или документа уполномоченной организации.

Изделие, имеющее трехконтактную сетевую вилку, обязательно должно быть заземлено!





➔ **ВНИМАНИЕ!**

ДАННЫЙ ПАСПОРТ ИЗДЕЛИЯ
ТАК ЖЕ ЯВЛЯЕТСЯ
ГАРАНТИЙНЫМ ТАЛОНОМ,
ПРОСЬБА НЕ УНИЧТОЖАТЬ
ДО КОНЦА ЭКСПЛУАТАЦИИ
ТЕХНИКИ.

➔ Kuppersberg

➔ www.kuppersberg.ru

➔ info@kuppersberg.ru