


Installation Instruction

Notices

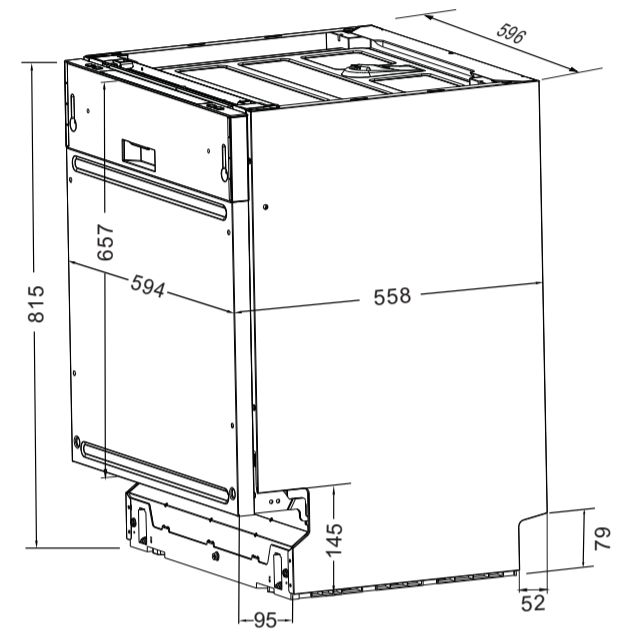
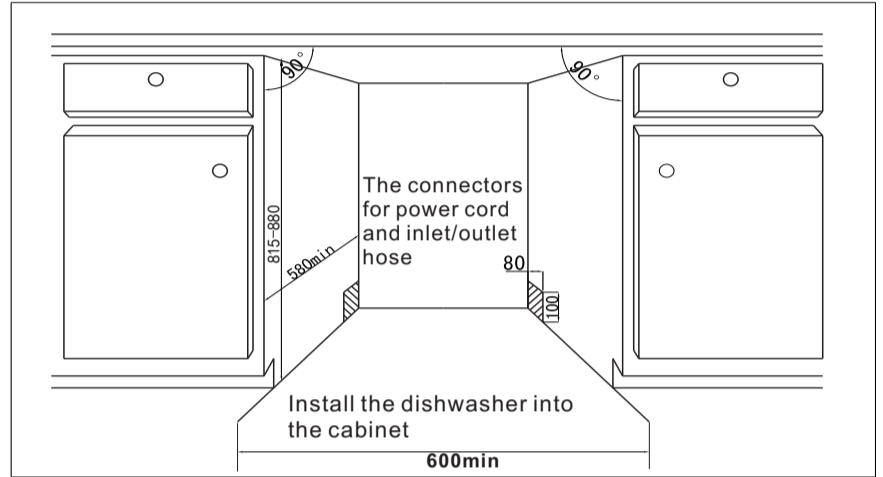
Water pipe and electric device should be installed by professionals

Warning

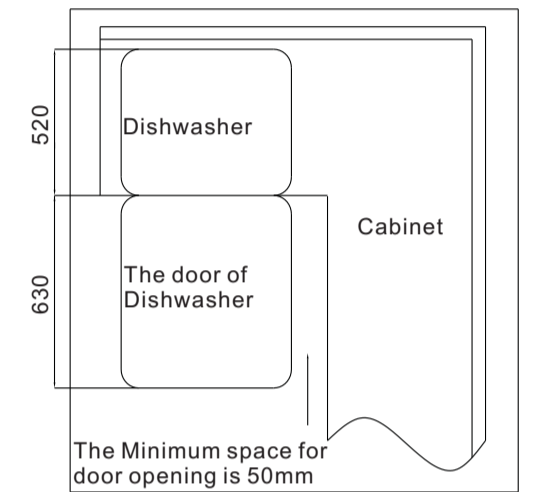
 Cut off the power before installing the dishwasher, or electric shock may occur

1 Before Installation

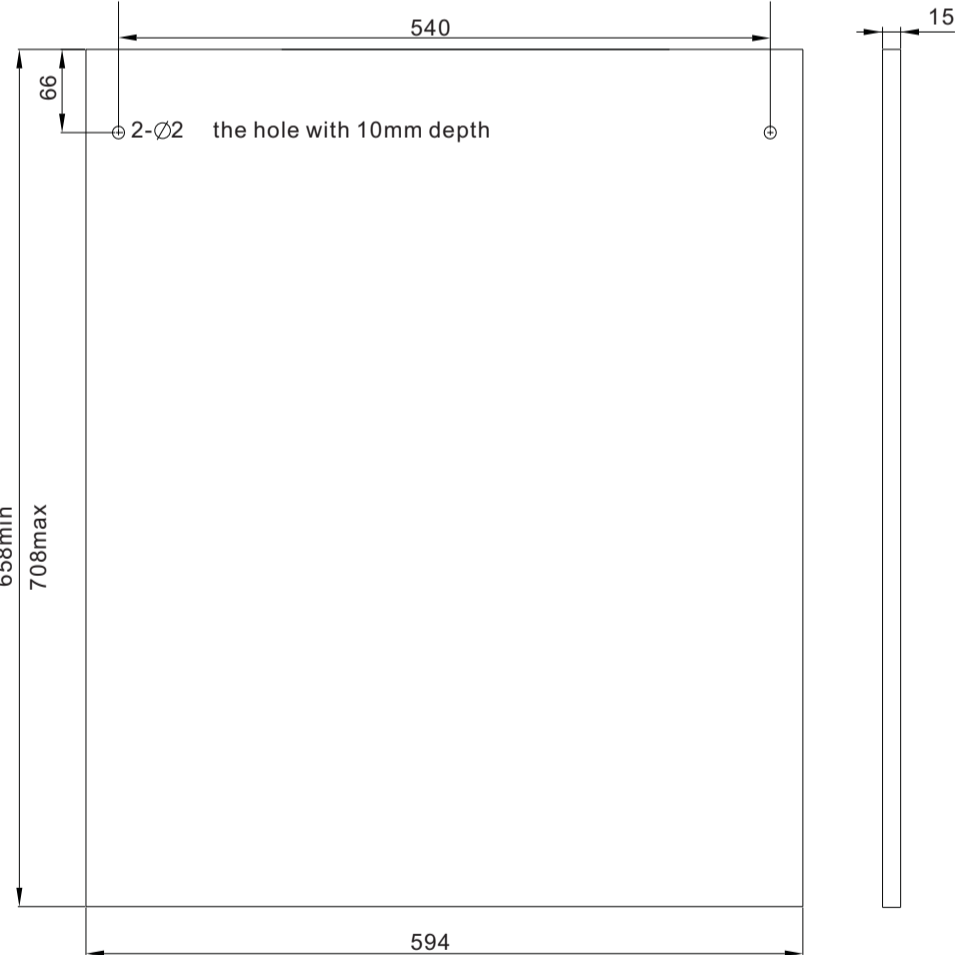
- Dishwasher place requirement. The back of dishwasher should face to the wall, and the dishwasher has inlet and outlet pipe, which can be connected on the right or left side conveniently.
- The dimensions of installation Cabinet



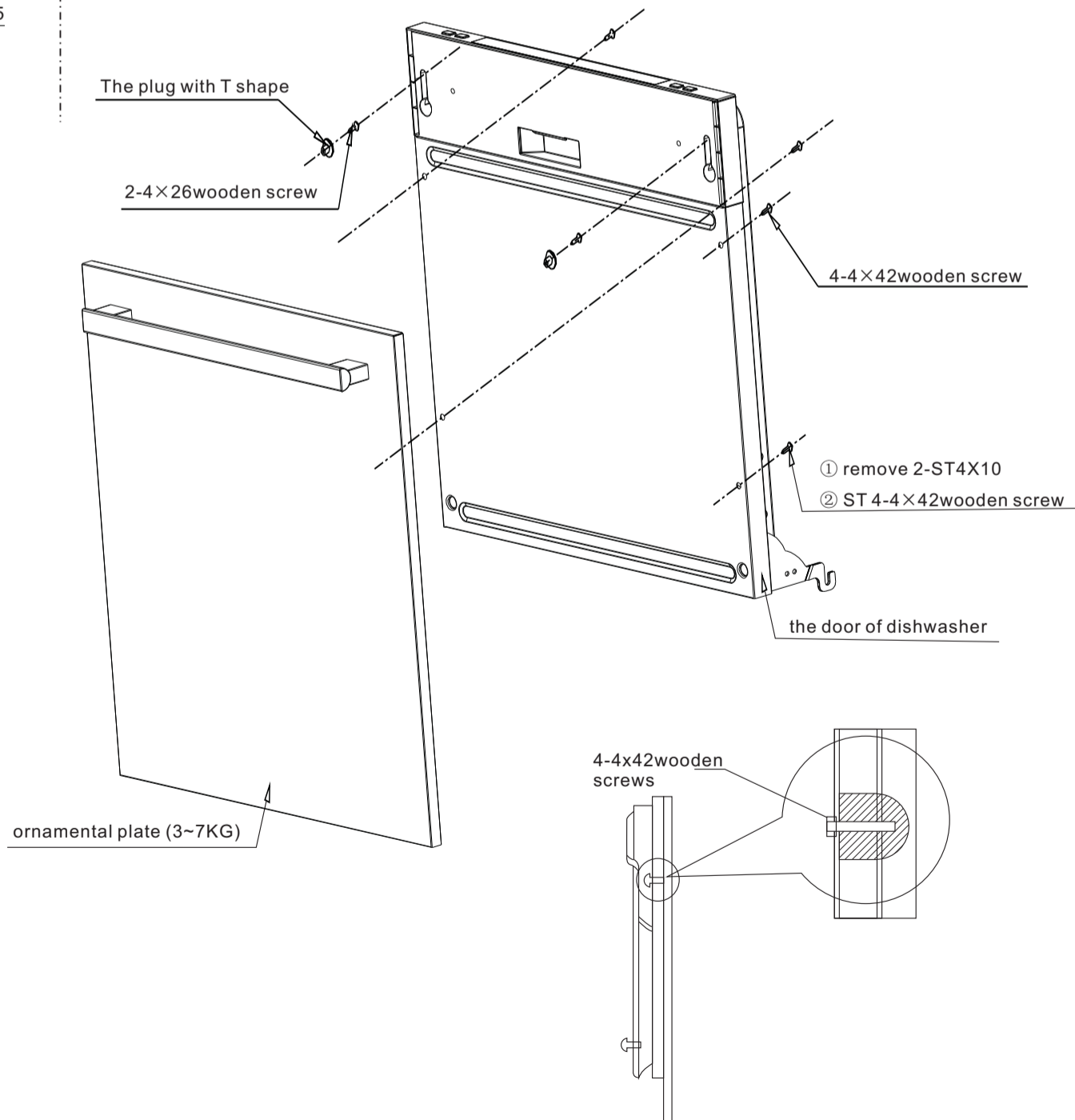
2 The minimum required space when the door open



3 The dimension of the front ornamental plate

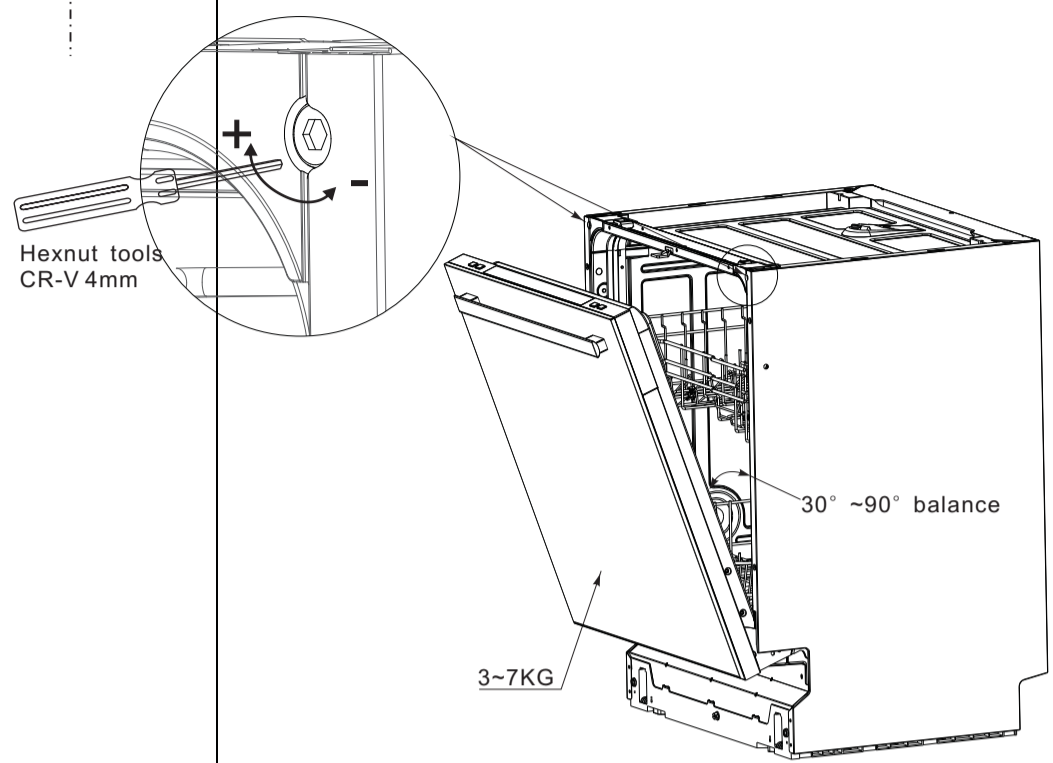


4 Fix the ornamental plate



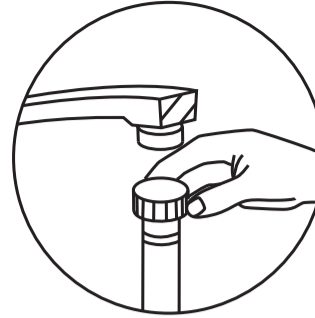
5 Tension Adjustment of the Door Spring

After placed the panel on the dishwasher, please try open and close the door to test the balance to check out whether the door can remain a same place. If not, please adjusting the screw in the direction of clockwise or counter-clockwise to adjust the balance of the door. Or it has been adjusted.



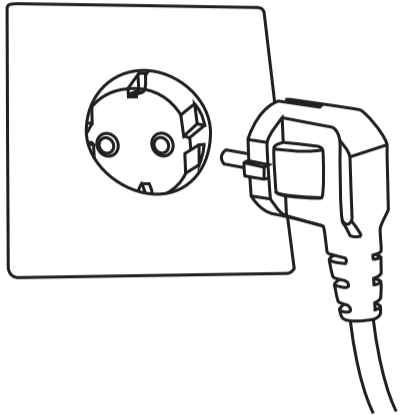
6 Connecting the water inlet hose(for cold water)

Connection the cold water supply hose to a threaded 3/4(inch) connector and make sure that it is fastened tightly in place. If the water hoses are new or have not been used for an extended period of time, let the water run to make sure that the water is clear and free of impurities. If this precaution is not taken, there is a risk that the water inlet can get blocked and the appliance could be damaged.



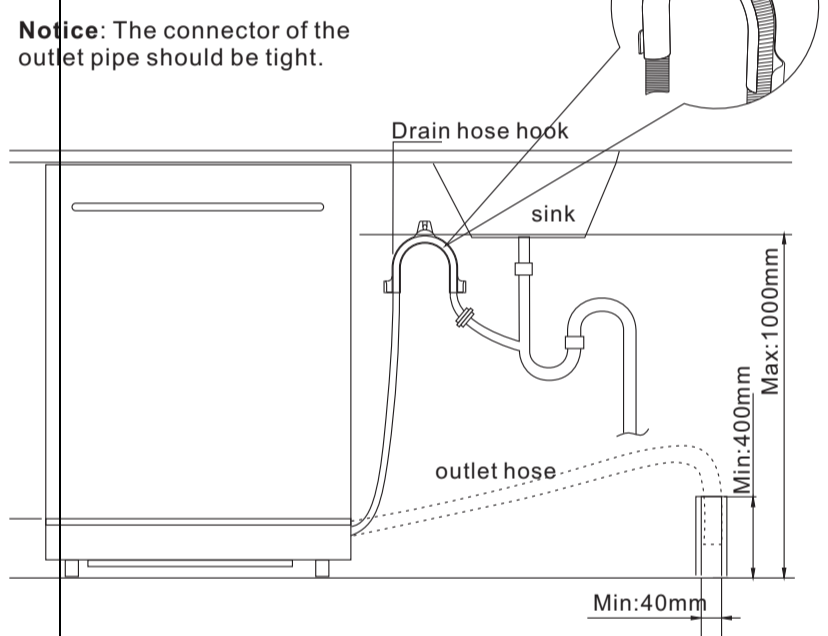
Electrical connection

Make sure the socket is compatible with the plug of the appliance. The socket must have earthing wire, and can hold 250V/10A, otherwise damage or accident may occur. Other electric appliance with big power can not use the same socket with the dishwasher.

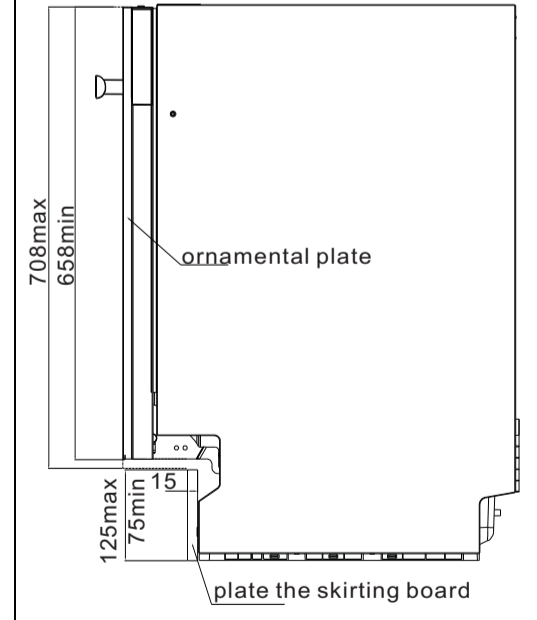


7 Connecting the water outlet hose

Put the hose into drainage hose which diameter is more than 40mm or into the sink, both should make sure the outlet pipe is straight, and the height of the end of pipe should be less than 1m.



9 Installation of skirting board

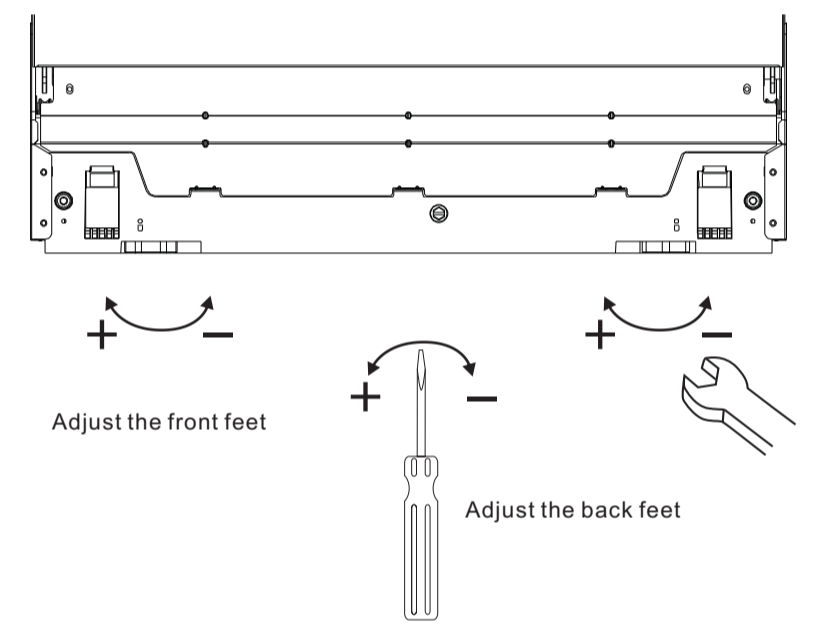


Referenced dimension		
serial number	ornamental plate	Plate to ornament the skirting board
1	708mm	75mm
2	698mm	85mm
3	688mm	95mm
4	678mm	105mm
5	668mm	115mm
6	658mm	125mm

Notice: The required height of the skirting board is as per the principle of aesthetic and opening closing the door smoothly. Please check the suggested chart for the reference.

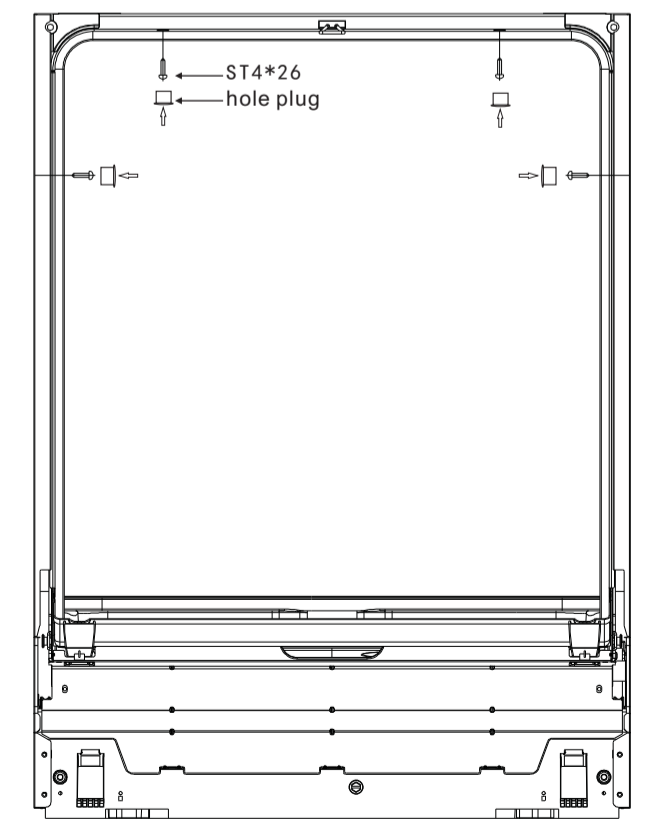
8 Level Adjustment

Allowable slope under entire dishwasher is 2 degree. Adjust the height by turning the feet to make sure the dishwasher is level.



10 Fixation of dishwasher

1. Fixing the dishwasher with the cabinet by turning the screws.
2. Plug the four hole plugs into the holes in the sketch map.



Dishwasher liner right and left side and the top 4 holes, use wood screws ST4*26 dishwasher fixed on the cabinet (self-tapping screws were matching)