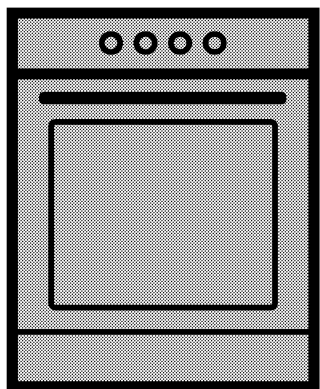


# Oven

## User manual



FSS57100GX

**EN | RU**

485.3018.31/R.AA/12.01.2018

## Please read this user manual first!

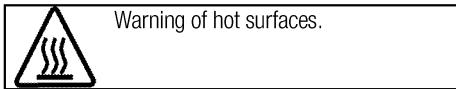
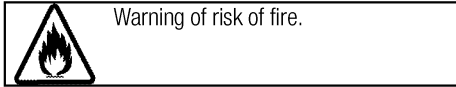
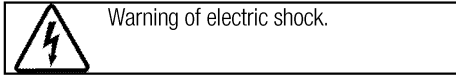
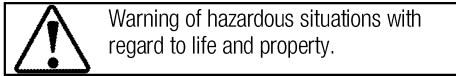
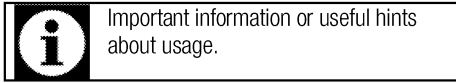
Dear Customer,

Thank you for purchasing this Beko product. We hope that you get the best results from your product which has been manufactured with high quality and state-of-the-art technology. Therefore, please read this entire user manual and all other accompanying documents carefully before using the product and keep it as a reference for future use. If you handover the product to someone else, give the user manual as well. Follow all warnings and information in the user manual.

Remember that this user manual is also applicable for several other models. Differences between models will be identified in the manual.

### Explanation of symbols

Throughout this user manual the following symbols are used:



**Arçelik A.Ş.**  
Karaağaç caddesi No:2-6  
34445 Sütlüce/Istanbul/TURKEY  
Made in TURKEY



This product was manufactured using the latest technology in environmentally friendly conditions.

## TABLE OF CONTENTS

### **1 Important instructions and warnings for safety and environment 4**

General safety .....	4
Electrical safety .....	4
Product safety .....	5
Intended use .....	8
Safety for children.....	8
Disposing of the old product.....	8
Package information .....	9

### **2 General information 10**

Overview .....	10
Package contents .....	11
Technical specifications .....	12

### **3 Installation 13**

Before installation .....	13
Installation and connection .....	14
Future Transportation.....	15

### **4 Preparation 16**

Tips for saving energy .....	16
Initial use.....	16
First cleaning of the appliance .....	16
Initial heating.....	16

### **5 How to use the hob 17**

General information about cooking .....	17
Using the hobs.....	17

### **6 How to operate the oven 19**

General information on baking, roasting and grilling.....	19
How to operate the electric oven .....	19
Operating modes.....	20
Using the oven clock .....	20
Cooking times table.....	21
How to operate the grill.....	22
Cooking times table for grilling.....	22

### **7 Maintenance and care 23**

General information.....	23
Cleaning the hob .....	23
Cleaning the control panel .....	23
Cleaning the oven .....	23
Removing the oven door .....	24
Removing the door inner glass .....	25
Replacing the oven lamp.....	26

### **8 Troubleshooting 27**

## **1 Important instructions and warnings for safety and environment**

This section contains safety instructions that will help protect from risk of personal injury or property damage. Failure to follow these instructions shall void any warranty.

### **General safety**

- This appliance can be used by children aged from 8 years and above and persons with reduced physical, sensory or mental capabilities or lack of experience and knowledge if they have been given supervision or instruction concerning use of the appliance in a safe way and understand the hazards involved.

Children shall not play with the appliance. Cleaning and user maintenance shall not be made by children without supervision.

- The appliance is not to be used by persons (including children) with reduced physical, sensory or mental capabilities, or lack of experience and knowledge, unless they have been given supervision or instruction. Children should be supervised and ensure they do not play with the appliance
- If the product is handed over to someone else for personal use or second-hand use purposes, the

user manual, product labels and other relevant documents and parts should be also given.

- Never place the product on a carpet-covered floor. Otherwise, lack of airflow beneath the product will cause electrical parts to overheat. This will cause problems with your product.
- Installation and repair procedures must always be performed by Authorised Service Agents. The manufacturer shall not be held responsible for damages arising from procedures carried out by unauthorised persons which may also void the warranty. Before installation, read the instructions carefully.
- Do not operate the product if it is defective or has any visible damage.
- Ensure that the product function knobs are switched off after every use.

### **Electrical safety**

- If the product has a failure, it should not be operated unless it is repaired by an Authorised Service Agent. There is the risk of electric shock!
- Only connect the product to a grounded outlet/line with the

voltage and protection as specified in the “Technical specifications”. Have the grounding installation made by a qualified electrician while using the product with or without a transformer. Our company shall not be liable for any problems arising due to the product not being earthed in accordance with the local regulations.

- Never wash the product by spreading or pouring water onto it! There is the risk of electric shock!
- The product must be disconnected during installation, maintenance, cleaning and repairing procedures.
- If the power connection cable for the product is damaged, it must be replaced by the manufacturer, its service agent or similarly qualified persons in order to avoid a hazard.
- The appliance must be installed so that it can be completely disconnected from the mains supply. The separation must be provided by a switch built into the fixed electrical installation, according to construction regulations.
- Rear surface of the oven gets hot when it is in use. Make sure that the electrical connection does not contact the rear surface;

otherwise, connections can get damaged.

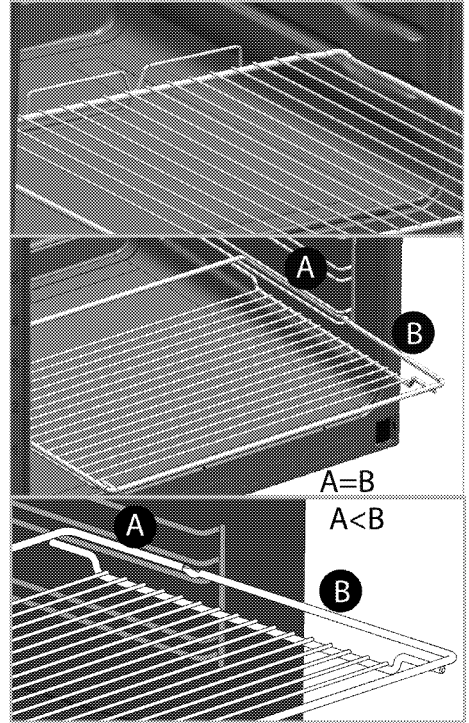
- Do not trap the mains cable between the oven door and frame and do not route it over hot surfaces. Otherwise, cable insulation may melt and cause fire as a result of short circuit.
- Any work on electrical equipment and systems should only be carried out by authorised and qualified persons.
- In case of any damage, switch off the product and disconnect it from the mains. To do this, turn off the fuse at home.
- Make sure that fuse rating is compatible with the product.

### **Product safety**

- **WARNING:** The appliance and its accessible parts become hot during use. Care should be taken to avoid touching heating elements. Children less than 8 years of age shall be kept away unless continuously supervised.
- Never use the product when your judgment or coordination is impaired by the use of alcohol and/or drugs.
- Be careful when using alcoholic drinks in your dishes. Alcohol evaporates at high temperatures and may cause fire since it can ignite when it comes into contact with hot surfaces.

- Food Poisoning Hazard: Do not let food sit in oven for more than 1 hour before or after cooking. Doing so can result in food poisoning or sickness.
- Do not place any flammable materials close to the product as the sides may become hot during use.
- During use the appliances becomes hot. Care should be taken to avoid touching heating elements inside the oven.
- Keep all ventilation slots clear of obstructions.
- Do not heat closed tins and glass jars in the oven. The pressure that would build-up in the tin/jar may cause it to burst.
- Do not place baking trays, dishes or aluminium foil directly onto the bottom of the oven. The heat accumulation might damage the bottom of the oven.
- Do not use harsh abrasive cleaners or sharp metal scrapers to clean the oven door glass since they can scratch the surface, which may result in shattering of the glass.
- Do not use steam cleaners to clean the appliance as this may cause an electric shock.
- (Varies depending on the product model.)

Placing the wire shelf and tray onto the wire racks properly  
It is important to place the wire shelf and/or tray onto the rack properly. Slide the wire shelf or tray between 2 rails and make sure that it is balanced before placing food on it (Please see the following figure).



- Do not use the product if the front door glass removed or cracked.
- Do not use the oven handle to hang towels for drying. Do not hang up towel, gloves, or similar textile products when the grill function is at open door.
- Always use heat resistant oven gloves when putting in or

removing dishes into/from the hot oven.

- Place the baking paper into the cooking pot or on to the oven accessory (tray, wire grill etc) together with the food and then insert all into the preheated oven. Remove the excess parts of the baking paper overflowing from the accessory or the pot in order to prevent the risk of touching the oven's heating elements. Never use the baking paper in an operating temperature higher than the indicated value for the baking paper. Do not place the baking paper directly on the base of the oven.
- **WARNING:** Ensure that the appliance is switched off before replacing the lamp to avoid the possibility of electric shock.
- The appliance must not be installed behind a decorative door in order to avoid overheating.
- Product must be placed directly on the floor. It must not be placed onto a base or a pedestal.
- **WARNING:** Unattended cooking on a hob with fat or oil can be dangerous and may result in fire. NEVER try to extinguish a fire with water, but switch off the appliance and then cover flame e.g. with a lid or a fire blanket.
- **CAUTION:** The cooking process has to be supervised. A short term cooking process has to be supervised continuously.
- **WARNING:** Danger of fire: Do not store items on the cooking surfaces.
- **WARNING:** If the surface is cracked, switch off the appliance to avoid the possibility of electric shock.
- In case of hotplate glass breakage : Immediately shut off all burners and any electrical heating element and isolate the appliance from the power supply. Do not touch the appliance surface. Do not use the appliance.
- The appliance is not intended to be operated by means of an external timer or separate remote-control system.
- Vapour pressure that build up due to the moisture on the hob surface or at the bottom of the pot can cause the pot to move. Therefore, make sure that the oven surface and bottom of the pots are always dry.
- **WARNING:** Use only hob guards designed by the manufacturer of the cooking appliance or indicated by the manufacturer of the appliance in the instructions for use as suitable or hob guards incorporated in the appliance. The

use of inappropriate guards can cause accidents.

Prevention against possible fire risk!

- Ensure all electrical connections are secure and tight to prevent risk of arcing.
- Do not use damaged cables or extension cables.
- Ensure liquid or moisture is not accessible to the electrical connection point.

### Intended use

- This product is designed for domestic use. Commercial use will void the guarantee.
- This appliance is for cooking purposes only. It must not be used for other purposes, for example room heating.
- This product should not be used for warming the plates under the grill, drying towels, dish cloths etc. by hanging them on the oven door handles. This product should also not be used for room heating purposes.
- The manufacturer shall not be liable for any damage caused by improper use or handling errors.
- The oven can be used for defrosting, baking, roasting and grilling food.

### Safety for children

- **WARNING:** Accessible parts may become hot during use. Young children should be kept away.

- The packaging materials will be dangerous for children. Keep the packaging materials away from children. Please dispose of all parts of the packaging according to environmental standards.
- Electrical products are dangerous to children. Keep children away from the product when it is operating and do not allow them to play with the product.
- Do not place any items above the appliance that children may reach for.
- When the door is open, do not load any heavy object on it and do not allow children to sit on it. It may overturn or door hinges may get damaged.

### Disposing of the old product

#### Compliance with the WEEE Directive and Disposing of the Waste Product:



This product complies with EU WEEE Directive (2012/19/EU). This product bears a classification center symbol for waste electrical and electronic equipment (WEEE).

This product has been manufactured with high quality parts and materials which can be reused and are suitable for recycling. Do not dispose of the waste product with normal domestic and other wastes at the end of its service life. Take it to the collection center for the recycling of electrical and electronic equipment. Please consult your local authorities to learn about these collection centers.

#### Compliance with RoHS Directive:

The product you have purchased complies with EU RoHS Directive (2011/65/EU). It does not contain harmful and prohibited materials specified in the Directive.

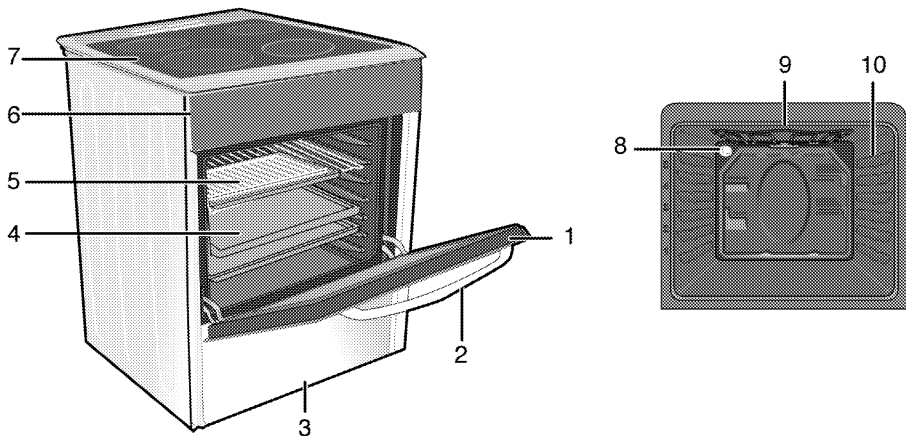


## **Package information**

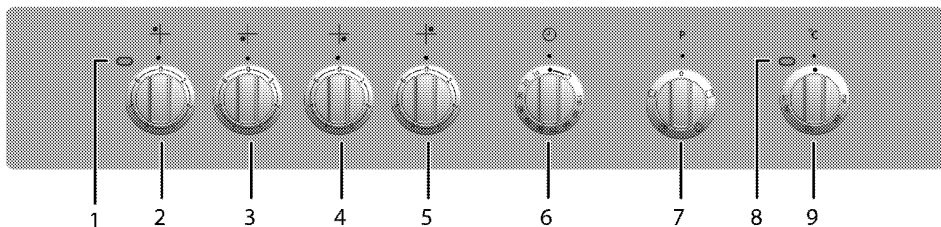
- Packaging materials of the product are manufactured from recyclable materials in accordance with our National Environment Regulations. Do not dispose of the packaging materials together with the domestic or other wastes. Take them to the packaging material collection points designated by the local authorities.

## 2 General information

### Overview



- |   |            |    |                       |
|---|------------|----|-----------------------|
| 1 | Front door | 6  | Control panel         |
| 2 | Handle     | 7  | Burner plate          |
| 3 | Lower part | 8  | Lamp                  |
| 4 | Tray       | 9  | Grill heating element |
| 5 | Wire shelf | 10 | Shelf positions       |



- |   |  |
|---|--|
| 1 | Warning lamp                             |
| 2 | Single-circuit cooking plate Rear left   |
| 3 | Single-circuit cooking plate Front left  |
| 4 | Single-circuit cooking plate Front right |
| 5 | Single-circuit cooking plate Rear right  |
| 6 | Mechanical timer                         |
| 7 | Function knob                            |
| 8 | Thermostat lamp                          |
| 9 | Thermostat knob                          |

## Package contents

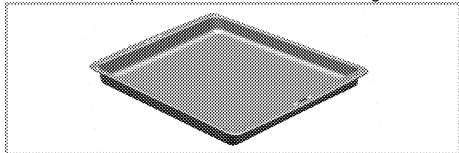


Accessories supplied can vary depending on the product model. Not every accessory described in the user manual may exist on your product.

1. **User manual**

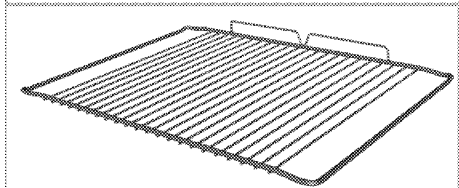
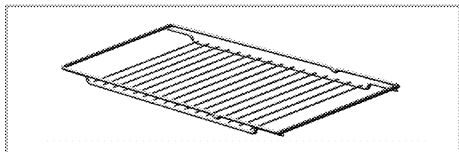
2. **Oven tray**

Used for pastries, frozen foods and big roasts.



3. **Wire Shelf**

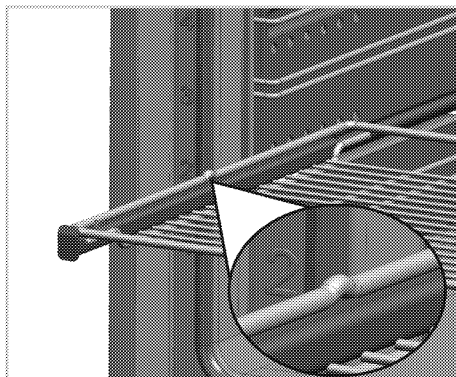
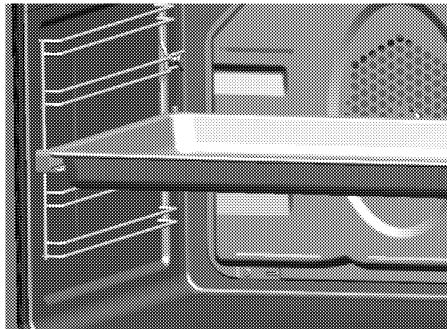
Used for roasting and for placing the food to be baked, roasted or cooked in casserole dishes to the desired rack.



4. **Placing the wire shelf and tray onto the telescopic racks properly**  
**(This feature is optional. It may not exist on your product.)**

Telescopic racks allow you to install and remove the trays and wire shelf easily.

When using the tray and wire shelf with telescopic racks, make sure that the pins at the rear section of the telescopic rack stands against the edges of the wire shelf and tray.



## Technical specifications

GENERAL	
External dimensions (height / width / depth)	850 mm/500 mm/600 mm
Voltage / frequency	220-240 V ~ 50 Hz
Total power consumption	7.7 kW
Fuse	25 A
Cable type / section	min.H05W-FG 3 x 2,5 mm <sup>2</sup>
HOB	
Burners	
Rear left	<b>Single-circuit cooking plate</b>
Dimension	140 mm
Power	1200 W
Front left	<b>Single-circuit cooking plate</b>
Dimension	180 mm
Power	1700 W
Front right	<b>Single-circuit cooking plate</b>
Dimension	140 mm
Power	1200 W
Rear right	<b>Single-circuit cooking plate</b>
Dimension	180 mm
Power	1700 W
OVEN/GRILL	
<b>Main oven</b>	Conventional oven
Inner lamp	15-25 W
Grill power consumption	1.6 kW

\* Basics: Information on the energy label of electrical ovens is given in accordance with the EN 60350-1 / IEC 60350-1 standard. Those values are determined under standard load with bottom-top heater or fan assisted heating (if any) functions.

Energy efficiency class is determined in accordance with the following prioritization depending on whether the relevant functions exist on the product or not. 1-Cooking with eco-fan, 2- Turbo slow cooking, 3- Turbo cooking, 4- Fan assisted bottom/top heating, 5-Top and bottom heating.



Technical specifications may be changed without prior notice to improve the quality of the product.




Figures in this manual are schematic and may not exactly match your product.





Values stated on the product labels or in the documentation accompanying it are obtained in laboratory conditions in accordance with relevant standards. Depending on operational and environmental conditions of the product, these values may vary.

### 3 Installation

Product must be installed by a qualified person in accordance with the regulations in force. The manufacturer shall not be held responsible for damages arising from procedures carried out by unauthorized persons which may also void the warranty.

 Preparation of location and electrical installation for the product is under customer's responsibility.

 **DANGER:**  
The product must be installed in accordance with all local electrical regulations.

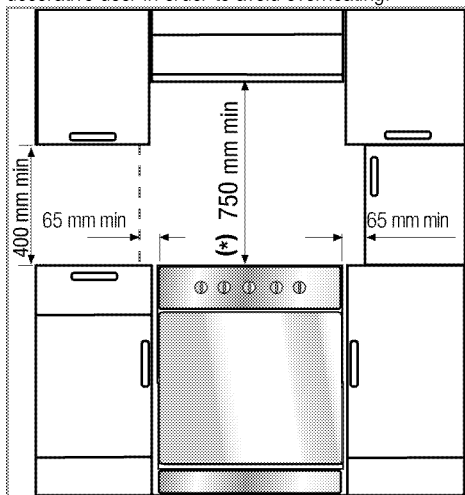
 **DANGER:**  
Prior to installation, visually check if the product has any defects on it. If so, do not have it installed.  
Damaged products cause risks for your safety.

#### Before installation

To ensure that critical air gaps are maintained under the appliance, we recommend that this appliance is mounted on a solid base and that the feet do not sink into any carpet or soft flooring.

The kitchen floor must be able to carry the weight of the appliance plus the additional weight of cookware and bakeware and food.

If the range is placed on a base, measures have to be taken to prevent the appliance slipping from the base. The appliances must not be installed behind a decorative door in order to avoid overheating.

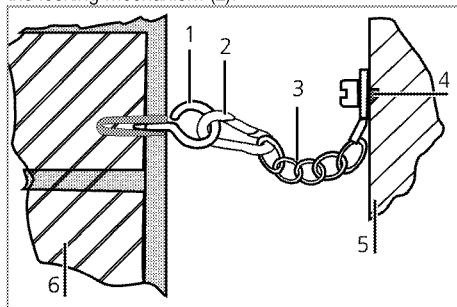


- It can be used with cabinets on either side but in order to have a minimum distance of 400mm above hotplate level allow a side clearance of 65mm between the appliance and any wall, partition or tall cupboard.
- It can also be used in a free standing position. Allow a minimum distance of 750 mm above the hob surface.
- (\*) If a cooker hood is to be installed above the cooker, refer to cooker hood manufacturer' instructions regarding installation height (min 650 mm).
- The appliance corresponds to device class 1, i.e. it may be placed with the rear and **one** side to kitchen walls, kitchen furniture or equipment of any size. The kitchen furniture or equipment on the **other** side may only be of the same size or smaller.
- Any kitchen furniture next to the appliance must be heat-resistant (100 °C min.).

#### Safety chain

**If your product has 2 safety chains;**

The appliance must be secured against overbalancing by using the supplied two safety chains on your oven. Fasten hook (1) by using a proper peg to the kitchen wall (6) and connect safety chain (3) to the hook via the locking mechanism (2).

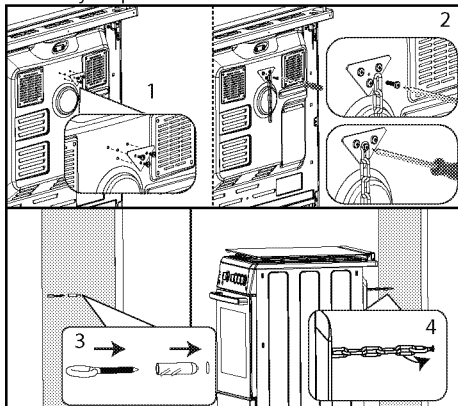


- 1 Stability hook
- 2 Locking mechanism
- 3 Safety chain (supplied and mounted to oven)
- 4 Firmly fix chain to cooker rear
- 5 Rear of cooker
- 6 Kitchen wall

**If your product has 1 safety chain;**

The appliance must be secured against overbalancing by using the supplied one safety chain on your oven.

Follow below steps in the picture to secure the safety chain to your product.



**i** Stability chain to be as short as practicable to avoid oven tilting forward and diagonal to avoid oven side tilting.

Cooker stability chain for cookers is not designed with bracket engagement slot.

## Installation and connection

Product can only be installed and connected in accordance with the statutory installation rules.

**i** Do not install the product next to refrigerators or freezers. The heat emitted by the product will increase the energy consumption of cooling appliances.

- Carry the product with at least two persons.
- Product must be placed directly on the floor. It must not be placed onto a base or a pedestal.

**i** Do not use the door and/or handle to carry or move the product. The door, handle or hinges get damaged.

## Electrical connection

Connect the product to a grounded outlet/line protected by a miniature circuit breaker of suitable capacity as stated in the "Technical specifications" table. Have the grounding installation made by a qualified electrician while using the product with or without a transformer. Our company shall not be liable for any damages that will arise due to using the product without a grounding installation in accordance with the local regulations.

**DANGER:**  
The product must be connected to the mains supply only by an authorised and qualified person. The product's warranty period starts only after correct installation. Manufacturer shall not be held responsible for damages arising from procedures carried out by unauthorised persons.

**DANGER:**  
The power cable must not be clamped, bent or trapped or come into contact with hot parts of the product.  
A damaged power cable must be replaced by a qualified electrician. Otherwise, there is risk of electric shock, short circuit or fire!

The mains supply data must correspond to the data specified on the type label of the product. The rating plate is either seen when the door or the lower cover is opened or it is located at the rear wall of the unit depending on the unit type.  
Power cable of your product must comply with the values in "Technical specifications" table.

**DANGER:**  
Before starting any work on the electrical installation, disconnect the product from the mains supply.  
There is the risk of electric shock!

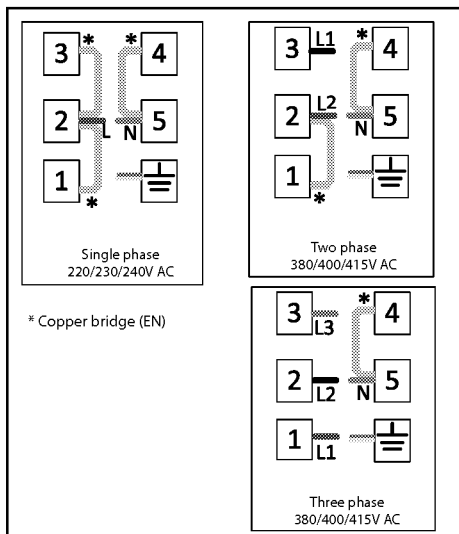
## Connecting the power cable

**i** While performing the wiring, you must apply with the national/local electrical regulations and must use the appropriate socket outlet/line and plug for oven. In case of the product's power limits are out of current carrying capability of plug and socket outlet/line, the product must be connected through fixed electrical installation directly without using plug and socket outlet/line.

1. If it is not possible to disconnect all poles in the supply power, a disconnection unit with at least 3 mm contact clearance (fuses, line safety switches, contactors) must be connected and all the poles of this disconnection unit must be adjacent to (not above) the product in accordance with IEE directives. Failure to obey this instruction may cause operational problems and invalidate the product warranty.

Additional protection by a residual current circuit breaker is recommended.

**If a cable is supplied with the product:**



2. **For single-phase connection**, connect as identified below:

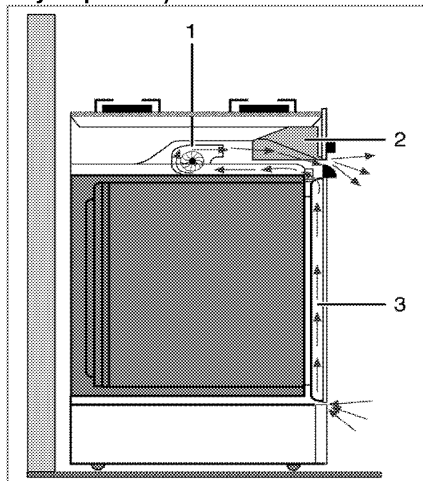
- Brown cable = L (Phase)
- Blue cable = N (Neutral)
- Green/yellow cable = (E) (Ground)
- Push the product towards the kitchen wall.

### • Adjusting the feet of oven

Vibrations during use may cause cooking vessels to move. This dangerous situation can be avoided if the product is level and balanced.

For your own safety please ensure the product is level by adjusting the four feet at the bottom by turning left or right and align level with the work top.

**For products with cooling fan (It may not exist on your product.)**



- 1 Cooling fan
- 2 Control panel
- 3 Door

The cooling fan cools both the control panel and the front of the appliance.



Cooling fan continues to run for up to 20-30 minutes (approx.) even after the oven is turned off.

### Final check

1. Reconnect the product to the mains.
2. Check electrical functions.

### Future Transportation

- Keep the product's original carton and transport the product in it. Follow the instructions on the carton. If you do not have the original carton, pack the product in bubble wrap or thick cardboard and tape it securely.
- To prevent the wire grill and tray inside the oven from damaging the oven door, place a strip of cardboard onto the inside of the oven door that lines up with the position of the trays. Tape the oven door to the side walls.
- Do not use the door or handle to lift or move the product.



Do not place any objects onto the product and move it in upright position.



Check the general appearance of your product for any damages that might have occurred during transportation.

## 4 Preparation

### Tips for saving energy

The following information will help you to use your appliance in an ecological way, and to save energy:

- Use dark coloured or enamel coated cookware in the oven since the heat transmission will be better.
- While cooking your dishes, perform a preheating operation if it is advised in the user manual or cooking instructions.
- Do not open the door of the oven frequently during cooking.
- Try to cook more than one dish in the oven at the same time whenever possible. You can cook by placing two cooking vessels onto the wire shelf.
- Cook more than one dish one after another. The oven will already be hot.
- You can save energy by switching off your oven a few minutes before the end of the cooking time. Do not open the oven door.
- Defrost frozen dishes before cooking them.
- Use pots/pans with cover for cooking. If there is no cover, energy consumption may increase 4 times.
- Select the burner which is suitable for the bottom size of the pot to be used. Always select the correct pot size for your dishes. Larger pots require more energy.
- Pay attention to use flat bottom pots when cooking with electric hobs. Pots with thick bottom will provide a better heat conduction. You can obtain energy savings up to 1/3.
- Vessels and pots must be compatible with the cooking zones. Bottom of the vessels or pots must not be smaller than the hotplate.
- Keep the cooking zones and bottom of the pots clean. Dirt will decrease the heat conduction between the cooking zone and bottom of the pot.
- For long cookings, turn off the cooking zone 5 or 10 minutes before the end of cooking time. You can obtain energy savings up to 20% by using the residual heat.

### Initial use

#### First cleaning of the appliance



The surface might get damaged by some detergents or cleaning materials.

Do not use aggressive detergents, cleaning powders/creams or any sharp objects during cleaning.

Do not use harsh abrasive cleaners or sharp metal scrapers to clean the oven door glass since they can scratch the surface, which may result in shattering of the glass.

1. Remove all packaging materials.
2. Wipe the surfaces of the appliance with a damp cloth or sponge and dry with a cloth.

#### Initial heating

Heat up the product for about 30 minutes and then switch it off. Thus, any production residues or layers will be burnt off and removed.



#### WARNING

Hot surfaces cause burns!

Product may be hot when it is in use. Never touch the hot burners, inner sections of the oven, heaters and etc. Keep children away. Always use heat resistant oven gloves when putting in or removing dishes into/from the hot oven.

#### Electric oven

1. Take all baking trays and the wire grill out of the oven.
2. Close the oven door.
3. Select Static position.
4. Select the highest grill power; See *How to operate the electric oven*, page 19.
5. Operate the oven for about 30 minutes.
6. Turn off your oven; See *How to operate the electric oven*, page 19

#### Grill oven

1. Take all baking trays and the wire grill out of the oven.
2. Close the oven door.
3. Select the highest grill power; see *How to operate the grill*, page 22.
4. Operate the grill about 30 minutes.
5. Turn off your grill; see *How to operate the grill*, page 22



Smoke and smell may emit for a couple of hours during the initial operation. This is quite normal. Ensure that the room is well ventilated to remove the smoke and smell. Avoid directly inhaling the smoke and the smell that emits.



## 5 How to use the hob

### General information about cooking



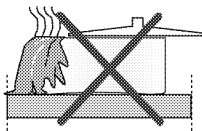
Never fill the pan with oil more than one third of it. Do not leave the hob unattended when heating oil. Overheated oils bring risk of fire. **Never attempt to extinguish a possible fire with water!** When oil catches fire, cover it with a fire blanket or damp cloth. Turn off the hob if it is safe to do so and call the fire department.

- Before frying foods, always dry them well and gently place into the hot oil. Ensure complete thawing of frozen foods before frying.
- Do not cover the vessel you use when heating oil.
- Place the pans and saucepans in a manner so that their handles are not over the hob to prevent heating of the handles. Do not place unbalanced and easily tilting vessels on the hob.
- Do not place empty vessels and saucepans on cooking zones that are switched on. They might get damaged.
- Operating a cooking zone without a vessel or saucepan on it will cause damage to the product. Turn off the cooking zones after the cooking is complete.
- As the surface of the product can be hot, do not put plastic and aluminum vessels on it. Clean any melted such materials on the surface immediately. Such vessels should not be used to keep foods either.
- Use flat bottomed saucepans or vessels only.
- Put appropriate amount of food in saucepans and pans. Thus, you will not have to make any unnecessary cleaning by preventing the dishes from overflowing. Do not put covers of saucepans or pans on cooking zones. Place the saucepans in a manner so that they are centered on the cooking zone. When you want to move the saucepan onto another cooking zone, lift and place it onto the cooking zone you want instead of sliding it.

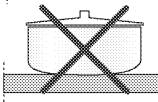
### Tips about glass ceramic hobs

- Glass ceramic surface is heatproof and is not affected by big temperature differences.

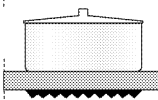
- Do not use the glass ceramic surface as a place of storage or as a cutting board.
- Use only the saucepans and pans with machined bottoms. Sharp edges create scratches on the surface.
- Do not use aluminum vessels and saucepans. Aluminum damages the glass ceramic surface.



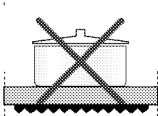
Spills may damage the glass ceramic surface and cause fire.



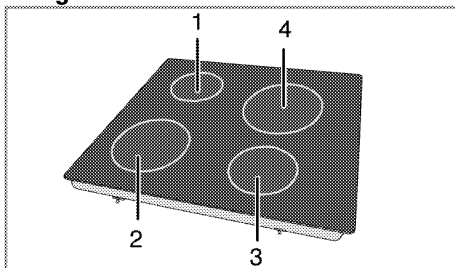
Do not use vessels with concave or convex bottoms.



Use only the saucepans and pans with flat bottoms. They ensure easier heat transfer. If the diameter of the saucepan is too small, energy will be wasted.



### Using the hobs

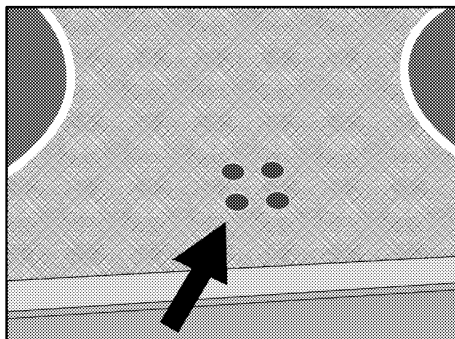


- 1 Single-circuit cooking plate 14-16 cm
- 2 Single-circuit cooking plate 18-20 cm
- 3 Single-circuit cooking plate 14-16 cm
- 4 Single-circuit cooking plate 18-20 cm is list of advised diameter of pots to be used on related burners.

**DANGER:**

Do not allow any object to drop on the hob. Even small objects such as a saltshaker may damage the hob.

Do not use cracked hobs. Water may leak through these cracks and cause short circuit. In case of any kind of damage on the surface (eg., visible cracks), switch off the product immediately to minimize the risk of electric shock.

**Turning on the ceramic plates**

The hob control knobs are used for operating the plates. To obtain the desired cooking power, turn the hob control knobs to the corresponding level.

Cooking level	1	2 — 3	4 — 6
	warming	stewing, simmering	cooking, roasting, boiling

**Turning off the ceramic plates**

Turn the plate knob to OFF (upper) position.

## 6 How to operate the oven

### General information on baking, roasting and grilling



#### WARNING

Hot surfaces cause burns!  
Product may be hot when it is in use. Never touch the hot burners, inner sections of the oven, heaters and etc. Keep children away. Always use heat resistant oven gloves when putting in or removing dishes into/from the hot oven.



#### DANGER:

Be careful when opening the oven door as steam may escape.  
Exiting steam can scald your hands, face and/or eyes.

#### Tips for baking

- Use non-sticky coated appropriate metal plates or aluminum vessels or heat-resistant silicone moulds.
- Make best use of the space on the rack.
- Place the baking mould in the middle of the shelf.
- Select the correct rack position before turning the oven or grill on. Do not change the rack position when the oven is hot.
- Keep the oven door closed.

#### Tips for roasting

- Treating whole chicken, turkey and large piece of meat with dressings such as lemon juice and black pepper before cooking will increase the cooking performance.
- It takes about 15 to 30 minutes longer to roast meat with bones when compared to roasting the same size of meat without bones.
- Each centimeter of meat thickness requires approximately 4 to 5 minutes of cooking time.
- Let meat rest in the oven for about 10 minutes after the cooking time is over. The juice is better distributed all over the roast and does not run out when the meat is cut.
- Fish should be placed on the middle or lower rack in a heat-resistant plate.

#### Tips for grilling

When meat, fish and poultry are grilled, they quickly get brown, have a nice crust and do not get dry. Flat pieces, meat skewers and sausages are particularly suited for grilling as are vegetables with high water content such as tomatoes and onions.

- Distribute the pieces to be grilled on the wire shelf or in the baking tray with wire shelf in such a way that the space covered does not exceed the size of the heater.
- Slide the wire shelf or baking tray with grill into the desired level in the oven. If you are grilling on the wire shelf, slide the baking tray to the lower rack to collect fats. Add some water in the tray for easy cleaning.

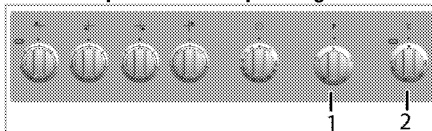


Foods that are not suitable for grilling carry the risk of fire. Only grill food which is suitable for intensive grilling heat.

Do not place the food too far in the back of the grill. This is the hottest area and fatty food may catch fire.

### How to operate the electric oven

#### Select temperature and operating mode



1 Function knob

2 Thermostat knob

1. Set the oven timer to the desired cooking time; see .
2. Set the Function knob to the desired operating mode.
3. Set the Temperature knob to the desired temperature.

» Oven heats up to the adjusted temperature and maintains it. During heating, temperature lamp stays on.

#### Switching off the electric oven

Switch the oven timer to off position.



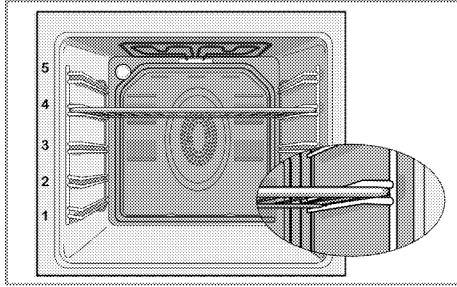
When the timer is set to a certain time, it will turn off automatically; see

Turn the function knob and temperature knob to off (upper) position.

#### Rack positions (For models with wire shelf)

It is important to place the wire shelf onto the side rack correctly. Wire shelf must be inserted between the side racks as illustrated in the figure.

Do not let the wire shelf stand against the rear wall of the oven. Slide your wire shelf to the front section of the rack and settle it with the help of the door in order to obtain a good grill performance.



### Operating modes

The order of operating modes shown here may be different from the arrangement on your product.

#### Top and bottom heating



Top and bottom heating are in operation. Food is heated simultaneously from the top and bottom. For example, it is suitable for cakes, pastries, or cakes and casseroles in baking moulds. Cook with one tray only.

#### Bottom heating



Only bottom heating is in operation. It is suitable for pizza and for subsequent browning of food from the bottom.



This function must be used for easy steam cleaning as well.

#### Grill



Small grill at the ceiling of the oven is in operation. Suitable for grilling.

- Put small or medium-sized portions in correct shelf position under the grill heater for grilling.
- Set the temperature to maximum level.
- Turn the food after half of the grilling time.

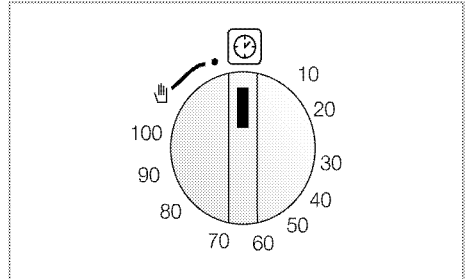
#### Full grill



Large grill at the ceiling of the oven is in operation. It is suitable for grilling large amount of meat.

- Put big or medium-sized portions in correct rack position under the grill heater for grilling.
- Set the temperature to maximum level.
- Turn the food after half of the grilling time.

#### Using the oven clock



#### Starting the cooking



In order to operate the oven, you must select cooking mode and the desired temperature and set the time. Otherwise, the oven will not operate.

1. Turn the Time Adjustment knob clockwise to set the cooking time.
2. Put your dish into the oven.
3. Select operation mode and temperature; see *How to operate the electric oven, page 19*.

» The oven will be heated up to the preset temperature and will maintain this temperature until the end of the cooking time you selected.

4. Once the cooking time is over, Time Setting knob will automatically rotate counterclockwise. A warning sound indicating that the set time is over is heard and the power is cut.



If you do not want to use the timer function, turn the knob counterclockwise towards the hand symbol.

5. Turn off the oven with the Time Setting knob, function knob and temperature knob.

#### Turning off the oven before the set time

1. Turn the Time Adjustment knob counterclockwise until it stops.
2. Turn off the oven with the Function knob and Temperature knob.

## Cooking times table



The timings in this chart are meant as a guide. Timings may vary due to temperature of food, thickness, type and your own preference of cooking.

## Baking and roasting



1st rack of the oven is the **bottom** rack.

Dish	Cooking level number		Rack position	Temperature (°C)	Cooking time (approx. in min.)
**Cakes in tray	One level		3	175	30 ... 45
**Cakes in mould	One level		3	175	30 ... 50
**Cakes in cooking paper	One level		3	160 ... 170	20 ... 30
**Sponge cake	One level		3	180 ... 200	10 ... 20
**Cookies	One level		3	160 ... 170	20 ... 30
**Dough pastry	One level		3	200	20 ... 30
**Rich pastry	One level		3	190	25 ... 35
**Leaven	One level		3	190	20 ... 40
**Lasagna	One level		2	180	25 ... 45
**Pizza	One level		2	200	15 ... 25
Beef steak (whole) / Roast	One level		2	25 min. 220, then 180 ... 190	80 ... 120
Leg of Lamb (casserole)	One level		2	25 min. 220, then 180 ... 190	70 ... 100
Roasted chicken	One level		2	15 min. 220, then 190	55 ... 75
Turkey (Sliced)	One level		2	25 min. 220, then 190	70 ... 120
Fish	One level		3	200	20 ... 30

(\*\*) In a cooking that requires preheating, preheat at the beginning of cooking until the oven reached to adjusted temperature.

### Tips for baking cake

- If the cake is too dry, increase the temperature by 10°C and decrease the cooking time.
- If the cake is wet, use less liquid or lower the temperature by 10°C.
- If the cake is too dark on top, place it on a lower rack, lower the temperature and increase the cooking time.
- If cooked well on the inside but sticky on the outside use less liquid, lower the temperature and increase the cooking time.

### Tips for baking pastry

- If the pastry is too dry, increase the temperature by 10°C and decrease the cooking time. Dampen the layers of dough with a sauce composed of milk, oil, egg and yoghurt.
- If the pastry takes too long to bake, pay care that the thickness of the pastry you have prepared does not exceed the depth of the tray.
- If the upper side of the pastry gets browned, but the lower part is not cooked, make sure that the amount of sauce you have used for the pastry is not too much at the bottom of the pastry. Try to scatter the sauce equally between the dough

layers and on the top of pastry for an even browning.



Cook the pastry in accordance with the mode and temperature given in the cooking table. If the bottom part is still not browned enough, place it on one lower rack next time.

### Tips for cooking vegetables

- If the vegetable dish runs out of juice and gets too dry, cook it in a pan with a lid instead of a tray. Closed vessels will preserve the juice of the dish.
- If a vegetable dish does not get cooked, boil the vegetables beforehand or prepare them like canned food and put in the oven.

## How to operate the grill



### WARNING

Close oven door during grilling.  
Hot surfaces may cause burns!

- Turn the Time Adjustment knob counter clockwise to Hand symbol when grilling.

### Switching on the grill

1. Turn the Function knob to the desired grill symbol.
2. Then, select the desired grilling temperature.
3. If required, perform a preheating of about 5 minutes.

» Temperature light turns on.

### Switching off the grill

1. Turn the Function knob to Off (top) position.



Foods that are not suitable for grilling carry the risk of fire. Only grill food which is suitable for intensive grilling heat.

Do not place the food too far in the back of the grill. This is the hottest area and fatty food may catch fire.

## Cooking times table for grilling

### Grilling with electric grill

Food	Insertion level	Grilling time (approx.)
Fish	4...5	20...25 min. <sup>#</sup>
Sliced chicken	4...5	25...35 min.
Lamb chops	4...5	20...25 min.
Roast beef	4...5	25...30 min. <sup>#</sup>
Veal chops	4...5	25...30 min. <sup>#</sup>
Toast bread	4	1...2 min.

<sup>#</sup> depending on thickness

## 7 Maintenance and care

### General information

Service life of the product will extend and the possibility of problems will decrease if the product is cleaned at regular intervals.



#### DANGER:

Disconnect the product from mains supply before starting maintenance and cleaning works.  
There is the risk of electric shock!



#### DANGER:

Allow the product to cool down before you clean it.  
Hot surfaces may cause burns!

- Clean the product thoroughly after each use. In this way it will be possible to remove cooking residues more easily, thus avoiding these from burning the next time the appliance is used.
- No special cleaning agents are required for cleaning the product. Use warm water with washing liquid, a soft cloth or sponge to clean the product and wipe it with a dry cloth.
- Always ensure any excess liquid is thoroughly wiped off after cleaning and any spillage is immediately wiped dry.
- Do not use cleaning agents that contain acid or chloride to clean the stainless or inox surfaces and the handle. Use a soft cloth with a liquid detergent (not abrasive) to wipe those parts clean, paying attention to sweep in one direction.



The surface might get damaged by some detergents or cleaning materials.  
Do not use aggressive detergents, cleaning powders/creams or any sharp objects during cleaning.

Do not use harsh abrasive cleaners or sharp metal scrapers to clean the oven door glass since they can scratch the surface, which may result in shattering of the glass.



Do not use steam cleaners to clean the appliance as this may cause an electric shock.

### Cleaning the hob

#### Glass ceramic surfaces

Wipe the glass ceramic surface using a piece of cloth dampened with cold water in a manner as not to leave any cleaning agent on it. Dry with a soft and dry cloth.

Residues may cause damage on the glass ceramic surface when using the hob for the next time. Dried residues on the glass ceramic surface should under no circumstances be scraped with hook blades, steel wool or similar tools.  
Remove calcium stains (yellow stains) by a small amount of lime remover such as vinegar or lemon juice. You can also use suitable commercially available products.

If the surface is heavily soiled, apply the cleaning agent on a sponge and wait until it is absorbed well. Then, clean the surface of the hob with a damp cloth.



Sugar-based foods such as thick cream and syrup must be cleaned promptly without waiting the surface to cool down. Otherwise, glass ceramic surface may be damaged permanently.

Slight color fading may occur on coatings or other surfaces in time. This will not affect operation of the product.

Color fading and stains on the glass ceramic surface is a normal condition, and not a defect.

### Cleaning the control panel

Clean the control panel and knobs with a damp cloth and wipe them dry.



Do not remove the control buttons/knobs to clean the control panel.  
Control panel may get damaged!



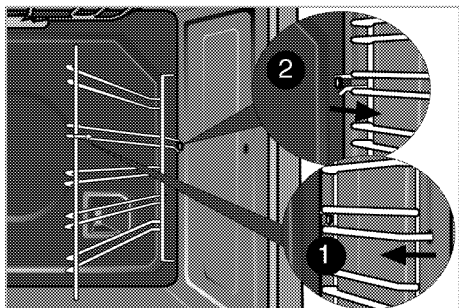
Do not remove the control buttons/knobs to clean the control panel.  
Control panel may get damaged!

### Cleaning the oven

#### To clean the side wall

(This feature is optional. It may not exist on your product.)

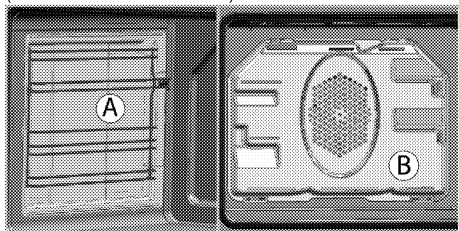
1. Remove the front section of the side rack by pulling it in the opposite direction of the side wall.
2. Remove the side rack completely by pulling it towards you.



### Catalytic walls

(This feature is optional. It may not exist on your product.)

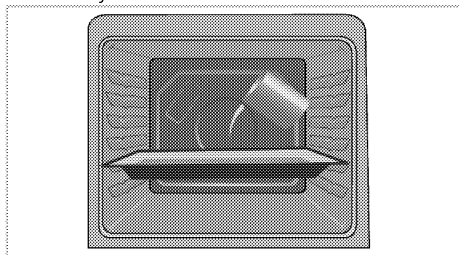
The inner side walls (A) and/or the rear wall (B) of your product may be coated with catalytic enamel. Catalytic walls have a light matte colour and a porous surface. Catalytic walls of the oven should not be cleaned. Porous surfaces of the catalytic walls are automatically cleaned by absorbing and converting the spilled oil (steam and carbon dioxide).



### Easy Steam Cleaning

It ensures easy cleaning because the dirt (having waited not for too long) is softened with the steam that forms inside the oven and the water drops condensing on the inner surfaces of the oven.

1. Remove all accessories inside the oven.
2. Pour 500 ml of water into the oven tray and place the tray at the 2nd rack of the oven.

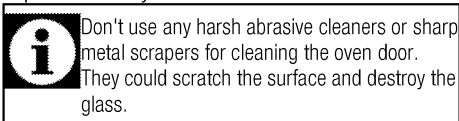


3. Set the oven to easy steam cleaning mode and run at 100°C for 25 minutes.
4. Open the door and wipe the inner surfaces of the oven with a damp sponge or cloth.

5. Use warm water with washing liquid, a soft cloth or sponge to clean the persistent dirt and wipe it with a dry cloth.

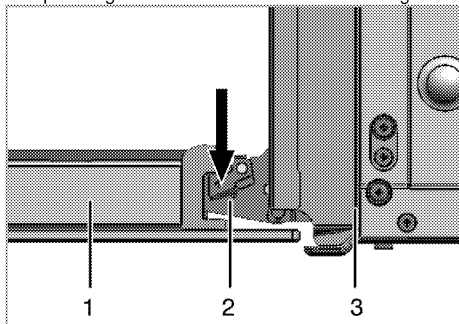
### Clean oven door

To clean the oven door, use warm water with washing liquid, a soft cloth or sponge to clean the product and wipe it with a dry cloth.

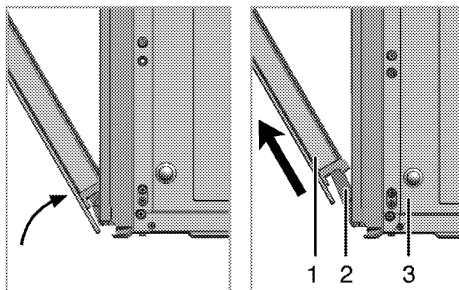


### Removing the oven door

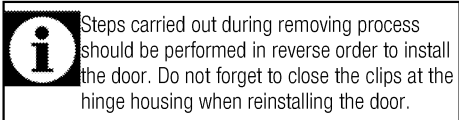
1. Open the front door (1).
2. Open the clips at the hinge housing (2) on the right and left hand sides of the front door by pressing them down as illustrated in the figure.



- 1 Front door
- 2 Hinge
- 3 Oven



3. Move the front door to half-way.
4. Remove the front door by pulling it upwards to release it from the right and left hinges.



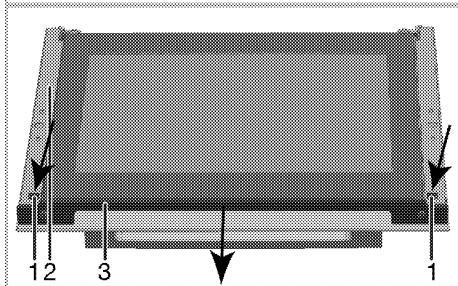
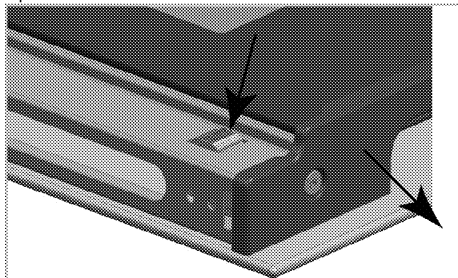


## Removing the door inner glass

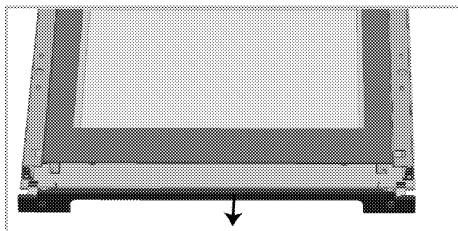
(This feature is optional. It may not exist on your product.)

The inner glass panel of the oven door can be removed for cleaning.

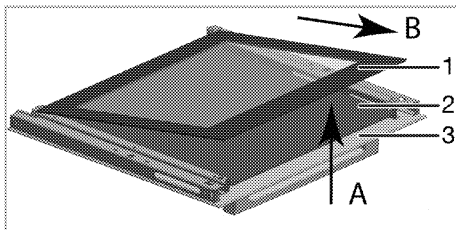
Open the oven door.



- 1 Tab
- 2 Frame
- 3 Profile



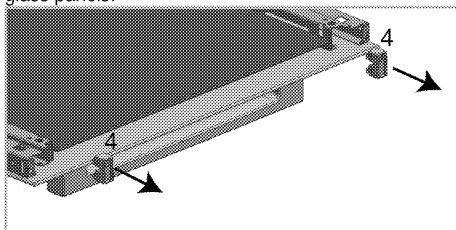
As illustrated in the figures above, press on the tabs (1) and pull the profile (3) towards yourself simultaneously to remove the profile attached to the upper side of the front door.



- 1 Innermost glass panel
  - 2 Inner glass panel\*
  - 3 Outer glass panel
- \* (It may not exist on your product.)

As illustrated in the figure, raise the innermost glass panel (1) slightly in direction 'A' and pull it out in direction 'B'.

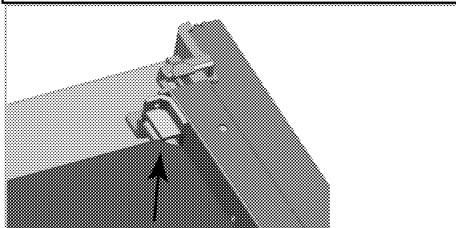
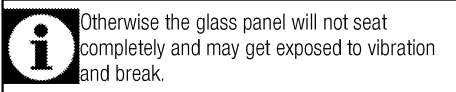
If your product is equipped with an inner glass panel; Pull the glass holder connecting elements in the middle as illustrated in the figure to free them from the glass panels.



- 4 Glass holder connecting element\*
- \* (It may not exist on your product.)

Repeat the same procedure to remove the inner glass panel (2). The first step to regroup the door is reinstalling inner glass panel (2).

As illustrated in the figure, place the glass panel so that it is inserted to the plastic slot.



When installing the innermost glass panel (1), make sure that the printed side of the panel faces towards the inner glass panel.

It is important that the lower corners of the innermost glass panel are seated into the plastic slots.



Otherwise the glass panel will not seat completely and may get exposed to vibration and break.

Please remember to place the glass holding connecting parts into their slots.

Finally, press on the tabs of the profile to make them seat into their slots again.

### Replacing the oven lamp



#### DANGER:

Before replacing the oven lamp, make sure that the product is disconnected from mains and cooled down in order to avoid the risk of an electrical shock.  
Hot surfaces may cause burns!



The oven lamp is a special electric light bulb that can resist up to 300 °C. See *Technical specifications, page 12* for details. Oven lamps can be obtained from Authorised Service Agents or technician with licence.



Position of lamp might vary from the figure.



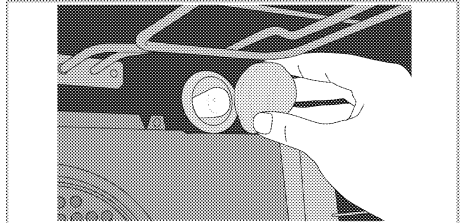
The lamp used in this appliance is not suitable for household room illumination. The intended purpose of this lamp is to assist the user to see foodstuffs.



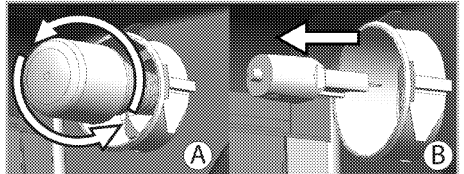
The lamps used in this appliance have to withstand extreme physical conditions such as temperatures above 50 °C.

### If your oven is equipped with a round lamp:

1. Disconnect the product from mains.
2. Turn the glass cover counter clockwise to remove it.



3. If your oven lamp is of type (A) shown in the figure below, remove it by rotating as shown and replace it. If it is of type (B), pull and remove it as shown in the figure and replace it.



4. Install the glass cover.

## 8 Troubleshooting

### Oven emits steam when it is in use.

- It is normal that steam escapes during operation. >>> *This is not a fault.*

### Product emits metal noises while heating and cooling.

- When the metal parts are heated, they may expand and cause noise. >>> *This is not a fault.*

### Product does not operate.

- The mains fuse is defective or has tripped. >>> *Check fuses in the fuse box. If necessary, replace or reset them.*
- Product is not plugged into the (grounded) socket. >>> *Check the plug connection.*

### Oven light does not work.

- Oven lamp is defective. >>> *Replace oven lamp.*
- Power is cut. >>> *Check if there is power. Check the fuses in the fuse box. If necessary, replace or reset the fuses.*

### Oven does not heat.

- Might not be set to a certain cooking function and/or temperature. >>> *Set the oven to a certain cooking function and/or temperature.*
- In models equipped with a timer, the timer is not adjusted. >>> *Adjust the time.*  
(In products with microwave oven, timer controls only microwave oven.)
- Power is cut. >>> *Check if there is power. Check the fuses in the fuse box. If necessary, replace or reset the fuses.*

### (In models with timer) Clock display is blinking or clock symbol is on.

- A previous power outage has occurred. >>> *Adjust the time / Switch of the product and switch it on again.*



Consult the Authorised Service Agent or technician with licence or the dealer where you have purchased the product if you can not remedy the trouble although you have implemented the instructions in this section. Never attempt to repair a defective product yourself.

Arcelik A.S.

Karaağaç Caddesi No:2-6 Sütlüce, 34445, Turkey

Made in TURKEY

Importer in Russia: «BEKO LLC»

Address: Selskaya street, 49, Fedorovskoe village, Pershinskoe rural settlement, Kirzhach district, Vladimir region, Russian Federation 601021

The manufacture date is included in the serial number of a product specified on rating label, which is located on a product, namely: first two figures of serial number indicate the year of manufacture, and last two – the month.

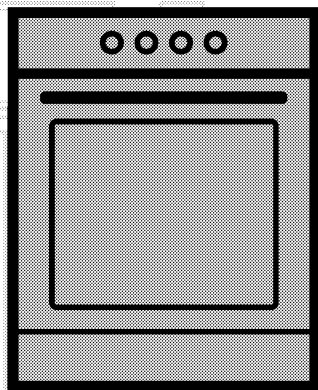
For example, "10- 100001-05" indicates that the product was produced in May, 2010.

You can ask for certification number from our Call Center 8-800-200-23-56 The manufacturer reserves the right for making changes in modification, design and specification of an electric device.



# Плита

## Руководство пользователя



RU

**beko**

## Перед началом эксплуатации прочитайте это руководство пользователя!

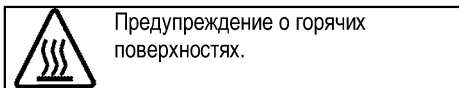
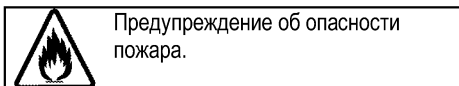
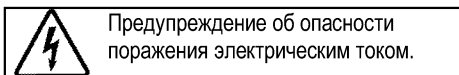
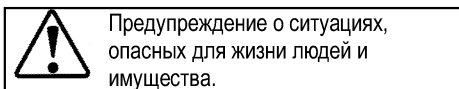
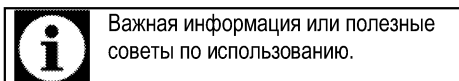
Уважаемый покупатель!

Спасибо за то, что отдали предпочтение продукции компании «Веко». Надеемся, что это высококачественное изделие, изготовленное с применением самых современных технологий, будет демонстрировать наилучшие результаты эксплуатации. Для этого перед началом эксплуатации внимательно прочитайте это руководство и всю сопутствующую документацию и используйте его в дальнейшем в качестве справочника. Если вы передаете изделие новому владельцу, передайте ему и руководство пользователя. Придерживайтесь всех предупреждений и информации, содержащихся в руководстве.

Помните, что данное руководство пользователя также может быть применимо к некоторым другим моделям. Различия между моделями будут указаны в руководстве.

### Пояснения к символам

В данном руководстве пользователя используются следующие символы:



<b><u>1</u></b>	<b><u>Важные инструкции и предупреждения по технике безопасности и охране окружающей среды</u></b>	<b><u>4</u></b>
	Общие правила техники безопасности.....	4
	Электробезопасность.....	5
	Безопасность изделия.....	6
	Использование по назначению.....	10
	Безопасность детей.....	10
	Утилизация старого изделия.....	10
	Утилизация упаковочных материалов.....	11
<b><u>2</u></b>	<b><u>Общие сведения</u></b>	<b><u>12</u></b>
	Обзор.....	12
	Содержание упаковки.....	13
	Технические характеристики.....	14
<b><u>3</u></b>	<b><u>Установка</u></b>	<b><u>15</u></b>
	До начала установки.....	15
	Установка и подключение.....	16
	Для будущей транспортировки.....	18
<b><u>4</u></b>	<b><u>Подготовка к эксплуатации</u></b>	<b><u>19</u></b>
	Рекомендации по экономии электроэнергии.....	19
	Подготовка к эксплуатации.....	19
	Очистка прибора перед началом эксплуатации.....	19
	Первоначальный прогрев.....	19
<b><u>5</u></b>	<b><u>Правила эксплуатации варочной панели</u></b>	<b><u>21</u></b>
	Общие сведения о приготовлении пищи.....	21
	Эксплуатация варочных панелей.....	22
<b><u>6</u></b>	<b><u>Правила эксплуатации духовки</u></b>	<b><u>23</u></b>
	Общие сведения о выпекании, жарении и приготовлении с грилем.....	23
	Правила эксплуатации электрической духовки.....	23
	Режимы работы.....	24
	Использование часов духовки.....	25
	Время приготовления блюд.....	25
	Как пользоваться грилем.....	26
	Время приготовления блюд на гриле.....	26
<b><u>7</u></b>	<b><u>Уход и техническое обслуживание</u></b>	<b><u>27</u></b>
	Общие сведения.....	27
	Чистка варочной панели.....	27
	Чистка панели управления.....	27
	Чистка духовки.....	28
	Снятие дверцы духового шкафа.....	28
	Снятие внутреннего стекла дверцы.....	29
	Замена лампочки освещения духового шкафа.....	30
<b><u>8</u></b>	<b><u>Поиск и устранение неисправностей</u></b>	<b><u>31</u></b>

## **1 Важные инструкции и предупреждения по технике безопасности и охране окружающей среды**

В данном разделе содержатся инструкции по технике безопасности, которые помогут вам избежать травм и повреждений. При несоблюдении этих правил все гарантийные обязательства аннулируются.

Общие правила техники безопасности

- Это изделие может эксплуатироваться детьми старше 8 лет и людьми с ограниченными физическими, сенсорными или умственными способностями, а также лицами, не имеющими достаточного опыта и знаний, только в том случае, если они находятся под наблюдением лиц, ответственных за их безопасность, или проинструктированы на предмет безопасного использования изделия и осознают связанные с этим риски.

Следите за тем, чтобы дети не играли с устройством. Дети могут чистить и обслуживать устройство только под наблюдением.

- Прибор не должен использоваться лицами

(включая детей) с ограниченными физическими, сенсорными или умственными способностями или недостатком опыта и знаний, за исключением случаев, когда использование происходит под непосредственным контролем или в соответствии с указаниями.

Следите за детьми, чтобы они не играли с прибором.

- В случае передачи изделия третьему лицу в личное пользование или в целях вторичного использования необходимо также передать руководство пользователя, наклейки изделия, а также другие связанные с ним документы и компоненты.
- Не устанавливайте устройство на ковровом покрытии. Недостаточная вентиляция под днищем устройства может привести к перегреву электрических деталей и проблемам в работе изделия.
- Работы по установке и ремонту должны выполняться только представителями авторизованной сервисной службы. Производитель не



несет ответственности за повреждения в результате выполнения работ лицами, не имеющими соответствующей квалификации. Это также может привести к аннулированию гарантии. Перед установкой внимательно прочтите инструкции.

- Не пользуйтесь неисправным изделием, а также при наличии на нем заметных повреждений.
- Проверяйте, чтобы после каждого использования переключатели функций изделия были выключены.

#### Электробезопасность

- В случае неисправности следует прекратить эксплуатацию изделия, пока оно не будет отремонтировано в авторизованном сервисном центре. Существует риск поражения электрическим током!
- Изделие можно подключать только к заземленной розетке/линии, напряжение и уровень защиты которой соответствуют параметрам, указанным в разделе «Технические характеристики». Установку заземления должен выполнять

квалифицированный специалист (при использовании прибора с трансформатором или без него). Наша компания не несет ответственности за какие-либо проблемы, возникшие вследствие использования изделия без заземления, выполненного в соответствии с местными нормами и правилами.

- Никогда не лейте воду на изделие во время мытья! Существует риск поражения электрическим током!
- Прежде чем приступить к установке, техническому обслуживанию, чистке и ремонту, изделие необходимо отключить от электросети.
- Во избежание несчастных случаев при повреждении кабеля питания его замену должен выполнять производитель, его специалист по сервису или лицо, имеющее аналогичную квалификацию.
- Электроприбор следует устанавливать таким образом, чтобы его можно было полностью отсоединить от сети электропитания. Отсоединение должно осуществляться с помощью штепсельной вилки или

выключателя, встроенного в фиксированную сеть электропитания, в соответствии со строительными нормативами и правилами.

- Задняя стенка духового шкафа во время работы сильно нагревается. Следите за тем, электрические провода не соприкоснулись с задней стенкой, так как это может привести к их повреждению.
- Следите за тем, чтобы шнур питания не был зажат между рамой и дверцей духового шкафа, и не прокладывайте его по горячим поверхностям. В противном случае изоляция кабеля может расплавиться, что приведет к короткому замыканию и пожару.
- Все работы с электрическим оборудованием и системами должны выполняться только квалифицированными специалистами, допущенными к выполнению таких работ.
- В случае какого-либо повреждения выключите прибор и отсоедините его от электросети. Для этого выключите общий предохранитель в доме.
- Проверьте, соответствуют ли изделию номинальные

характеристики предохранителя.

Безопасность изделия

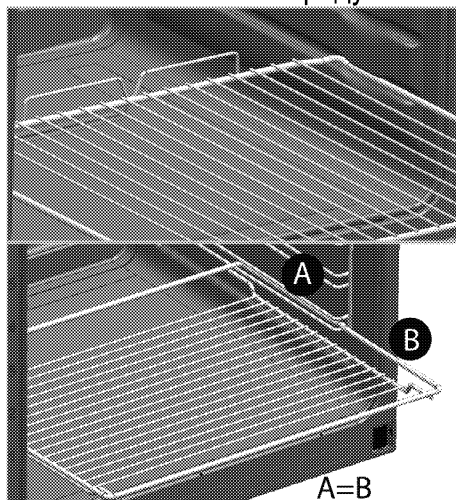
- **ВНИМАНИЕ:** Данное изделие и его внешние части нагреваются в процессе использования. Будьте осторожны, не касайтесь нагревательных элементов. Детей младше 8 лет следует допускать к духовому шкафу только под постоянным присмотром взрослых.
- Не пользуйтесь прибором, находясь под воздействием алкоголя или лекарственных препаратов, снижающих скорость реакции или нарушающих координацию движений.
- Будьте осторожны при использовании спиртных напитков в приготавливаемых блюдах. При высокой температуре спирт испаряется и при соприкосновении с горячими поверхностями может загореться и вызвать пожар.
- Не располагайте рядом с прибором легковоспламеняющиеся материалы, так как во время работы его боковые

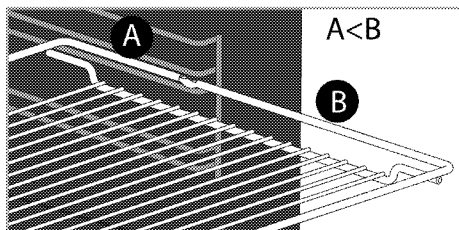
поверхности могут сильно нагреваться.

- Во время работы устройство может нагреваться. Будьте осторожны, не касайтесь нагревательных элементов внутри духового шкафа.
- Следите за тем, чтобы вентиляционные отверстия были полностью открыты.
- Не разогревайте в духовом шкафу продукты в закрытых жестяных или стеклянных банках. Внутри банок может повыситься давление, что приведет к взрыву.
- Не ставьте противни или посуду непосредственно на дно духового шкафа, а также не кладите на него алюминиевую фольгу. Избыточное тепло может привести к повреждению дна духового шкафа.
- Не используйте для чистки стеклянной дверцы духового шкафа грубые абразивные чистящие средства или острые металлические скребки, чтобы не поцарапать поверхность, поскольку это может привести к разрушению стекла.
- Не используйте для чистки устройства пароочистители, поскольку это может привести

к поражению электрическим током.

- (Может отличаться в зависимости от модели изделия.)  
Правильное расположение проволочной решетки и противня на направляющих. Проволочную решетку и/или противень следует правильно устанавливать на направляющие. Вставьте проволочную решетку или противень между 2 направляющими и проверьте, устойчиво ли держится решетка или противень (см. рисунок). Только после этого можно класть на них продукты.





- Не пользуйтесь духовым шкафом, если стекло в передней дверце потрескалось или вынуто.
- Ручка духовки не предназначена для сушки полотенце. Если функция гриля включена, а дверца открыта, не вешайте полотенца, перчатки и другие тряпичные изделия.
- Помещая продукты в горячий духовой шкаф или вынимая их оттуда, обязательно пользуйтесь термостойкими рукавицами.
- Положите бумагу для выстилания пекарных форм в горшок для варки или на противень, решетку и т.д. вместе с приготавливаемыми пищевыми продуктами, и поместите все в предварительно нагретую печь. Удалите излишки бумаги, выступающие за пределы противня или горшка, чтобы они не смогли соприкоснуться с нагревательными элементами. Не используйте бумагу для выстилания пекарных форм, рабочая температура которой ниже температуры в печи. Не кладите бумагу непосредственно на основание печи.
- **ВНИМАНИЕ:** Перед заменой лампочки убедитесь, что устройство выключено, чтобы избежать поражения электрическим током.
- Прибор не следует устанавливать за декоративной дверцей, поскольку это может привести к перегреву.
- Прибор следует устанавливать прямо на пол. Не устанавливайте прибор на подставку или стойку.
- **ВНИМАНИЕ:** При приготовлении пищи с жиром или маслом не оставляйте варочную панель без присмотра, поскольку это может привести к возгоранию. Категорически **ЗАПРЕЩАЕТСЯ** гасить такое пламя водой; следует выключить устройство и накрыть огонь, например, крышкой или противопожарным покрытием.
- **ОСТОРОЖНО:** За процессом приготовления пищи необходимо следить. За кратковременным процессом

- приготовления пищи необходимо следить постоянно.
- **ВНИМАНИЕ:** Опасность пожара: не храните предметы на конфорках.
  - **ВНИМАНИЕ:** Если поверхность треснула, выключите устройство во избежание поражения электрическим током.
  - Если стекло электроплиты разбилось: незамедлительно выключите все горелки и электрические нагревательные элементы, а также отключите устройство от электросети. Не прикасайтесь к поверхности устройства. Не используйте устройство.
  - Конструкция данного устройства не предусматривает управление им с помощью внешнего таймера или отдельной системы дистанционного управления.
  - Следите за тем, чтобы дно посуды и поверхность конфорки были сухими, так как посуда может подпрыгивать под давлением пара, который образуется при нагревании влажных поверхностей.
- **ВНИМАНИЕ:** Используйте только защитные ограждения для плиты, разработанные производителем вашего кухонного оборудования или указанные производителем в руководстве пользователя вашего оборудования как подходящие для него, либо же защитные ограждения, встроенные в ваше кухонное оборудование производителем. Использование несоответствующих защитных ограждений может привести к несчастному случаю.
- Для обеспечения пожарной безопасности изделия соблюдайте нижеуказанные правила.
- Убедитесь, что вилка плотно вставлена в розетку и не искрит.
  - Запрещается использовать поврежденный либо обрезанный кабель, а также удлинитель; можно пользоваться только оригинальным кабелем.
  - Убедитесь, что в розетке, к которой подключается изделие, отсутствуют жидкость или влага.

## Использование по назначению

- Данное изделие предназначено исключительно для бытового использования. Запрещается использовать прибор в коммерческих целях.
- Данное изделие предназначено исключительно для приготовления пищи. Его запрещено использовать для других целей, например, для обогрева помещения."
- Изделие не следует использовать с целью нагревания тарелок под грилем, сушки полотенце и посудных полотенце, путем развешивания их на ручках, а также для обогрева помещения.
- Производитель не несет ответственности за повреждения в результате использования изделия не по назначению или неправильного обращения с ним.
- Духовой шкаф можно использовать для размораживания, выпекания, жарения и приготовления продуктов на гриле.

## Безопасность детей

- **ВНИМАНИЕ:** Доступные части прибора могут сильно

нагреваться при использовании. Не допускайте к ним детей.

- Упаковочные материалы опасны для детей. Храните упаковочные материалы в недоступном для детей месте. Утилизируйте все упаковочные материалы в соответствии с нормами по охране окружающей среды.
- Электрическое оборудование представляют опасность для детей. Во время работы духового шкафа не допускайте к нему детей, а также не разрешайте им играть с ним.
- Не размещайте над прибором предметы, которые дети могут попытаться достать.
- Не ставьте на открытую дверцу тяжелые предметы и не позволяйте детям садиться на нее, Духовой шкаф может перевернуться, а также могут быть повреждены петли дверцы.

## Утилизация старого изделия

Соответствие Директиве ЕС об утилизации электрического и электронного оборудования (WEEE) и утилизация вышедшего из употребления оборудования:



Данное изделие соответствует Директиве ЕС об утилизации электрического и электронного оборудования (2012/19/EU). Данное изделие имеет маркировку, указывающую на утилизацию

его как электрического и электронного оборудования (WEEE).

Это изделие произведено из высококачественных деталей и материалов, которые подлежат повторному использованию и переработке.

Поэтому не выбрасывайте изделие с обычными бытовыми отходами после завершения его эксплуатации. Его следует сдать в соответствующий центр по утилизации электрического и электронного оборудования. О местонахождении таких центров вы можете узнать в местных органах власти.

**Соответствие Директиве ЕС об ограничении содержания вредных веществ (RoHS):**

Приобретенное вами изделие соответствует Директиве ЕС о правилах ограничения

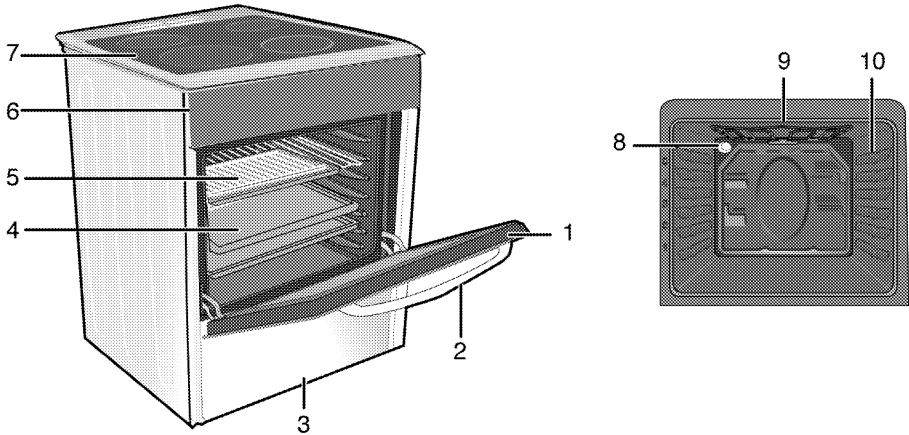
содержания вредных веществ (2011/65/EU). Оно не содержит вредных и запрещенных материалов, указанных в Директиве.

**Утилизация упаковочных материалов**

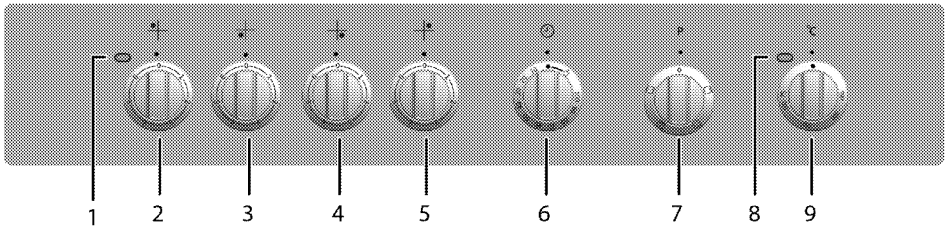
- Упаковочные материалы опасны для детей. Храните упаковочные материалы в безопасном и недоступном для детей месте. Упаковочные материалы изделия изготовлены из материалов, подлежащих вторичной переработке. Утилизируйте их соответствующим образом и сортируйте согласно инструкций по обращению с отходами, подлежащими вторичной переработке. Не утилизируйте их вместе с обычными бытовыми отходами.

## 2 Общие сведения

### Обзор



- |   |                     |    |                              |
|---|---------------------|----|------------------------------|
| 1 | Передняя дверца     | 6  | Панель управления            |
| 2 | Ручка дверцы        | 7  | Крышка конфорки              |
| 3 | Нижняя часть        | 8  | Лампочка                     |
| 4 | Противень           | 9  | Нагревательный элемент гриля |
| 5 | Проволочная решетка | 10 | Положения полок              |



- |   |  |   |                     |
|---|--|---|---------------------|
| 1 | Сигнальная лампочка                        | 8 | Лампочка термостата |
| 2 | Одноконтурная зона нагрева Задняя левая    | 9 | Ручка термостата    |
| 3 | Одноконтурная зона нагрева Передняя левая  |   |                     |
| 4 | Одноконтурная зона нагрева Передняя правая |   |                     |
| 5 | Одноконтурная зона нагрева Задняя правая   |   |                     |
| 6 | Механический таймер                        |   |                     |
| 7 | Ручка выбора функции                       |   |                     |



## Содержание упаковки

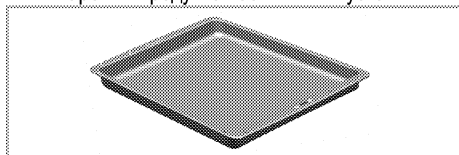


Изделие комплектуется различным набором дополнительных принадлежностей в зависимости от модели. Некоторые дополнительные принадлежности, описанные в руководстве пользователя, в комплекте этого изделия могут отсутствовать.

### 1. Руководство пользователя

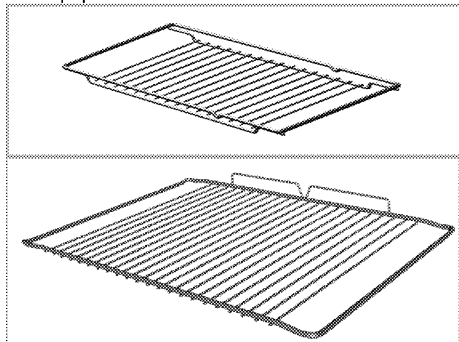
### 2. Противень

Предназначен для выпечки изделий из теста, размораживания замороженных продуктов и жарения продуктов большими кусками.



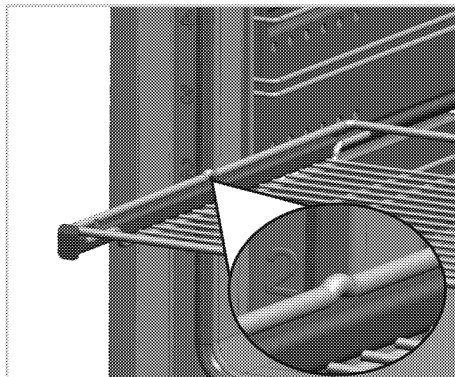
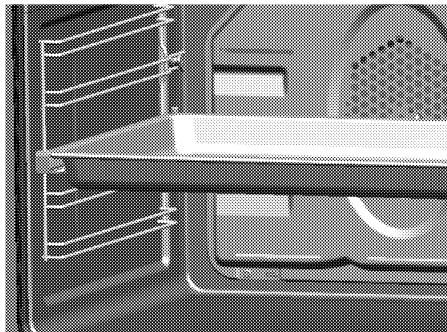
### 3. Проволочная решетка

Предназначена для жарения, а также для размещения продуктов на нужной полке при выпечке, жарении или приготовлении в формах.



### 4. Правильное расположение проволочной решетки на выдвигаемых направляющих (Данная функция — дополнительная. Она может отсутствовать в вашем изделии.)

Благодаря наличию выдвигаемых направляющих можно легко устанавливать и выдвигать противни и проволочную решетку. При установке противней или проволочной решетки следите за тем, чтобы края противня или решетки опирались на штырьки, расположенные на задней части выдвигаемых направляющих.



## Технические характеристики

ОБЩИЕ СВЕДЕНИЯ	
Габариты (высота / ширина / глубина)	850 мм/500 мм/600 мм
Напряжение/частота	220-240 В ~ 50 Гц
Общая потребляемая мощность	7.7 кВт
Предохранитель	25 А
Тип кабеля/сечение	мин. H05VV-FG 3 x 2,5 мм <sup>2</sup>
ВАРОЧНАЯ ПАНЕЛЬ	
Конфорки	
Задняя левая	<b>Одноконтурная зона нагрева</b>
Размеры	140 мм
Мощность	1200 Вт
Передняя левая	<b>Одноконтурная зона нагрева</b>
Размеры	180 мм
Мощность	1700 Вт
Передняя правая	<b>Одноконтурная зона нагрева</b>
Размеры	140 мм
Мощность	1200 Вт
Задняя правая	<b>Одноконтурная зона нагрева</b>
Размеры	180 мм
Мощность	1700 Вт
ДУХОВКА/ГРИЛЬ	
Главный духовой шкаф	Обычный духовой шкаф
Лампочка внутреннего освещения	15–25 Вт
Гриль: потребляемая мощность	1.6 кВт
Класс защиты -1	

### Степень защиты IP 44

- # Основные сведения. Данные на паспортной табличке энергопотребления электрических духовых шкафов приведены в соответствии со стандартом EN 60350-1 / IEC 60350-1. Эти данные определены при стандартной нагрузке с функциями нижнего-верхнего нагревательного элемента или нагрева с помощью вентилятора (при наличии).

Класс энергетической эффективности определен в соответствии с приведенными ниже приоритетами в зависимости от наличия или отсутствия соответствующих функций в изделии. 1 - Приготовление с вентилятором - экономичный режим, 2 - Медленное приготовление в турборежиме, 3 - Приготовление в турборежиме, 4 - Нагрев сверху и снизу с вентилятором, 5 - Нагрев сверху и снизу.

**«Этикетка энергоэффективности представлена на продукте»**



При усовершенствовании качества продукции технические характеристики могут быть изменены без предварительного уведомления.



Иллюстрации в данном руководстве являются схематичными и могут несколько отличаться от конкретного изделия.



Значения, указанные на этикетках изделия или в сопроводительной документации, получены в лабораторных условиях согласно соответствующим стандартам. Эти данные могут быть иными в зависимости от условий эксплуатации изделия.

### 3 Установка

Прибор должен устанавливаться квалифицированным специалистом в соответствии с действующими нормами и правилами. В противном случае гарантия аннулируется. Производитель не несет ответственности за повреждения в результате выполнения работ лицами, не имеющими соответствующей квалификации. Это может привести к аннулированию гарантии.



Подготовка места установки, электрического оборудования обеспечивается покупателем.



**ОПАСНО:**

Бытовой прибор следует устанавливать в соответствии со всеми местными нормами по подключению газового и/или электрического оборудования.

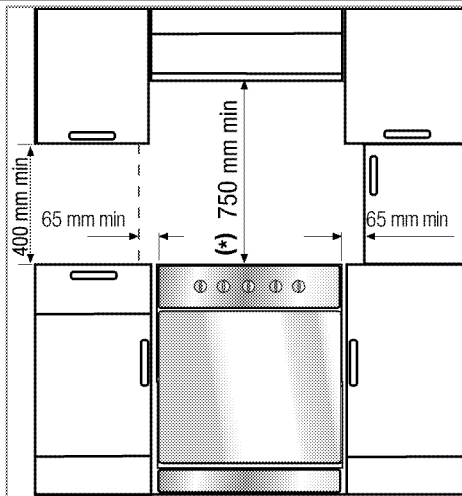


**ОПАСНО:**

Прежде чем приступить к установке, визуально проверьте отсутствие внешних дефектов духового шкафа. При наличии дефектов не устанавливайте его. Поврежденные электроприборы представляют собой угрозу вашей безопасности.

#### До начала установки

Для того чтобы обеспечить наличие необходимых зазоров для циркуляции воздуха под плитой, рекомендуем устанавливать ее на твердом основании так, чтобы ножки не погружались в ковер или мягкое напольное покрытие. Кухонный пол должен выдерживать вес прибора с учетом веса посуды и продуктов.



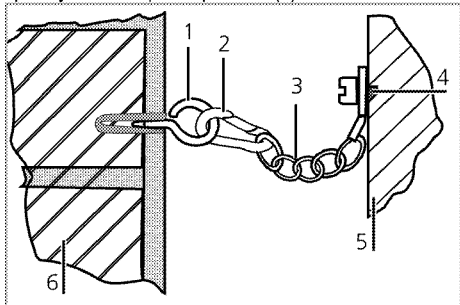
- Ее можно использовать с кухонными шкафами с обеих сторон, однако следует оставить свободное пространство минимум 400 мм над уровнем конфорок, а также боковое свободное пространство не менее 65 мм между плитой и стеной, перегородкой или высоким кухонным шкафом.
- Плита может также стоять отдельно. Обеспечьте свободное расстояние не менее 750 мм от поверхности плиты до поверхностей над ней.
- В случае установки надплитного воздухоочистителя соблюдайте инструкции его производителя в отношении высоты монтажа устройства (мин. 650 мм).
- Это устройство соответствует требованиям к приборам класса 1, и его можно устанавливать так, чтобы задняя и **одна** из боковых стенок примыкали к стенам помещения, стенкам кухонных шкафчиков или бытовых приборов любой высоты. Кухонная мебель или бытовые приборы, примыкающие с **другой** стороны, должны быть не выше прибора.
- Вся кухонная мебель, рядом с которой устанавливается устройство, должна быть термостойкой (не менее 100 °C).

## Предохранительная цепь

### Если изделие оснащено двумя предохранительными цепями(2);

Для обеспечения устойчивости изделия его необходимо закрепить с помощью двух предохранительных цепей, входящих в комплект поставки.

С помощью соответствующего дюбеля установите крючок (1) в стене кухни (6), а затем подсоедините предохранительную цепь (3) к крючку с помощью карабина (2).

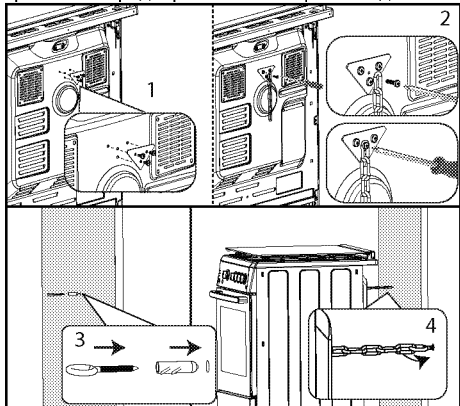


- 1 Крючок
- 2 Карабин
- 3 Предохранительная цепь
- 4 Прочно закрепите цепь с задней стороны плиты
- 5 Задняя сторона плиты
- 6 Стена кухни

### Если изделие оснащено одной предохранительной цепью(1);

Для обеспечения устойчивости изделия его необходимо закрепить с помощью входящей в комплект поставки предохранительной цепи на духовом шкафу.

Следуйте указаниям на рисунке ниже для крепления предохранительной цепи к изделию.



Предохранительная цепь должна быть как можно короче, чтобы исключить опрокидывание изделия как вперед, так и в сторону.

В конструкции предохранительной цепи для плиты нет гнезда для крепления скобы.

## Установка и подключение

Прибор следует устанавливать и подключать в соответствии с действующими нормами и правилами.



Не устанавливайте изделие рядом с холодильником или морозильной камерой. Поскольку духовой шкаф излучает тепло, холодильники будут потреблять больше электроэнергии.

- Переносить прибор должны не менее двух человек.
- Прибор следует устанавливать прямо на пол. Не устанавливайте прибор на подставки.



Не перемещайте устройство, держась за дверцу и/или за ручку дверцы. Дверца, ручка или петли могут повредиться.

## Подключение к электросети

Подключайте изделие к розетке или линии с заземлением, защищенной миниатюрным автоматическим выключателем с соответствующим номиналом, который указан в таблице «Технические характеристики». Установку заземления должен выполнять квалифицированный электрик (при использовании изделия с трансформатором или без него). Наша компания не несет ответственности за ущерб, понесенный вследствие использования изделия без заземления, выполненного в соответствии с местными нормами и правилами.



### ОПАСНО:

Подключение прибора к электросети должен выполнять квалифицированный специалист, имеющий право на выполнение таких работ. Гарантийный период начинается только после правильной установки.

Производитель не несет ответственности за повреждения в результате выполнения работ лицами, не имеющими соответствующей квалификации.

**ОПАСНО:**

Шнур питания не должен быть сдавлен, изогнут или зажат, а также не должен соприкасаться с нагревающимися компонентами изделия.

Замену поврежденного шнура питания должен выполнять квалифицированный электрик. В противном случае это может привести к поражению электрическим током, короткому замыканию или возгоранию!

Параметры электрической сети должны соответствовать данным, указанным на паспортной табличке прибора. Паспортную табличку можно увидеть либо при открытой дверце или нижней крышке, либо на задней стенке прибора, в зависимости от типа прибора. Шнур питания прибора должен соответствовать параметрам, указанным в таблице "Технические характеристики".

**ОПАСНО:**

Перед выполнением каких-либо электромонтажных работ отключите прибор от электрической сети.

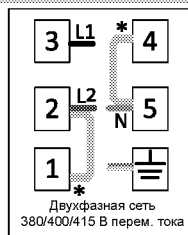
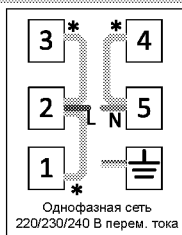
Существует риск поражения электрическим током!

**Подключение кабеля питания**

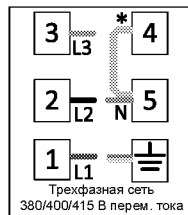
При монтаже проводки необходимо соблюдать национальные/местные электротехнические правила и нормы, а также использовать соответствующие розетки/штепсельные вилки и вилку для духовки. В случае если предельные значения мощности продукции превышают допустимую нагрузку на вилку и розетку, изделие должно быть подключено через стационарное электрическое оборудование напрямую без использования вилки и розетки.

1. Если нет возможности установить автоматический выключатель на все контакты, то в соответствии с директивами МЭК следует использовать для подключения размыкатели с контактным зазором не менее 3 мм (плавкие предохранители, защитные сетевые выключатели, замыкатели). Место подключения должно находиться рядом с прибором, но не над плитой. Несоблюдение этих указаний может вызвать проблемы в процессе эксплуатации, а также привести к аннулированию гарантии на прибор.


В качестве дополнительной меры безопасности рекомендуется использовать устройство защитного отключения.

**Подключение кабелем, прилагаемым к прибору**

\* Медная перемычка



2. **Инструкция по подключению к однофазной электрической сети.**

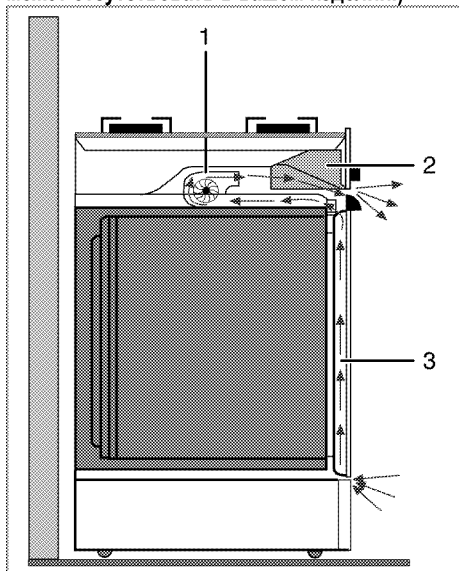
- коричневый провод = L (фаза)
- синий провод = N (нейтраль)
- желто-зеленый провод = (E)  (земля)
- Придвиньте прибор к стене кухни.

**Регулирование ножек духовки**

При наличии вибрации посуда во время приготовления может сдвигаться. Для предотвращения опасных ситуаций необходимо, чтобы прибор стоял ровно и устойчиво.

В целях безопасности, выровняйте прибор с помощью 4 регулируемых ножек ножки. Для этого поворачивайте их влево и вправо до тех пор, пока прибор не будет ровно стоять на столешнице.

Для изделий с вентилятором охлаждения (Она может отсутствовать в вашем изделии.)



- 1 Вентилятор охлаждения
- 2 Панель управления
- 3 Дверца

Вентилятор охлаждения охлаждает как панель управления, так и переднюю панель изделия.



Вентилятор охлаждения продолжает работать в течение 20-30 минут после выключения духового шкафа.

### Окончательная проверка

1. Включите прибор в сеть.
2. Проверьте, работают ли электрические компоненты.

### Для будущей транспортировки

- Сохраните оригинальную упаковочную коробку и перевозите прибор в ней. Следуйте указаниям, нанесенным на упаковке. Если оригинальная упаковочная коробка не сохранилась, заверните изделие в пузырчатую упаковку или поместите в плотный картон. Надежно заклейте клеевой лентой.
- Чтобы проволочная решетка и противень, которые хранятся внутри духовки, не повредили дверцу, поместите с внутренней стороны дверцы картонную полоску вровень с противнями. Прикрепите дверцу духового шкафа к боковым стенкам клеевой лентой.
- Не поднимайте и не передвигайте духовой шкаф, держась за дверцу или за ручку дверцы.



Не размещайте на приборе никаких предметов и не ставьте его вертикально.



Осмотрите прибор снаружи на предмет возможных повреждений при транспортировке.

## 4 Подготовка к эксплуатации

### Рекомендации по экономии электроэнергии

Эти рекомендации помогут вам использовать изделия экологически чистым способом и сэкономить электроэнергию.

- Используйте в духовом шкафу темную или эмалированную посуду: это позволит улучшить теплопередачу.
- Прогревайте духовой шкаф перед приготовлением пищи, если это рекомендуется в руководстве пользователя или в инструкциях по приготовлению продуктов.
- Во время приготовления пищи не открывайте дверцу духового шкафа слишком часто.
- По возможности старайтесь готовить в духовом шкафу несколько блюд одновременно. При приготовлении пищи на решетку можно устанавливать по две емкости с продуктами.
- Готовьте блюда одно за другим. Духовой шкаф уже будет прогрет.
- Для экономии электроэнергии можно выключать духовой шкаф за несколько минут до окончания приготовления блюда. Не открывайте дверцу духового шкафа.
- Размораживайте замороженные продукты перед приготовлением.
- Готовьте пищу в закрытой посуде. При приготовлении в открытой посуде энергопотребление может возрасти в 4 раза.
- Выбирайте конфорку соответственно размеру дна посуды. Обязательно выбирайте посуду соответственно объему приготовляемого блюда. Чем больше объем посуды, тем выше энергопотребление.
- Для приготовления пищи на электрических конфорках используйте посуду только с плоским дном.
- Посуда с толстым дном лучше проводит тепло, что позволяет на треть сократить потребление энергии.
- Размер посуды должен соответствовать размеру зон нагрева. Не следует использовать посуду с дном меньшего диаметра, чем диаметр конфорки.
- Следите за тем, чтобы зоны нагрева и дно посуды были чистыми. Загрязнения

ухудшают теплопередачу между зоной нагрева и дном посуды.

- Если блюдо готовится долго, выключайте зону нагрева за 5-10 минут до окончания приготовления. Использование остаточного тепла позволяет сэкономить до 20% электроэнергии.

### Подготовка к эксплуатации

#### Очистка прибора перед началом эксплуатации



Некоторые моющие средства и чистящие материалы могут повредить поверхность. Не используйте для чистки агрессивные моющие средства, чистящие порошки/кремы, а также острые предметы.

1. Снимите все упаковочные материалы.
2. Протрите поверхность прибора влажной тканью или губкой и вытрите насухо.

#### Первоначальный прогрев

Прогрейте прибор в течение 30 минут, а затем выключите. Это обеспечит выгорание и удаление производственных загрязнений и покрытий.



#### ПРЕДУПРЕЖДЕНИЕ!

Горячие поверхности могут причинить ожоги!

Во время работы прибор может сильно нагреваться. Не прикасайтесь к горячим конфоркам, внутренним частям духового шкафа, нагревательным элементам и т.п. Не разрешайте детям приближаться к нему.

Помещая продукты в горячий духовой шкаф или вынимая их оттуда, обязательно пользуйтесь термостойкими рукавицами.

#### Электрический духовой шкаф

1. Выньте из духового шкафа все противни и решетку.
2. Закройте дверцу духового шкафа.
3. Выберите положение Static (Статический)
4. Включите гриль на максимальную мощность (см. раздел *Правила эксплуатации электрической духовки, стр. 23*).
5. Дайте духовому шкафу поработать около 30 минут.
6. Затем выключите духовой шкаф (см. раздел *Правила эксплуатации электрической духовки, стр. 23*).

## Духовой шкаф с грилем

1. Выньте из духового шкафа все противни и решетку.
2. Закройте дверцу духового шкафа.
3. Включите гриль на максимальную мощность (см. раздел *Как пользоваться грилем*, стр. 26).
4. Дайте духовому шкафу поработать около 30 минут.
5. Затем выключите духовой шкаф (см. раздел *Как пользоваться грилем*, стр. 26).



При первом включении в течение нескольких часов возможно выделение дыма и запаха. Это вполне нормально. Убедитесь, что кухня хорошо проветривается, чтобы удалить дым и запах. Не вдыхайте выделяющиеся дым и запахи.



## 5 Правила эксплуатации варочной панели

### Общие сведения о приготовлении пищи



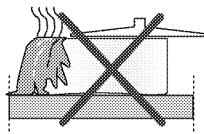
Не заполняйте кастрюлю растительным маслом более чем на одну треть. При нагревании масла не оставляйте варочную панель без присмотра. Остерегайтесь возгорания раскаленных масел. **Не тушите огонь водой!** При возгорании масла накройте посуду одеялом или влажной тканью. По возможности выключите варочную панель и позвоните в пожарную службу.

- Перед жареньем продукты нужно обязательно обсушивать. Опускайте продукты в горячий жир с осторожностью. Замороженные продукты перед жареньем следует полностью разморозить.
- Посуду, в которой разогревается жир, накрывать нельзя.
- Посуду следует ставить на плиту таким образом, чтобы ручки не нагревались над горячей поверхностью плиты. Не ставьте на плиту неустойчивую посуду, которая легко опрокидывается.
- Не ставьте на включенные конфорки пустую посуду – это может привести к ее повреждению.
- Не оставляйте включенными конфорки, на которых нет посуды – это может привести к повреждению плиты. Обязательно выключайте конфорки после окончания приготовления пищи.
- Не ставьте на плиту пластмассовую или алюминиевую посуду, так как на горячей поверхности они могут расплавиться. Расплавившиеся материалы следует сразу же счищать с поверхности. Такую посуду также не следует использовать для хранения пищевых продуктов.
- Можно использовать только посуду с плоским дном.
- Размер посуды должен соответствовать количеству продуктов. Тогда продукты не

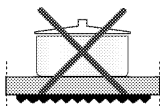
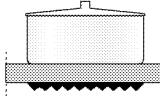
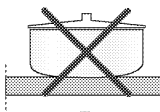
будут выплескиваться из посуды, и не придется лишний раз мыть плиту. Не кладите на конфорки крышки кастрюль. Размещайте посуду по центру конфорки. Если нужно переместить посуду на другую конфорку, поднимите ее и переставьте. Ни в коем случае не передвигайте посуду по поверхности плиты.

### Советы по использованию стеклокерамических варочных панелей

- Стеклокерамическая поверхность устойчива к нагреву и большим перепадам температуры.
- Не кладите на стеклокерамическую поверхность продукты и другие предметы и не используйте ее в качестве разделочной доски.
- Используйте посуду только с гладким дном. Посуда с острыми краями может поцарапать поверхность.
- Не используйте алюминиевую посуду, так как алюминий может повредить стеклокерамическую поверхность.

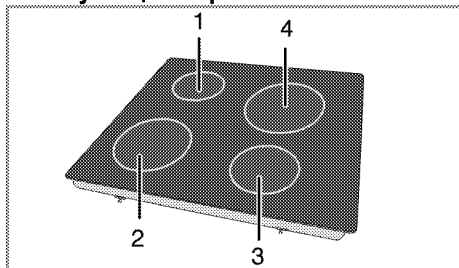


Выплеснувшиеся продукты могут повредить стеклокерамическую поверхность, и тем самым вызвать пожар. Не используйте посуду с вогнутым или выпуклым дном.



Используйте посуду только с плоским дном. Такая посуда нагревается быстро и равномерно. Если диаметр посуды слишком мал, энергия будет расходоваться впустую.

## Эксплуатация варочных панелей



- 1 Одноконтурная зона нагрева 14-16 см
- 2 Одноконтурная зона нагрева 18-20 см
- 3 Одноконтурная зона нагрева 14-16 см
- 4 Одноконтурная зона нагрева 18-20 см список рекомендованных диаметров посуды для использования на соответствующих конфорках.



### ОПАСНО:

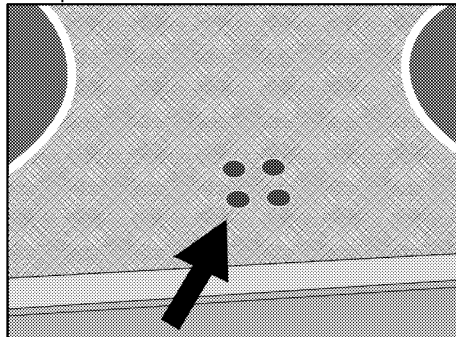
Следите за тем, чтобы на варочную панель ничего не упало. Даже небольшие предметы (например, солонка) могут повредить варочную панель.

Не пользуйтесь варочной панелью, если на ней есть трещины. В трещины может попасть вода и вызвать короткое замыкание.

При обнаружении на поверхности каких-либо повреждений (например, трещин) немедленно выключите электроприбор во избежание поражения электрическим током.

Стеклокерамическая варочная панель оснащена индикатором питания и индикатором остаточного тепла.

Индикатор остаточного тепла указывает статус включенной зоны нагрева. После выключения конфорки индикатор остается включенным. Индикатор остаточного тепла погаснет, когда температура конфорки снизится до уровня, при котором ее можно касаться рукой. Мигание индикатора остаточного тепла не является неисправностью.



### Включение керамических конфорок

Включение конфорок выполняется с помощью ручек регуляторов. Чтобы установить нужный уровень мощности, поверните ручку регулятора в соответствующее положение.

Уровень мощности	1	2-3	4-6
	разогревание	тушение, приготовление на медленном огне	варка, жарение, кипячение

### Выключение керамических конфорок

Поверните регулятор конфорки в положение «ВЫКЛ.» (вверх).

## 6 Правила эксплуатации духовки

### Общие сведения о выпекании, жарении и приготовлении с грилем



#### ПРЕДУПРЕЖДЕНИЕ!

Горячие поверхности могут причинить ожоги!

Во время работы прибор может сильно нагреваться. Не прикасайтесь к горячим конфоркам, внутренним частям духового шкафа, нагревательным элементам и т.п. Не разрешайте детям приближаться к нему.

Помещая продукты в горячий духовой шкаф или вынимая их оттуда, обязательно пользуйтесь термостойкими рукавицами.



#### ОПАСНО:

Будьте осторожны, открывая дверцу духового шкафа, так как наружу может выходить пар.

Выпускаемый пар может обжечь вам руки, лицо и/или глаза.

#### Советы по выпеканию

- Используйте антипригарные металлические тарелки или алюминиевые контейнеры с соответствующим покрытием, либо термостойкие силиконовые формы.
- Рационально используйте площадь решетки.
- Устанавливайте форму для выпекания в середине решетки.
- Выбирайте правильное положение решетки перед включением духового шкафа или гриля. Не изменяйте положение решетки, когда духовой шкаф горячий.
- Держите закрытой дверцу шкафа.

#### Советы по приготовлению жареных блюд

- Тушку курицы или индейки и большие куски мяса перед приготовлением рекомендуются сбрызнуть лимонным соком и посыпать черным перцем. Тогда готовое блюдо будет вкуснее.
- Мясо с костями следует жарить на 15-30 минут дальше, чем такое же количества мяса без костей.
- На каждый сантиметр толщины мяса требуется приблизительно 4-5 минут времени приготовления.
- По истечении времени приготовления мяса оставьте его в духовом шкафу примерно на 10 минут. Сок лучше распределится внутри

куска жареного мяса и не будет вытекать, когда вы будете разрезать мясо.

- Рыбу в термостойкой посуде следует готовить на решетке, установленной на средний или нижний уровень.

#### Советы по приготовлению продуктов на гриле

При приготовлении на гриле мясо, рыба или птица быстро подрумянивается, сверху образуется хрустящая корочка, и продукт не пересыхает. На гриле можно отлично приготовить не только тонкие куски мяса, шашлыки и сосиски, но и овощи с большим содержанием жидкости (например, помидоры и лук).

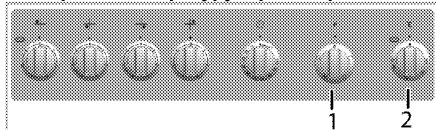
- Для приготовления на гриле разложите куски продуктов на решетке или на противне с решеткой так, чтобы площадь, занимаемая продуктами, соответствовала размерам нагревательного элемента.
- Вставьте решетку или противень с решеткой в духовку на нужный уровень. Если продукты готовятся на решетке, установите на нижний уровень поддон для сбора жира. Для облегчения чистки поддона налейте в него немного воды.



Продукты, которые не подходят для приготовления на гриле, могут привести к возгоранию. На гриле можно готовить только такие продукты, которые выдерживают интенсивный нагрев. Не размещайте продукты слишком близко к задней части гриля. Эта зона нагревается сильнее всего, и жирные продукты могут загореться.

### Правила эксплуатации электрической духовки

#### Выберите температуру и режим работы



- 1 Ручка выбора функции
- 2 Ручка термостата

1. Настройте таймер духовки на нужную продолжительность приготовления (см. раздел ).
2. Установите нужный режим работы с помощью ручки выбора функций.

3. Установите нужную температуру с помощью регулятора температуры.

» После нагрева духовки в ней будет поддерживаться заданная температура. Во время нагрева будет светиться индикатор температуры.

#### **Выключение электрической духовки**

Переведите таймер духовки в положение отключения.



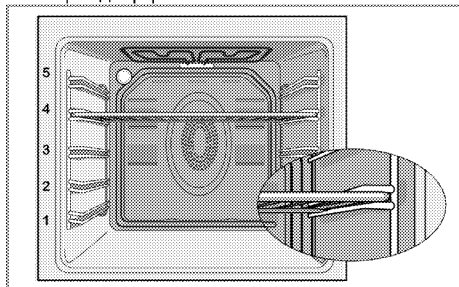
Когда таймер установлен на определенное время, он выключается автоматически (см.

Поверните ручку выбора функций и регулятор температуры в положение отключения (вверх).

#### **Уровни духовки (для моделей с грилем)**

Правильно устанавливайте решетку в направляющие. Решетку следует вставить между направляющими, как показано на рисунке.

Следите за тем, чтобы решетка не упиралась в заднюю стенку духовки. Чтобы гриль нормально работал, выдвиньте решетку к передней части направляющих и отрегулируйте ее положение с помощью дверцы.



#### **Режимы работы**

Приведенная здесь последовательность режимов работы может отличаться от вашей модели.

#### **Нагрев сверху и снизу**



Работают оба нагревательных элемента — и верхний, и нижний. Продукты подгреваются одновременно сверху и снизу. Этот режим подходит, например, для тортов, разной выпечки, а также кексов и запеканок в формах.. Готовьте только с одним противнем.

#### **Нагрев снизу**



Работает только нижний нагревательный элемент. Подходит для выпечки пиццы и дополнительного обжаривания продуктов с нижней стороны. Эта функция также упрощает очистку паром.



#### **Гриль**



Работает малый гриль на потолке духовки. Может использоваться для приготовления блюд на гриле.

- Для приготовления блюд в этом режиме расположите под нагревателем гриля на соответствующем уровне духовки небольшое или среднее количество продукта.
- Установите температуру на максимальный уровень.
- Когда пройдет половина времени, отведенного на приготовление, переверните продукт.

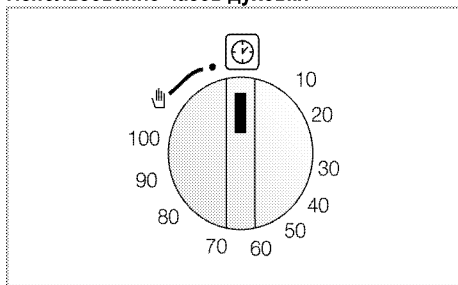
#### **Full grill (Усил. гриль)**



Работает большой гриль на потолке духовки. Подходит для приготовления на гриле больших порций мяса.

- Для приготовления на гриле положите большие или средние порции под нагревательный элемент гриля на соответствующий уровень полки духового шкафа.
- Установите температуру на максимальный уровень.
- Когда пройдет половина времени, отведенного на приготовление, переверните продукт.

## Использование часов духовки



### Подготовка к работе и приготовление блюд

**i** Для подготовки духовки к работе необходимо выбрать нужный режим и температуру приготовления, а также установить время. В противном случае духовка работать не будет.

1. Задайте продолжительность приготовления, повернув ручку Time Adjustment (Установка времени) по часовой стрелке.
2. Поставьте блюдо в духовой шкаф.
3. Выберите режим работы и температуру (см. *Правила эксплуатации электрической духовки, стр. 23.*)  
» Духовка разогреется до заданной температуры, которая будет поддерживаться до установленного времени окончания приготовления.
4. По истечении заданного времени приготовления ручка Time Adjustment (Установка времени) автоматически

вернется против часовой стрелки. Прозвучит звуковой сигнал, означающий, что заданное время истекло, и прибор выключится.

**i** Если таймер не используется, выключите его, повернув ручку против часовой стрелки к символу руки.

5. Духовку можно выключить с помощью регулятора времени, ручки выбора функций и регулятора температуры.

### Досрочное выключение духовки

1. Поверните регулятор Time Adjustment (Установка времени) против часовой стрелки до упора.
2. Выключите духовку с помощью ручки выбора функций и регулятора температуры.

### Время приготовления блюд

**i** Значения времени в этой таблице следует считать справочными. Они могут изменяться в зависимости от температуры продуктов, толщины, вида и ваших кулинарных предпочтений.

### Выпечка и жарение

**i** 1-й полкой духового шкафа является нижняя полка.

Блюдо	Количество противней		Уровень размещения	Температура (°C)	Примерное время приготовления (мин.)
**Выпечка на противне	Один противень		3	175	30 ... 45
**Выпечка в форме	Один противень		3	175	30 ... 50
**Выпечка в кулинарной бумаге	Один противень		3	160 ... 170	20 ... 30
**Бисквит	Один противень		3	180 ... 200	10 ... 20
**Печенье	Один противень		3	160 ... 170	20 ... 30
**Изделия из теста	Один противень		3	200	20 ... 30
**Сдобная выпечка	Один противень		3	190	25 ... 35
**Закваска	Один противень		3	190	20 ... 40
**Лазанья	Один противень		2	180	25 ... 45
**Пицца	Один противень		2	200	15 ... 25
Бифштекс (кусом)/жаркое	Один противень		2	25 мин. 220, затем 180 ... 190	80 ... 120
Баранья нога (запеканка)	Один противень		2	25 мин. 220, затем 180 ... 190	70 ... 100
Жареная курица	Один противень		2	15 мин. 220, затем 190	55 ... 75
Индейка (кусками)	Один противень		2	25 мин. 220, затем 190	70 ... 120
Рыба	Один противень		3	200	20 ... 30

(\*\*) Для процессов приготовления, требующих предварительного нагрева, предварительно

разогрейте печь в начале процесса до достижения заданной температуры.

## Советы по выпечке

- Если изделие получается слишком сухим, следует повысить температуру примерно на 10°C и сократить время приготовления.
- Если изделие получается сырым, следует уменьшить количество жидкости или понизить температуру на 10°C.
- Если верхняя корочка слишком зарумянивается, следует поставить изделие ниже, понизить температуру и увеличить время приготовления.
- Если изделие хорошо пропекается, но снаружи пригорает, следует уменьшить количество жидкости, понизить температуру и увеличить время приготовления.

## Советы по выпечке

- Если изделие получается слишком сухим, следует повысить температуру примерно на 10°C и сократить время приготовления. Смажьте слои теста смесью из молока, растительного масла, яиц и йогурта.
- Следите за тем, чтобы толщина изделия не превышала глубины противня, иначе оно будет долго выпекаться.
- Если верхний слой изделия подгорает, а нижний остается сырым, возможно, в нижнем слое изделия слишком много начинки. Чтобы изделие ровно подрумянивалось, старайтесь равномерно распределять начинку между слоями теста и по поверхности изделия.



При выпечке изделий из теста соблюдайте режим и температуру, указанные в таблице рецептов. Если нижний слой изделия плохо пропекается, в следующий раз поставьте противень на один уровень ниже.

## Советы по приготовлению овощных блюд

- Если овощи выпускают сок и становятся слишком сухими, готовьте их не на противне,

## Время приготовления блюд на гриле

### Приготовление блюд на электрическом гриле

Продукты	Уровень размещения	Время приготовления на гриле (прибл.)
Рыба	4...5	20...25 мин. #
Курица (куски)	4...5	25...35 мин.
Отбивные из молодой баранины	4...5	20...25 мин.
Ростбиф	4...5	25...30 мин. #
Отбивные из телятины	4...5	25...30 мин. #
Гренки	4	1...2 мин.

# в зависимости от толщины

а в сковороде под крышкой. В закрытой посуде сок сохранится.

- Если овощное блюдо остается сыроватым, прежде чем готовить овощи в духовом шкафу, можно их проварить или пробланшировать.

## Как пользоваться грилем



### ПРЕДУПРЕЖДЕНИЕ!

Закрывайте дверцу во время приготовления пищи на гриле. Горячие поверхности могут причинить ожоги!

- При приготовлении в режиме гриля поверните регулятор времени по часовой стрелке и установите на значок Hand (Рука).

## Включение гриля

1. Поверните ручку выбора функций и установите на нужный значок режима «Гриль».
2. Затем установите нужную температуру жаренья.
3. При необходимости прогрейте гриль около 5 минут.

» При этом включится индикаторная лампочка температуры.

## Выключение гриля

1. Поверните ручку выбора функций в положение отключения (вверх).



Продукты, которые не подходят для приготовления на гриле, могут привести к возгоранию. На гриле можно готовить только такие продукты, которые выдерживают интенсивный нагрев.

Не размещайте продукты слишком близко к задней части гриля. Эта зона нагревается сильнее всего, и жирные продукты могут загореться.

## 7 Уход и техническое обслуживание

### Общие сведения

Регулярно выполняйте чистку прибора. Это позволит продлить срок его службы, а также избежать многих проблем.



**ОПАСНО:**

Перед выполнением работ по обслуживанию и чистке отключите прибор от электрической сети. Существует риск поражения электрическим током!



**ОПАСНО:**

Дайте изделию остыть, прежде чем приступать к чистке. Горячие поверхности могут причинить ожоги!

- Прибор следует тщательно чистить после каждого использования. Так легче удалять остатки пищи, которые могут пригореть при следующем использовании прибора.
- Для чистки прибора не требуются специальные чистящие средства. Прибор можно вымыть теплой водой с добавлением жидким моющего средства, используя мягкую ткань или губку. А затем протереть сухой тканью.
- Обязательно протирайте прибор насухо после чистки и сразу же удаляйте попавшую на него жидкость.
- Не используйте для чистки ручки и поверхностей из нержавеющей стали чистящие средства, содержащими кислоту или хлор. Эти детали можно протирать мягкой тканью, смоченной в жидком моющем средстве (без абразивных добавок), стараясь тереть в одном направлении.



Некоторые моющие средства и чистящие материалы могут повредить поверхность.

Не используйте для чистки агрессивные моющие средства, чистящие порошки/кремы, а также острые предметы.



Не используйте для чистки устройства парочистители, поскольку это может привести к поражению электрическим током.

### Чистка варочной панели

#### Стеклокерамические поверхности

Протрите стеклокерамическую поверхность тканью, смоченной в холодной воде. Следите за тем, чтобы на ней не оставалось следов моющего средства. Вытрите поверхность насухо сухой мягкой тканью. Остатки пищи на стеклокерамической поверхности могут повредить ее при следующем включении.

Ни в коем случае не используйте для удаления со стеклокерамической поверхности засохших остатков пищи ножи с зубчатым лезвием, металлические мочалки и т.п.

Известковый налет (желтые пятна) можно удалять средствами, используемыми для удаления накипи, например, столовым уксусом или лимонным соком. Можно также использовать бытовые средства, которые продаются в торговой сети.

Для удаления сильных загрязнений нанесите моющее средство губкой и оставьте на некоторое время для воздействия. Затем очистите поверхность варочной панели влажной тканью.



Продукты, содержащие сахар, такие, как крем или сироп, нужно удалять немедленно, не дожидаясь остывания поверхности, так как они могут необратимо повредить стеклокерамическую поверхность.

Со временем может произойти изменение цвета поверхности, однако это никоим образом не влияет на ее работу.

Появление пятен и обесцвечивание стеклокерамической поверхности – это обычное явление, которые не являются признаком ее повреждения.

#### Чистка панели управления

Очистьте панель управления и ручки-регуляторы влажной тканью и вытрите насухо.



Для чистки панели управления не снимайте кнопки/ручки-регуляторы. Так можно повредить панель управления!



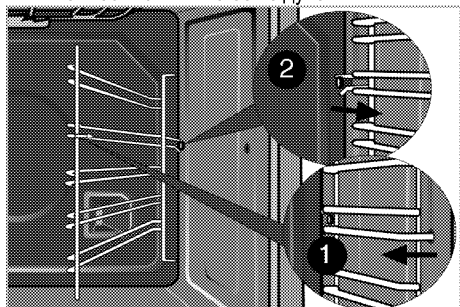
Для чистки панели управления не снимайте кнопки/ручки-регуляторы. Так можно повредить панель управления!

## Чистка духовки

### Чистка боковых стенок

(Данная функция — дополнительная. Она может отсутствовать в вашем изделии.)

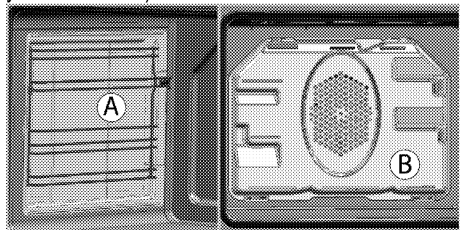
1. Снимите переднюю часть боковой решетки, оттянув ее от боковой стенки.
2. Потяните боковую решетку к себе и полностью выньте ее из духовки.



### Стенки с каталитическим покрытием

(Данная функция — дополнительная. Она может отсутствовать в вашем изделии.)

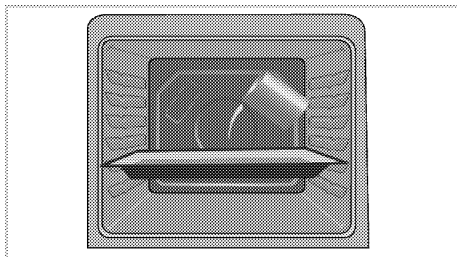
Внутренние боковые стенки (А) и (или) задняя стенка (В) вашего изделия могут быть покрыты каталитической эмалью. Стенки с каталитическим покрытием имеют светлую матовую пористую поверхность. Стенки духовки, имеющие каталитическое покрытие, не следует чистить. Пористые поверхности стенок с каталитическим покрытием самоочищаются путем впитывания и разложения пролитого жира (на воду и углекислый газ).



### Простая очистка паром

Это упрощает чистку, поскольку грязь (после кратковременного ожидания) смягчается паром, образующимся в духовом шкафу, и каплями воды, конденсирующимися на внутренних поверхностях духового шкафа.

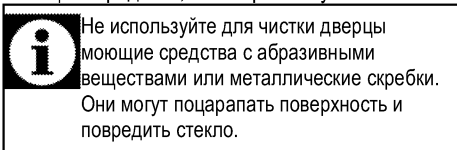
1. Выньте из духового шкафа все принадлежности.
2. Налейте в противень 500 мл воды и поместите его на 2-ю решетку духовки.



3. Установите духовку до легкого режима очистки паром и работайте на 100 °С в течение 25 минут.
4. Откройте дверцу и протрите внутренние поверхности духового шкафа влажной губкой или тканью.
5. Стойкую грязь следует удалять теплой водой с жидким моющим средством, используя мягкую ткань или губку, а после чистки следует вытирать прибор сухой тканью.

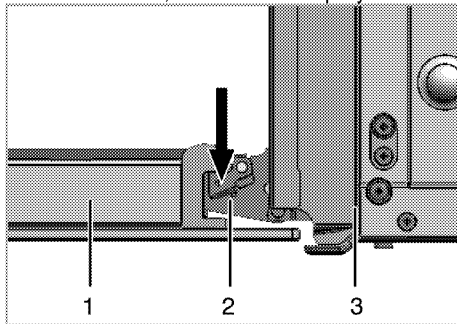
### Чистка дверцы духовки

Мойте дверцу духовки мягкой тканью или губкой, смоченной в теплой воде с добавлением жидкого моющего средства, и вытирайте сухой тканью.



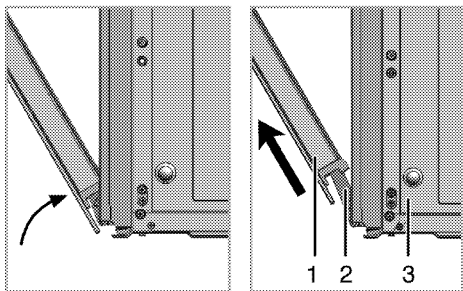
### Снятие дверцы духового шкафа

1. Откройте переднюю дверцу (1).
2. Откройте зажимы на корпусе петли (2) с правой и левой стороны передней дверцы, нажав на них, как показано на рисунке.



- 1 Передняя дверца
- 2 Петля
- 3 Духовый шкаф





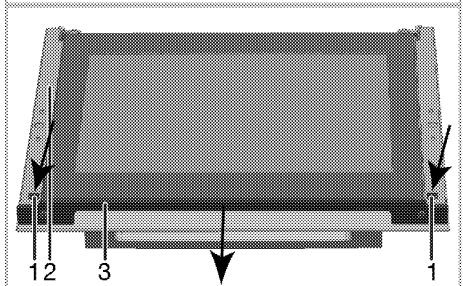
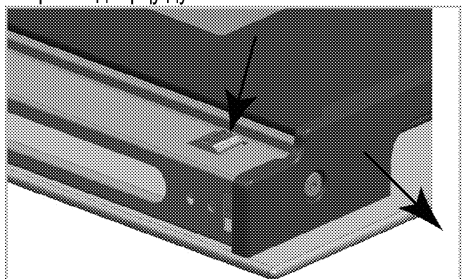
3. Откройте переднюю дверцу наполовину.
4. Снимите переднюю дверцу, потянув ее вверх и освободив от правой и левой петли.



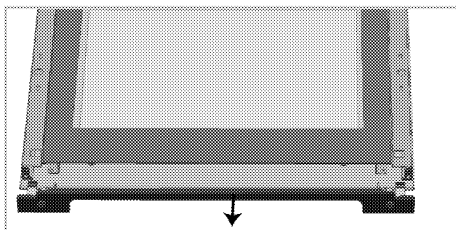
Для установки дверцы на место следует выполнить в обратном порядке действия по снятию. Не забудьте закрыть зажимы на корпусе петли при установке дверцы на место.

### Снятие внутреннего стекла дверцы (Данная функция — дополнительная. Она может отсутствовать в вашем изделии.)

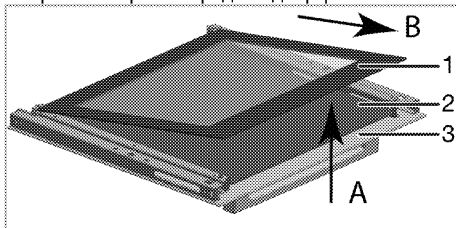
Внутреннее стекло панели дверцы духового шкафа можно снять для чистки. Откройте дверцу духовки.



- 1 Защелка
- 2 Рамка
- 3 Профиль



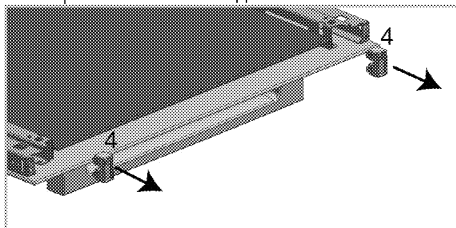
Как показано на рисунках выше, нажмите на защелку (1) и одновременно потяните профиль (3) к себе, чтобы вытащить профиль, прикрепленный к верхней стороне передней дверцы.



- 1 Панель внутреннего стекла
  - 2 Панель среднего стекла\*
  - 3 Панель внешнего стекла
- \* (Она может отсутствовать в вашем изделии.)

Как показано на рисунке, немного поднимите панель внутреннего стекла (1) в направлении **A** и сдвиньте ее в направлении **B**.

Если устройство оснащено панелью для внутреннего стекла; потяните соединительные элементы держателя стекла в центре, как показано на рисунке, чтобы вытащить их из панелей для стекла.

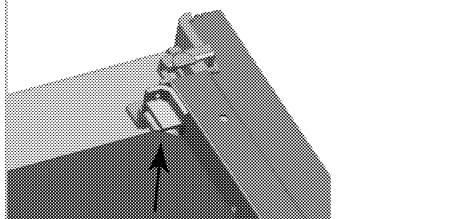


- 4 Соединительный элемент держателя стекла\*
- \* (Она может отсутствовать в вашем изделии.)

Чтобы вынуть среднее стекло (2), повторите эти же действия. При сборке дверцы сначала следует вставить среднее стекло (2).

Вставьте панель для стекла таким образом, чтобы она вошла в пластмассовый паз, как показано на рисунке.

**i** В противном случае панель для стекла не войдет полностью и будет вибрировать или сломается.



Внутреннее стекло (1) следует устанавливать таким образом, чтобы надпись на стекле была обращена к панели внутреннего стекла. Важно, чтобы нижние углы панели внутреннего стекла были вставлены в пластиковые пазы.

**i** В противном случае панель для стекла не войдет полностью и будет вибрировать или сломается.

Пожалуйста, не забудьте поместить соединительные элементы держателя стекла в соответствующие пазы.

И, наконец, нажмите на защелки профиля, чтобы они снова вошли в пазы.

### Замена лампочки освещения духового шкафа

**!** **ОПАСНО:**  
Во избежание поражения электрическим током, прежде чем заменять лампочку, убедитесь в том, что электроприбор отсоединен от сети и остыл. Горячие поверхности могут причинить ожоги!

**i** Для освещения духового шкафа используется специальная электрическая лампочка, которая может выдерживать температуру до 300 С. Дополнительные сведения см. в разделе "Технические характеристики, стр. 14". Лампочки освещения духового шкафа можно приобрести в фирменных сервисных центрах.

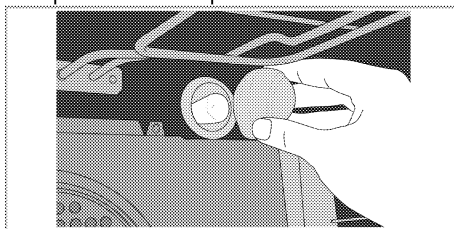
**i** Расположение лампочки может отличаться от изображения на рисунке.

**i** Лампа, используемая в этом приборе, не подходит для освещения бытовых помещений. Эта лампа предназначена для вспомогательной цели, позволяющей пользователю увидеть пищевые продукты.

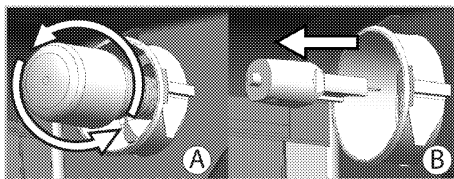
**i** Лампы, используемые в этом приборе, должны выдерживать экстремальные физические условия, например температуру выше 50 °С.

### Замена круглой лампочки освещения духового шкафа

1. Отсоедините духовой шкаф от электросети.
2. Снимите стеклянный плафон, повернув его против часовой стрелки.



3. Если в вашей духовке используется лампа типа (А), показанная на рисунке ниже, поверните ее в соответствии с рисунком, чтобы извлечь ее и заменить. Если используется лампа типа (В), потяните и извлеките ее, как показано на рисунке, и замените.



4. Установите на место стеклянный плафон.

## 8 Поиск и устранение неисправностей

### Во время работы из духового шкафа выделяется пар.

- Вполне нормально, если пар выделяется во время работы. >>> *Это не является неисправностью.*

### При нагревании и охлаждении прибор издает металлические шумы.

- При нагревании металлические детали могут расширяться и издавать звуки. >>> *Это не является неисправностью.*

### Прибор не работает.

- Плавкий предохранитель неисправен или сработал. >>> *Проверьте плавкие предохранители в блоке предохранителей. При необходимости замените их или включите.*
- Духовой шкаф не включен в (заземленную) розетку электросети. >>> *Проверьте соединение штепсельной вилки.*

### Освещение духовки не работает.

- Лампочка освещения духового шкафа неисправна. >>> *Замените лампочку освещения шкафа.*
- Нет электропитания. >>> *Проверьте наличие электропитания. Проверьте предохранители в блоке предохранителей. При необходимости замените или включите предохранители.*

### Духовка не нагревается.

- Не задана функция или температура. >>> *Выберите функцию и установите температуру с помощью переключателя функций и (или) регулятора температуры.*
- В моделях, оснащенных таймером, таймер не установлен. >>> *Установите время.* (В моделях с микроволновой печью управление по таймеру действует только для микроволновой печи).
- Нет электропитания. >>> *Проверьте наличие электропитания. Проверьте предохранители в блоке предохранителей. При необходимости замените или включите предохранители.*

### (В моделях с таймером) Цифровой индикатор времени мигает, или светится символ часов.

- Ранее произошло отключение электроэнергии. >>> *Установите время / Выключите духовой шкаф и включите снова.*



Если вы не можете устранить неполадки, несмотря на выполнение инструкций, приведенных в данном разделе, обратитесь к представителю авторизованной сервисной службы. Не пытайтесь самостоятельно отремонтировать неисправный электроприбор.

Изготовитель: «Arçelik A.S.»

Юридический адрес: Караач Джаддеси № 2-6 34445 Сютлюдже Стамбул, Турция  
(Karaağaç Caddesi No:2-6 Sütlüce, 34445, Turkey)

Произведено в Турции

Импортер на территории РФ: ООО «БЕКО»

Юридический адрес: 601021 Россия, Владимирская обл., Киржачский р-н, МОСП Першинское, дер. Федоровское, ул. Сельская, д. 49.

Информацию о сертификации продукта Вы можете уточнить, позвонив на горячую линию 8-800-200-23-56.

Дата производства включена в серийный номер продукта, указанный на этикетке, расположенной на продукте, а именно: первые две цифры серийного номера обозначают год производства, а последние две – месяц. Например, "10-100001-05" обозначает, что продукт произведен в мае 2010 года.

Изготовитель оставляет за собой право на внесение изменений в конструкцию, дизайн и комплектацию электроприбора.

